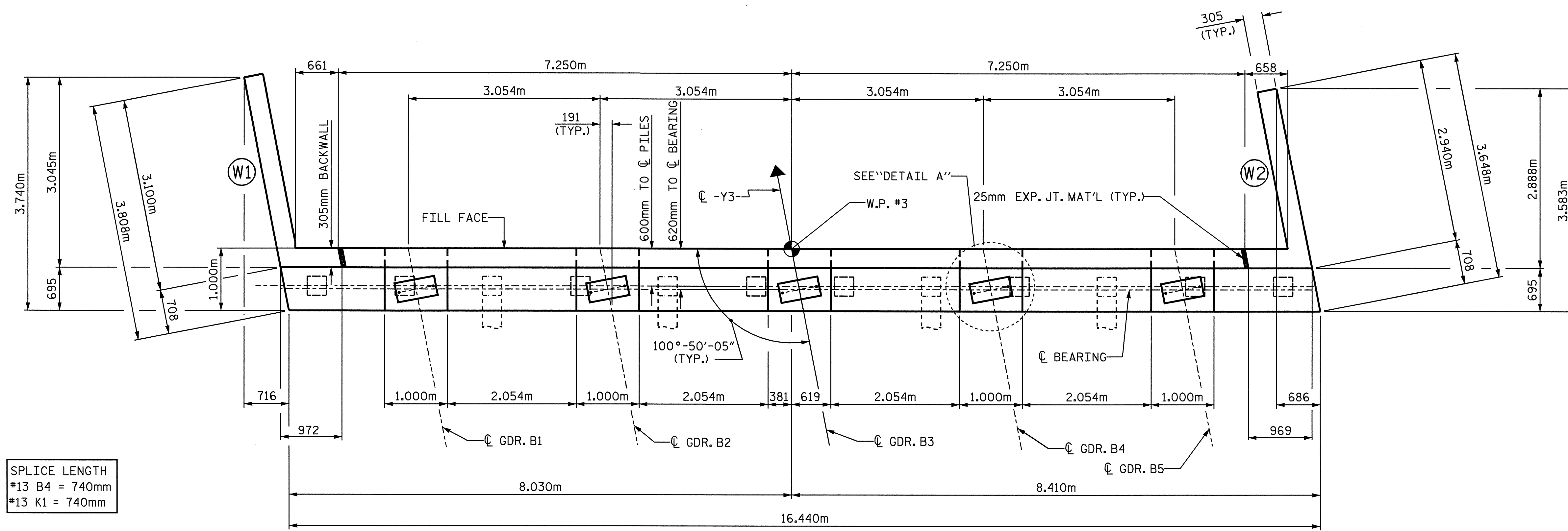


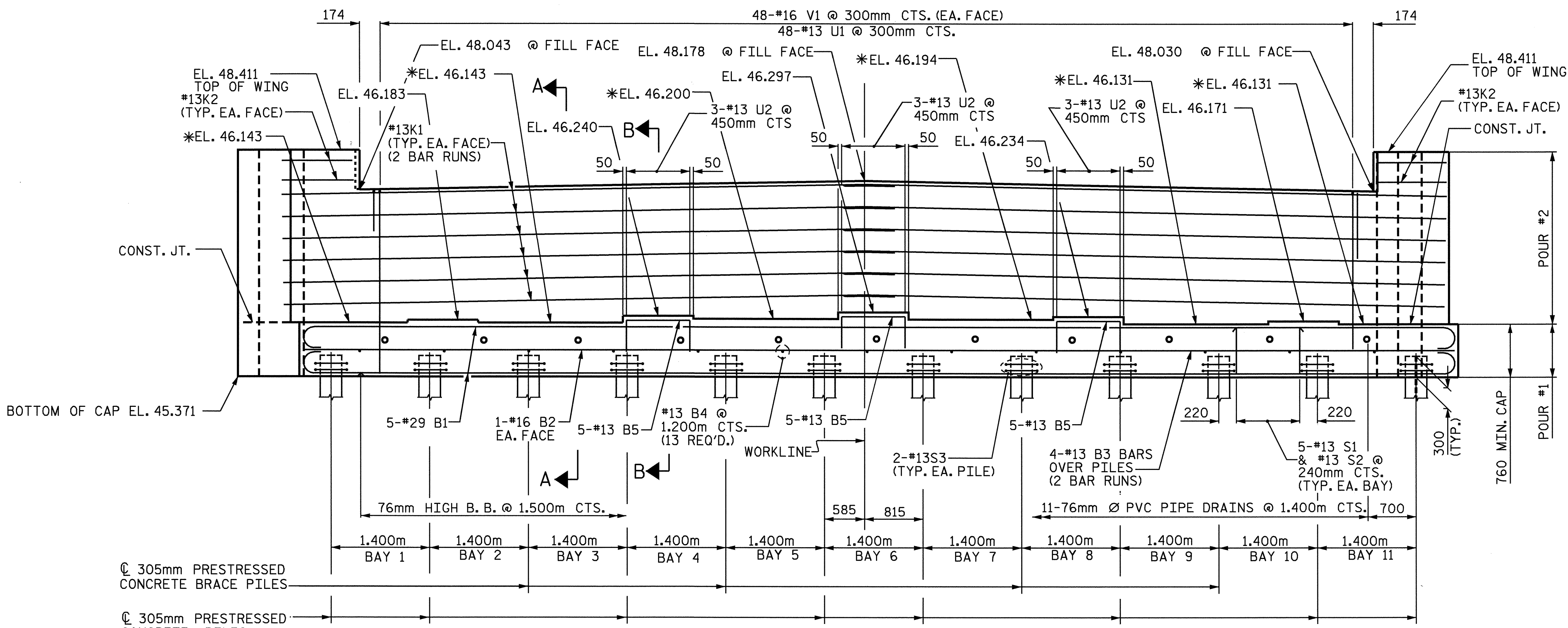
NOTES

- STIRRUPS IN CAP MAY BE SHIFTED AS NECESSARY TO CLEAR ANCHOR BOLTS.
- FOR EPOXY PROTECTIVE COATING, SEE SPECIAL PROVISIONS.
- PIPE DRAINS MAY BE SHIFTED SLIGHTLY AS NECESSARY TO CLEAR REINFORCING STEEL AND ANCHOR BOLTS.
- BACKWALL SHALL BE PLACED BEFORE APPLYING THE EPOXY PROTECTIVE COATING.
- THE TOP SURFACE OF THE CAP EXCEPT THE BRIDGE SEAT BUILDUPS SHALL BE SLOPED TRANSVERSELY FROM THE FILL FACE TO THE BACK FACE AT THE RATE OF 2%.
- *FOR LOCATION OF ELEVATIONS BETWEEN BRIDGE SEAT BUILDUPS, SEE SECTION A-A & SECTION B-B, SHEET 2 OF 3.
- CONCRETE DISPLACED BY CONCRETE PILES HAS BEEN DEDUCTED FROM THE TOTAL CONCRETE QUANTITY.
- THE TOP SURFACE AREAS OF THE END BENT CAPS SHALL BE CURED IN ACCORDANCE WITH THE STANDARD SPECIFICATIONS EXCEPT THE MEMBRANE CURING COMPOUND METHOD SHALL NOT BE USED.
- THE CONTRACTOR SHALL PROVIDE FOR INSTALLATION OF THE 102mm DIAMETER DRAIN PIPE THROUGH THE WING WALL AS REQUIRED FOR REINFORCED BRIDGE APPROACH FILLS, SEE THE ROADWAY PLANS. REINFORCING STEEL IN THE WING WALL MAY BE SHIFTED AS NECESSARY TO CLEAR THE DRAIN PIPE.



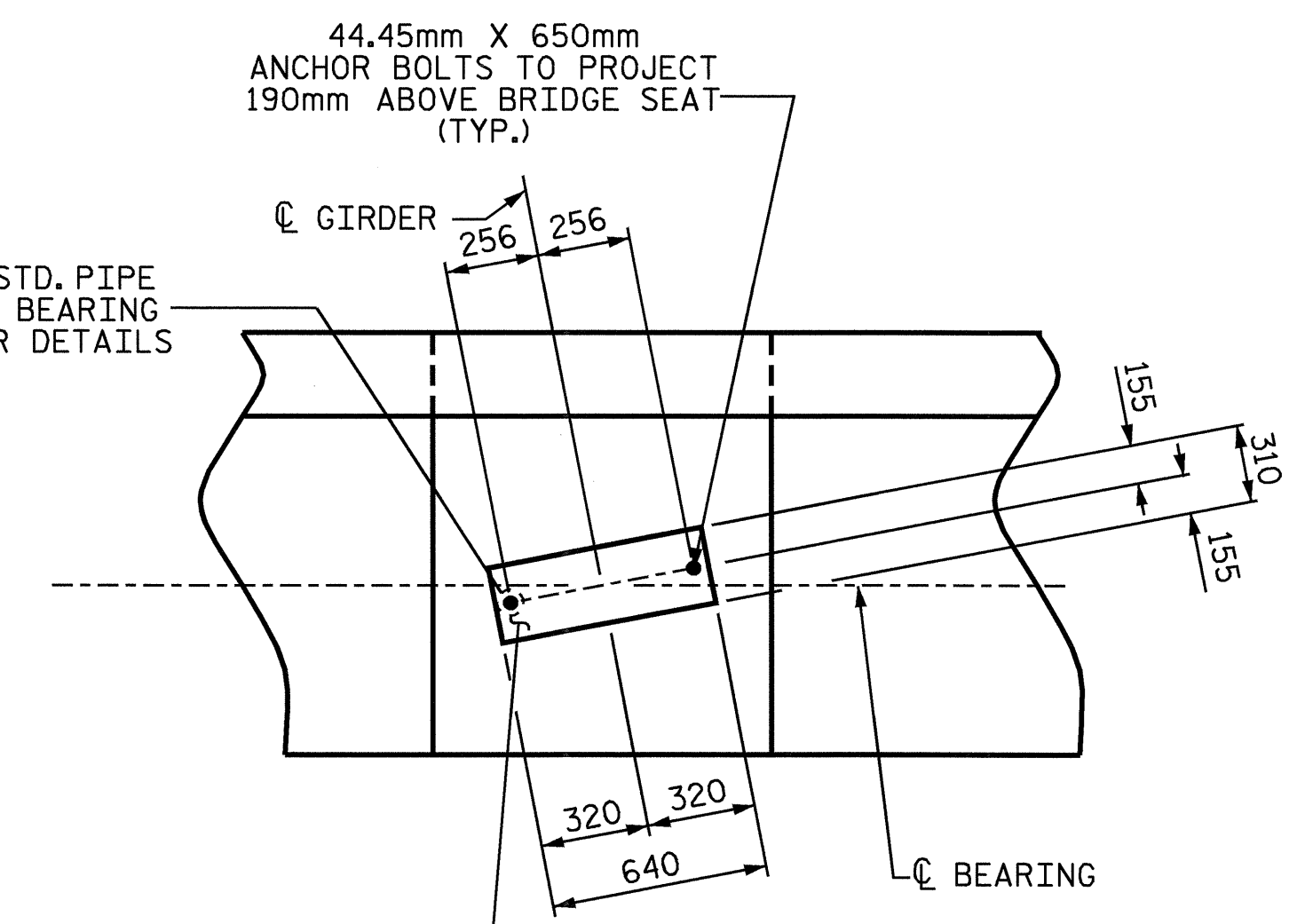
SPLICE LENGTH
#13 B4 = 740mm
#13 K1 = 740mm

PLAN



ELEVATION

102mm Ø X 467mm STD. PIPE
SEE 'ELASTOMERIC BEARING
DETAILS' SHEET FOR DETAILS



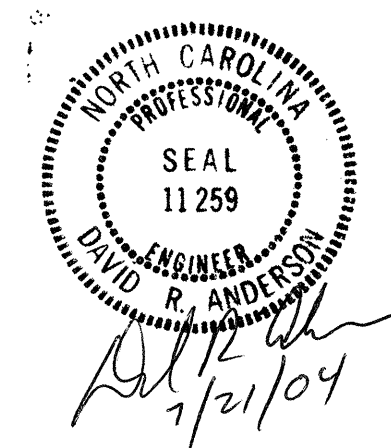
DETAIL A

PROJECT NO. R-513C
ROBESON COUNTY
STATION: 17+37.086 -Y3-

SHEET 1 OF 3

STATE OF NORTH CAROLINA
DEPARTMENT OF TRANSPORTATION
RALEIGH

**SUBSTRUCTURE
END BENT 2**



REVISIONS						TOTAL SHEETS
NO.	BY:	DATE:	NO.	BY:	DATE:	312
1			3			TOTAL SHEETS 312
2			4			

DRAWN BY : S. M. RASHIDI DATE : 9/5/02
CHECKED BY : K. P. SEDAI DATE : 9/17/02