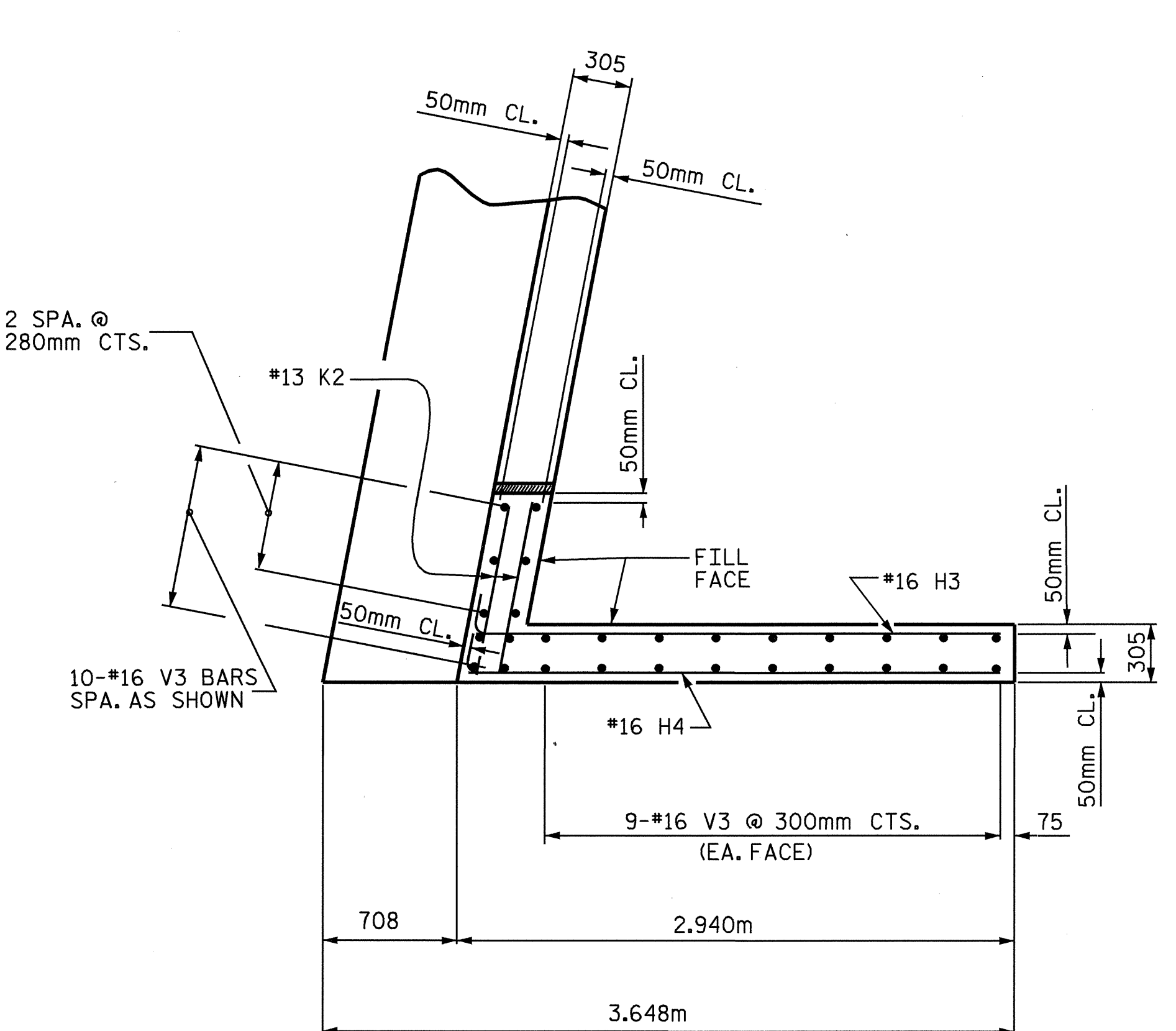
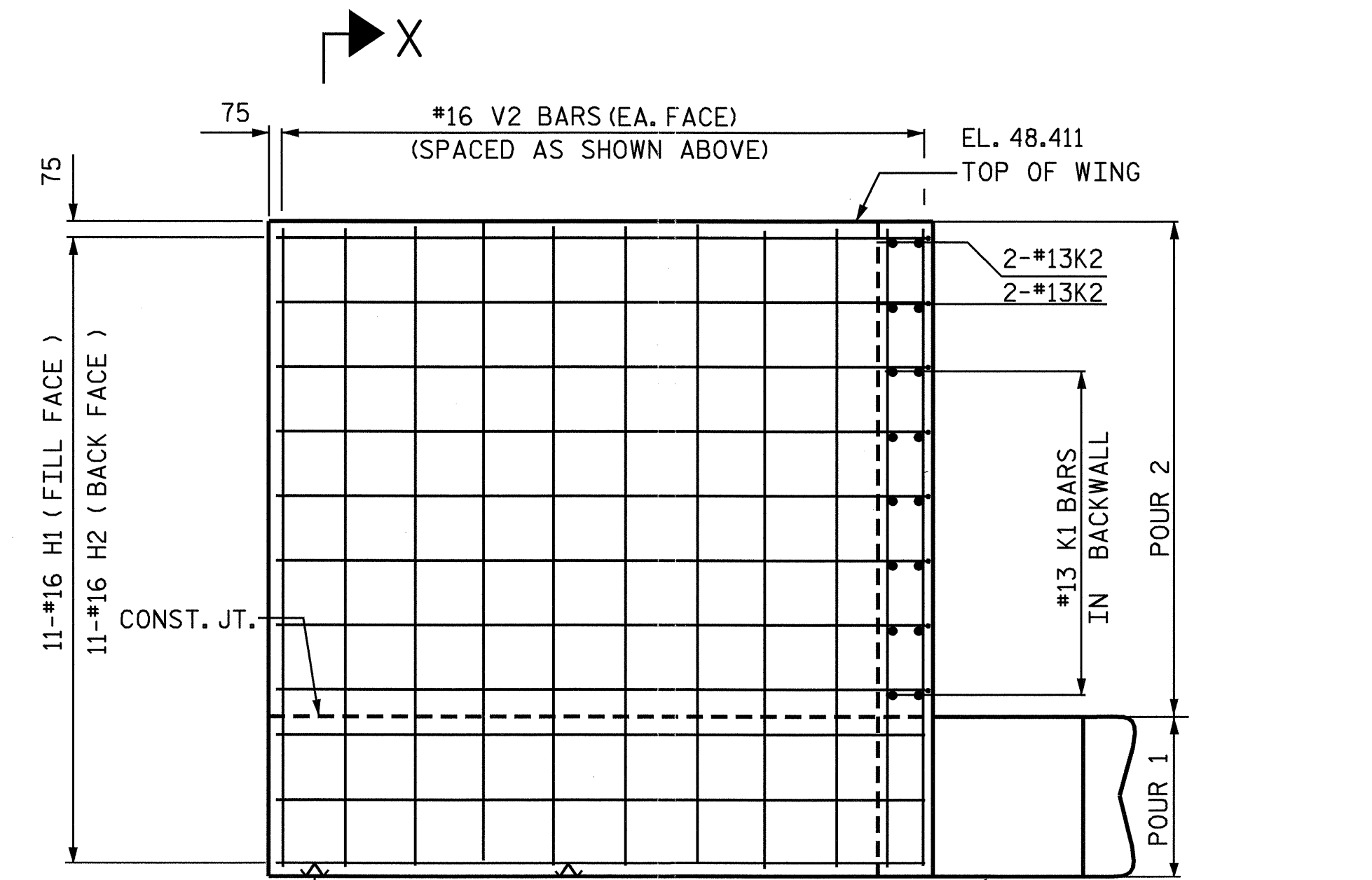


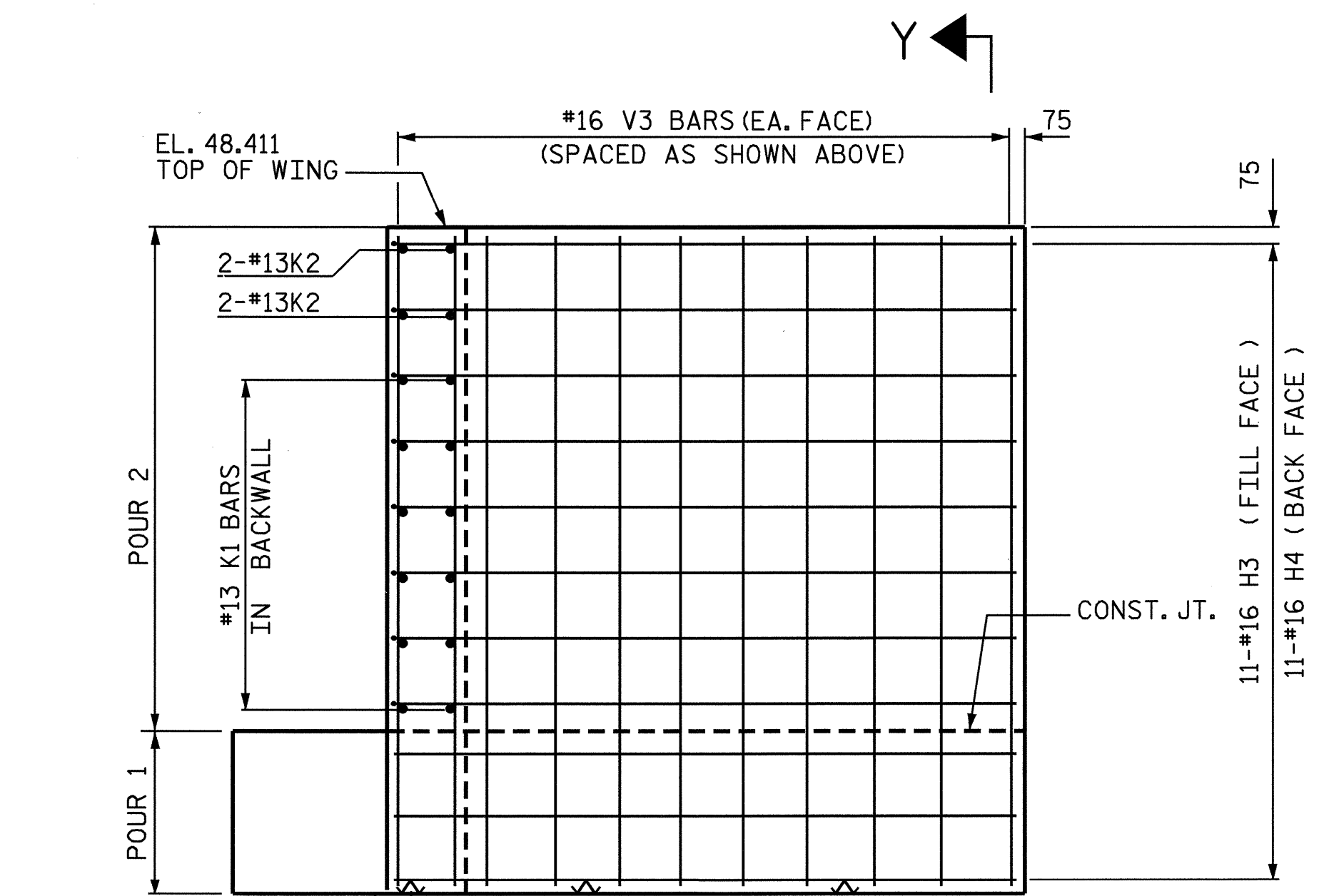
PLAN OF WING W1



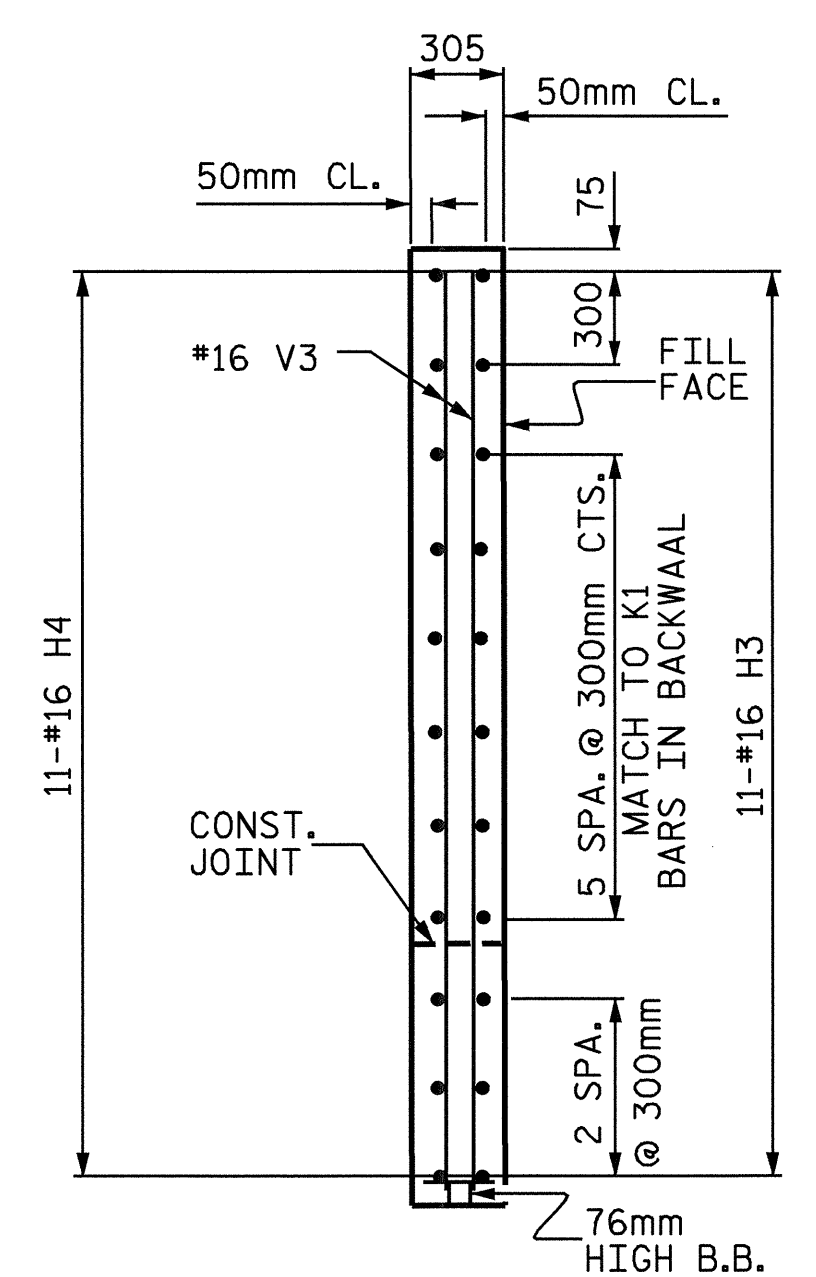
PLAN OF WING W2



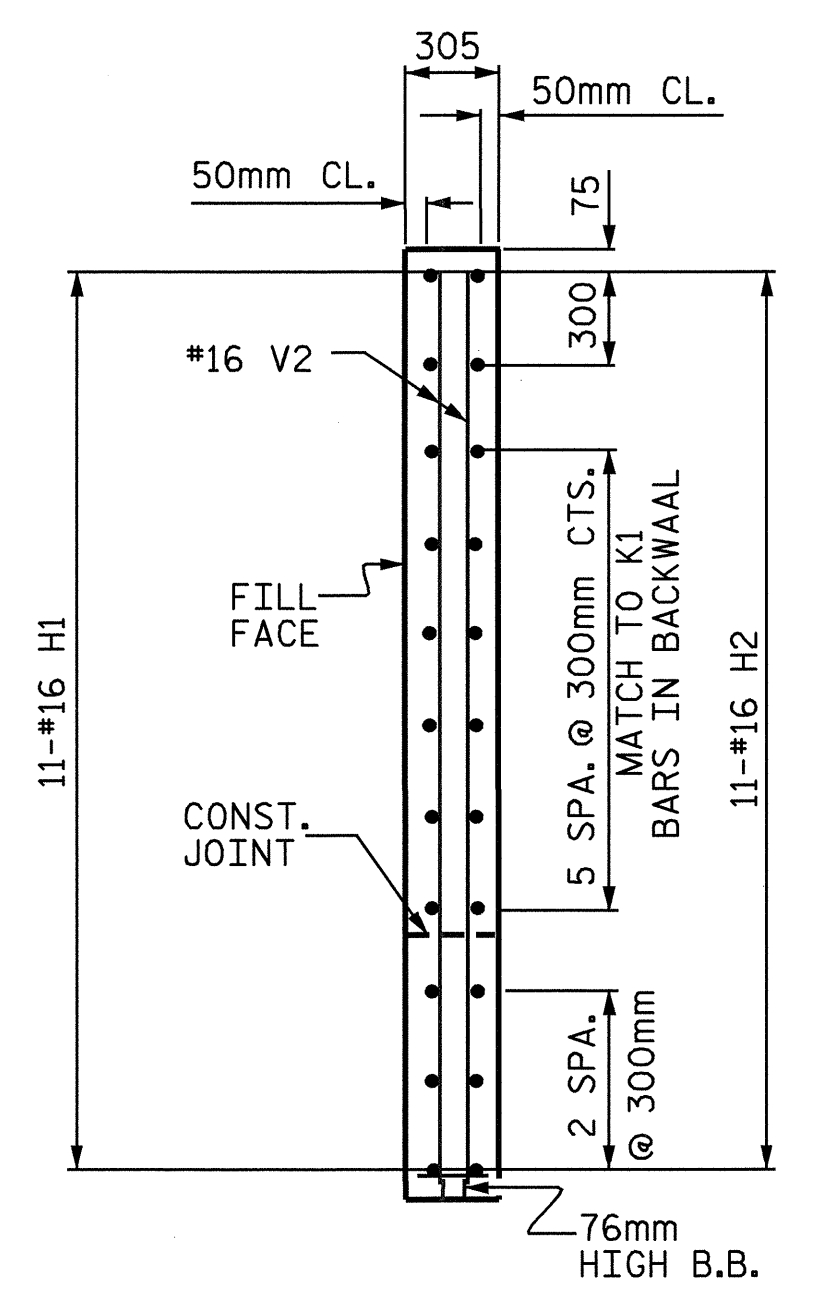
ELEVATION OF WING W1



ELEVATION OF WING W2



SECTION Y-Y



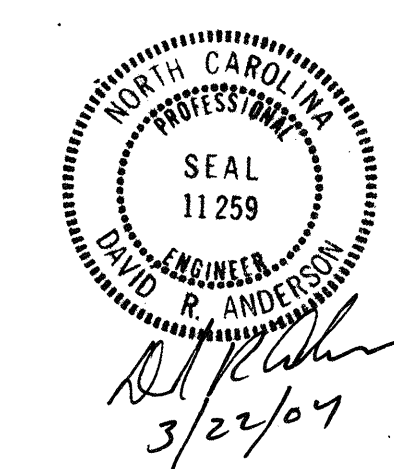
SECTION X-X

PROJECT NO. R-513C  
ROBESON COUNTY  
 STATION: 17+37.086 -Y3-

SHEET 2 OF 3

STATE OF NORTH CAROLINA  
 DEPARTMENT OF TRANSPORTATION  
 RALEIGH

SUBSTRUCTURE  
 END BENT 2



DRAWN BY: S. M. RASHIDI DATE: 9/6/02  
 CHECKED BY: K. P. SEDAI DATE: 9/17/02

REVISIONS					SHEET NO.
NO.	BY:	DATE:	NO.	BY:	DATE:
1			3		
2			4		

TOTAL SHEETS: 312