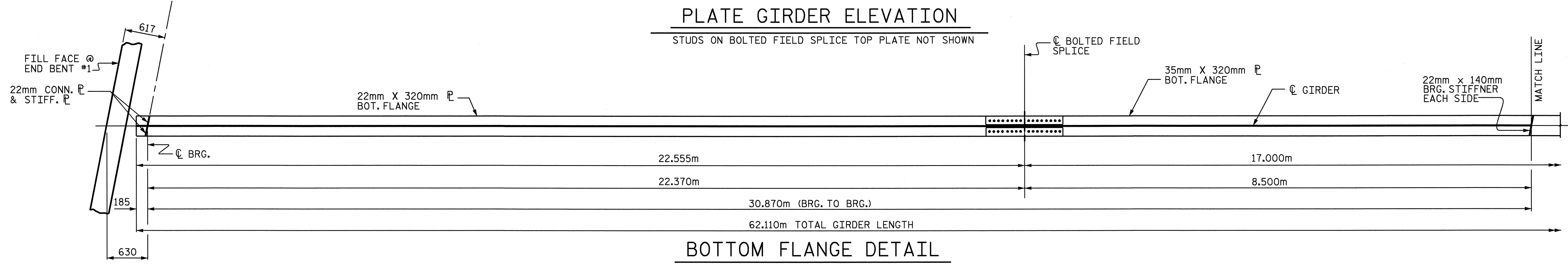
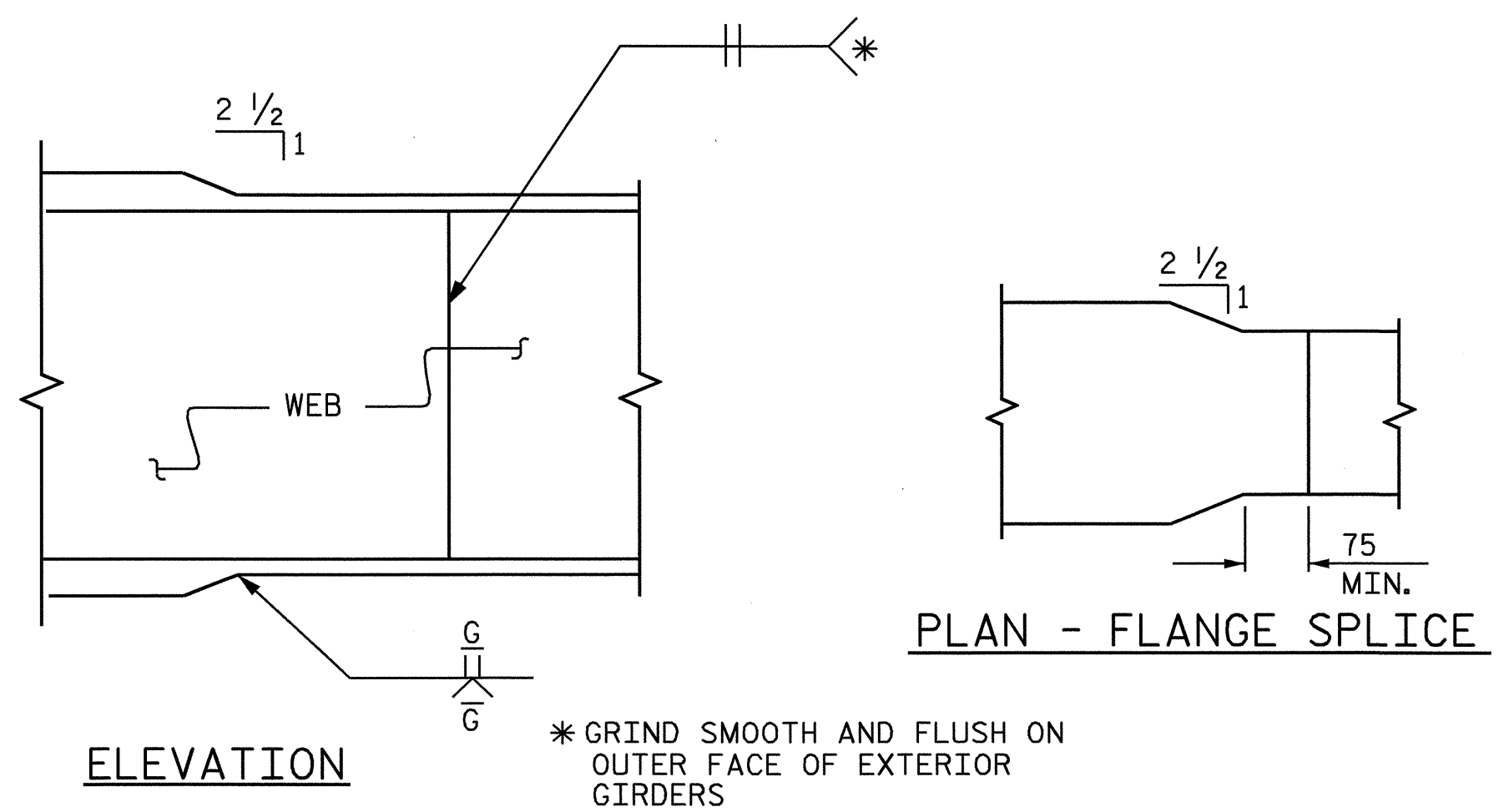


PLATE GIRDER ELEVATION

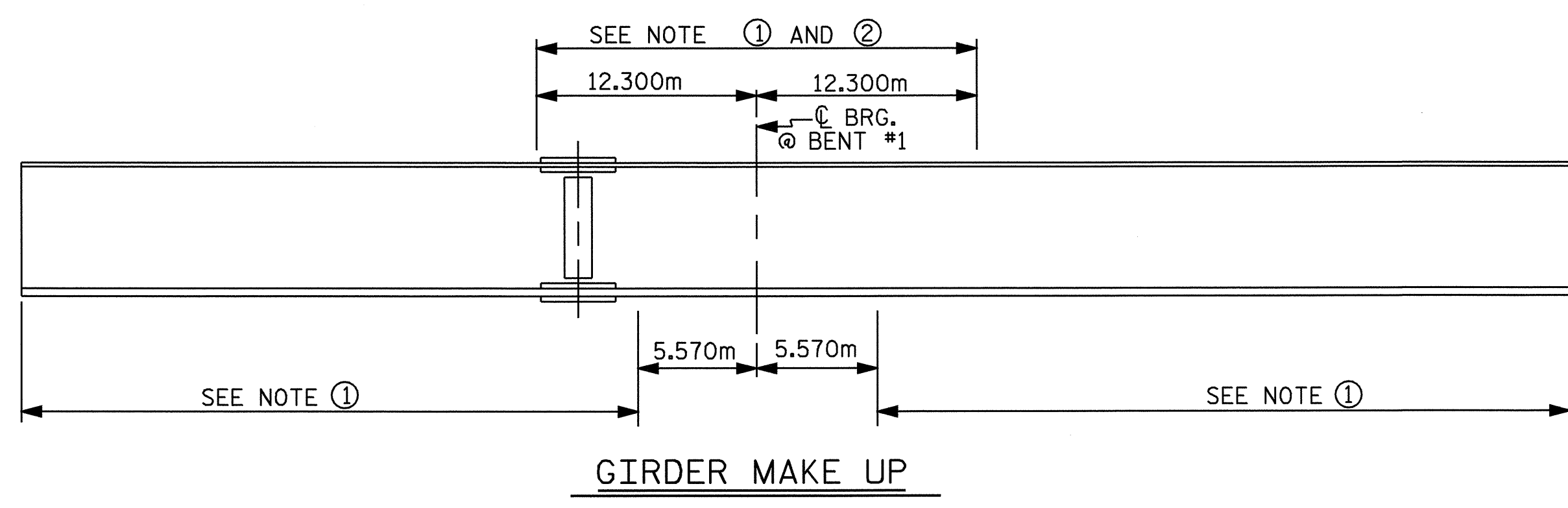
STUDS ON BOLTED FIELD SPLICE TOP PLATE NOT SHOWN



BOTTOM FLANGE DETAIL



TYPICAL FLANGE AND WEB BUTT JOINT



NOTE ① : CHАРY V-NOTCH TESTS ARE REQUIRED FOR ALL TOP OR BOTTOM FLANGE PLATES WHICH FALL WITHIN THESE LIMITS, ALL WEB PLATES, AND ALL SPLICE PLATES. IF A PERMITTED SHOP FLANGE SPLICE IS NOT USED, CHАРY V-NOTCH TESTS WILL BE REQUIRED FOR THE ENTIRE FLANGE PLATE. FOR CHАРY V-NOTCH TESTS, SEE ARTICAL 1072-9 OF THE STANDARD SPECIFICATIONS.

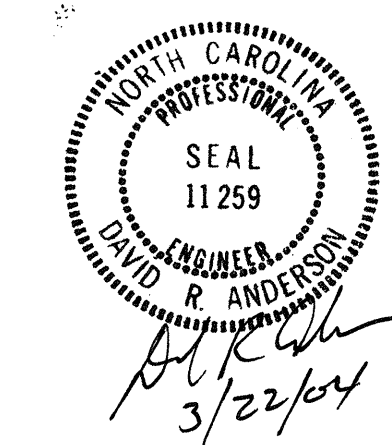
NOTE ② : NO WELDING OF FORMS OR FALSEWORK TO THE TOP FLANGE WILL BE PERMITTED IN THIS REGION.

CHАРY V-NOTCH TESTS FOR CONTINUOUS PLATE GIRDERS

PROJECT NO. R-513C
ROBESON COUNTY
 STATION: 298+57.237 -L-

SHEET 1 OF 4

STATE OF NORTH CAROLINA
 DEPARTMENT OF TRANSPORTATION
 RALEIGH
 SUPERSTRUCTURE
 STRUCTURAL
 STEEL DETAILS
 SPAN A



REVISIONS						SHEET NO. 5-254
NO.	BY:	DATE:	NO.	BY:	DATE:	
1			3			TOTAL SHEETS 312
2			4			

DRAWN BY : S. M. RASHIDI DATE : 9/7/01
 CHECKED BY : N. Q. TRAN DATE : 10/8/02