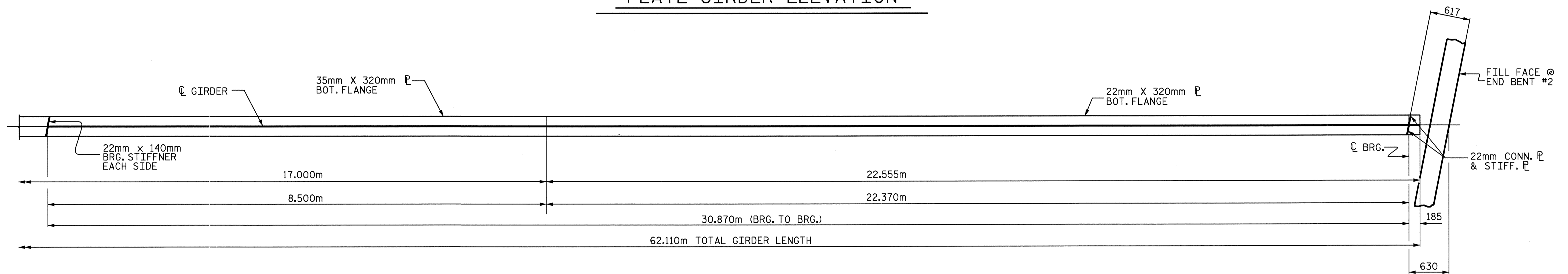
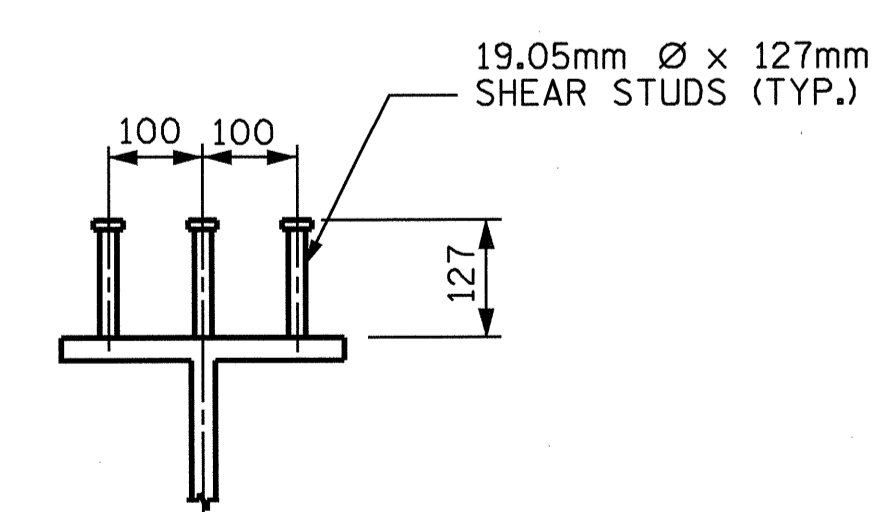


PLATE GIRDER ELEVATION



BOTTOM FLANGE DETAIL



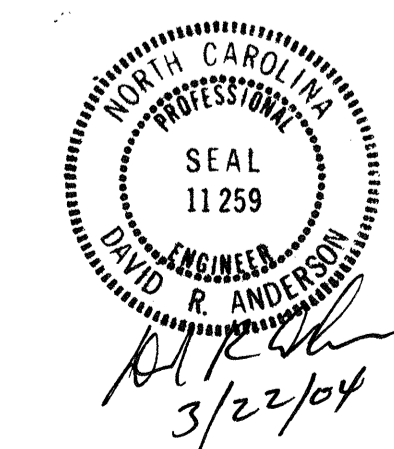
SHEAR STUD DETAILS

PROJECT NO. R-513C  
ROBESON COUNTY  
 STATION: 298+57.237 -L-

SHEET 2 OF 4

STATE OF NORTH CAROLINA  
 DEPARTMENT OF TRANSPORTATION  
 RALEIGH

SUPERSTRUCTURE  
 STRUCTURAL  
 STEEL DETAILS  
 SPAN B



REVISIONS			SHEET NO.		
NO.	BY:	DATE:	NO.	BY:	DATE:
1			3		
2			4		

TOTAL SHEETS 312

DRAWN BY: S. M. RASHIDI DATE: 9/7/01  
 CHECKED BY: N. Q. TRAN DATE: 10/8/02