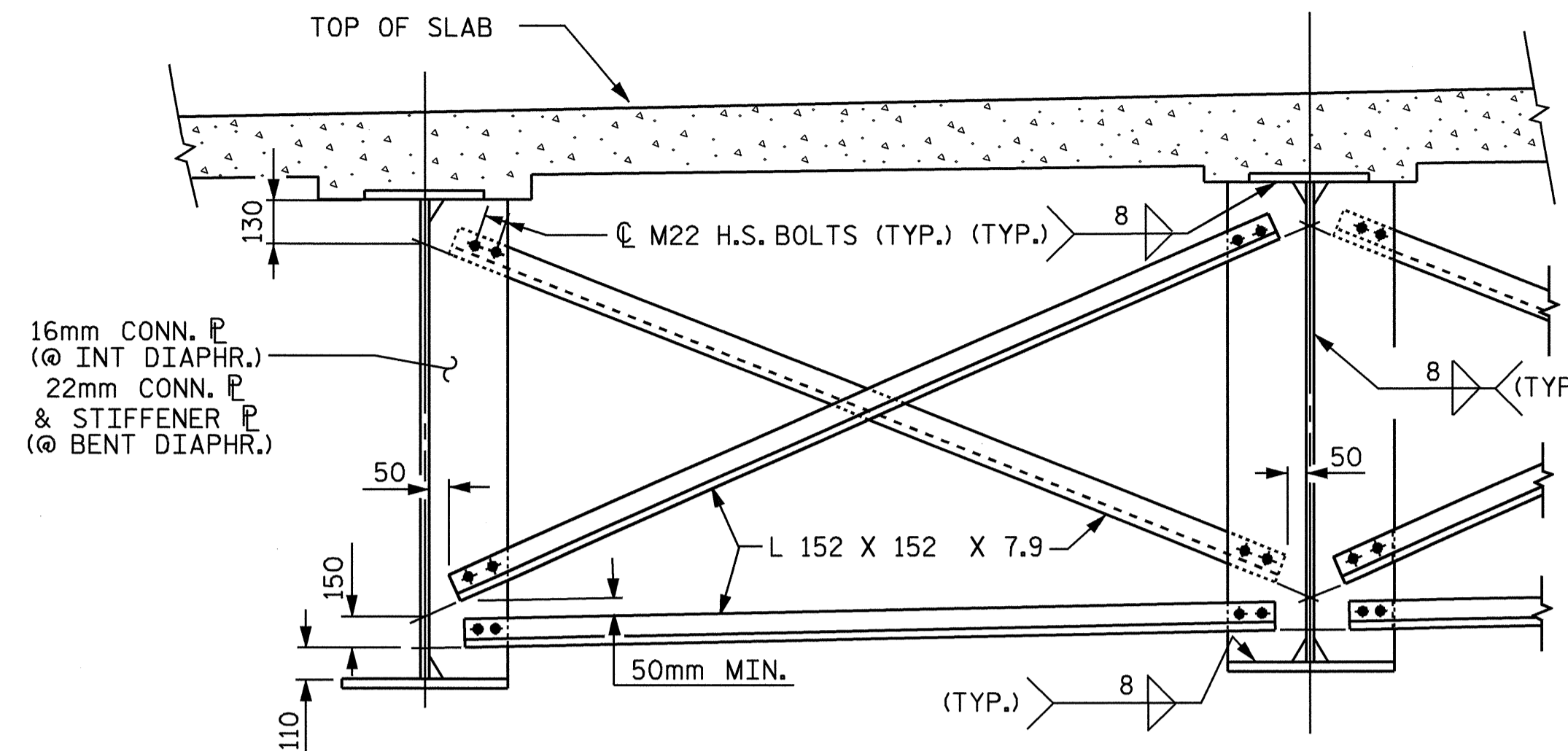
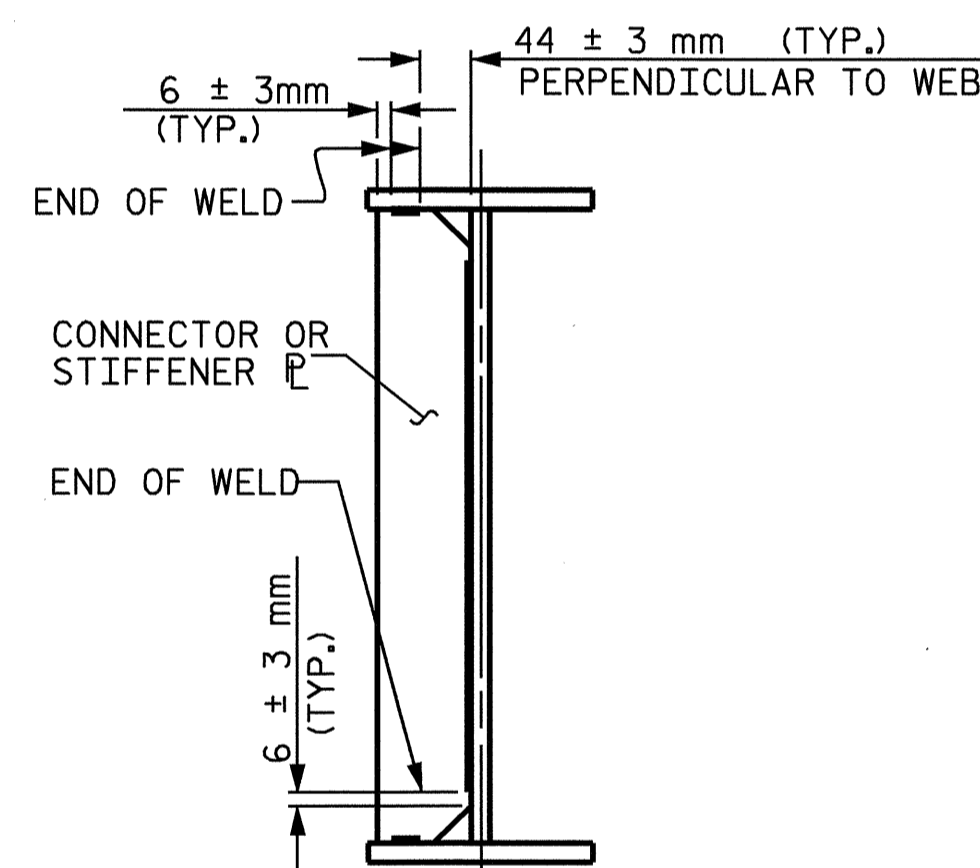


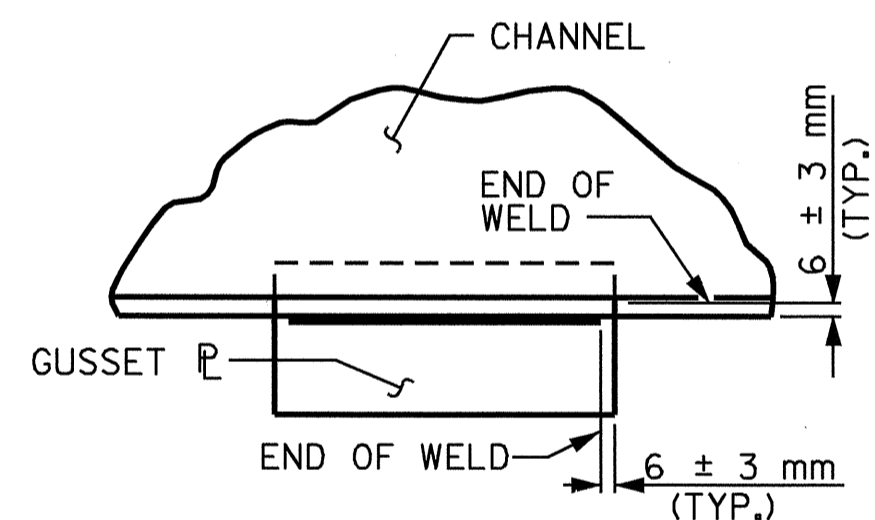
TYPICAL END BENT DIAPHRAGM (D1)



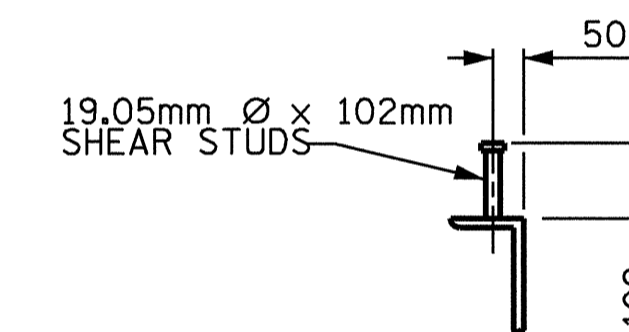
TYPICAL INTERMEDIATE & BENT DIAPHRAGM (D2)



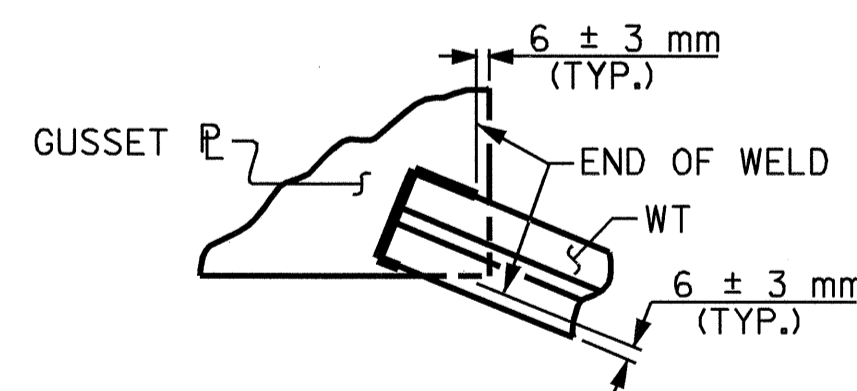
TYPICAL STIFFENER OR CONNECTOR PLATE CONNECTIONS



TYPICAL GUSSET PLATE CONNECTION

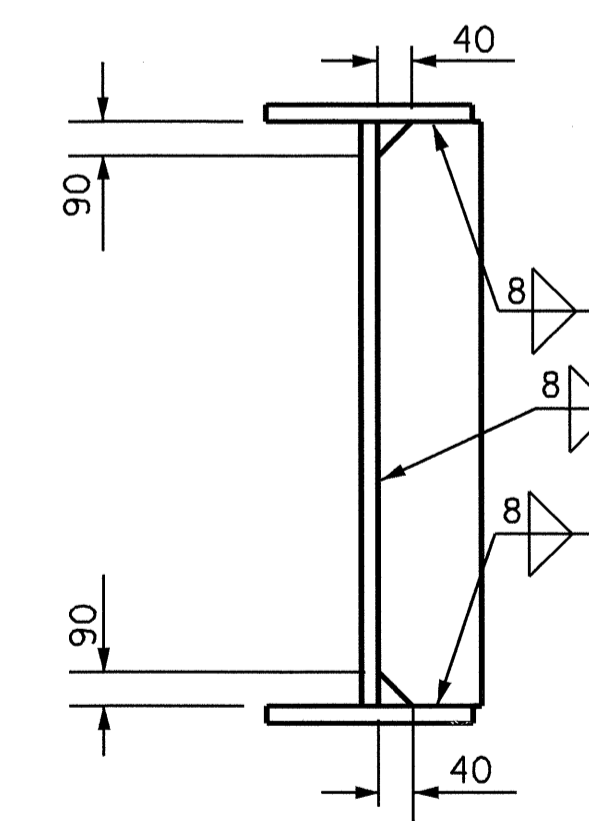


SHEAR STUD DETAILS

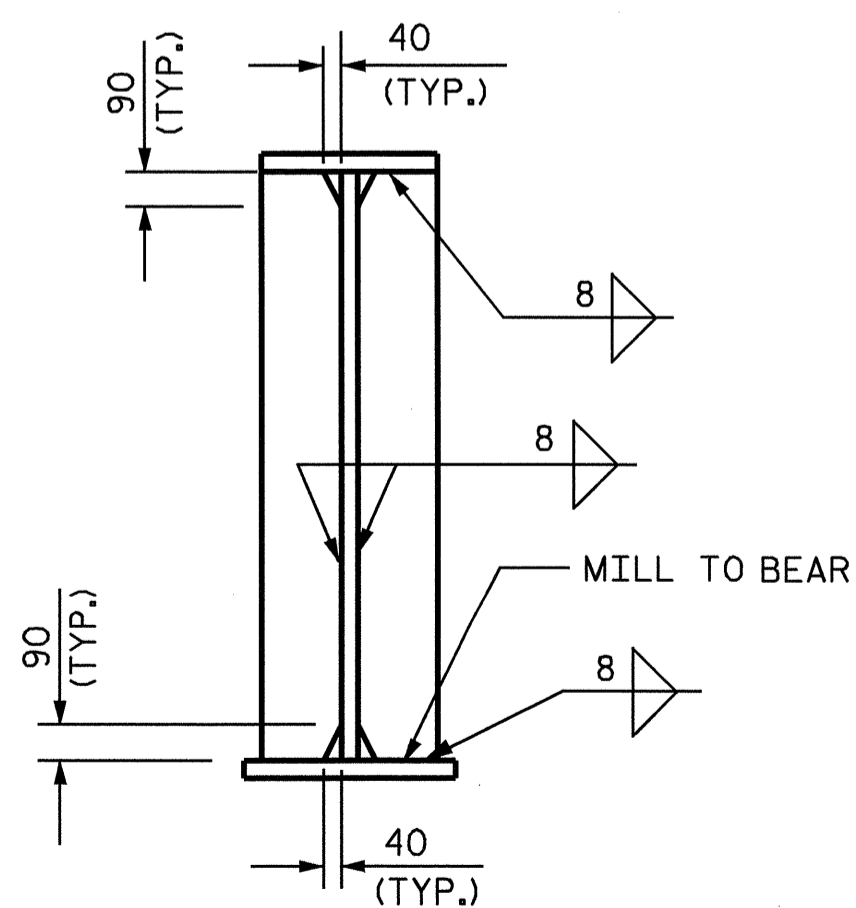


TYPICAL "TEE" TO GUESSET PLATE CONNECTION

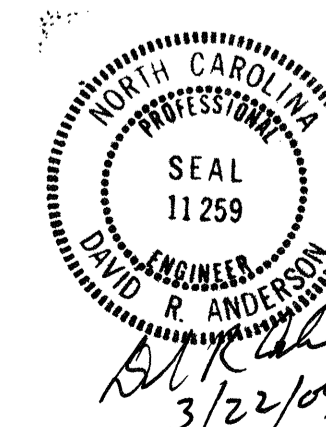
WELD TERMINATION DETAILS



CONNECTOR PLATE



BEARING STIFFENER & CONNECTOR PLATE



PROJECT NO. R-513C
ROBESON COUNTY
 STATION: 298+57.237 -L-

SHEET 3 OF 4

STATE OF NORTH CAROLINA
 DEPARTMENT OF TRANSPORTATION
 RALEIGH
 SUPERSTRUCTURE
 STRUCTURAL
 STEEL DETAILS

DRAWN BY : S. M. RASHIDI DATE : 9/7/01
 CHECKED BY : N. Q. TRAN DATE : 10/8/02

REVISIONS						SHEET NO.	
NO.	BY:	DATE:	NO.	BY:	DATE:	5-256	
1			3			TOTAL SHEETS	
2			4			312	