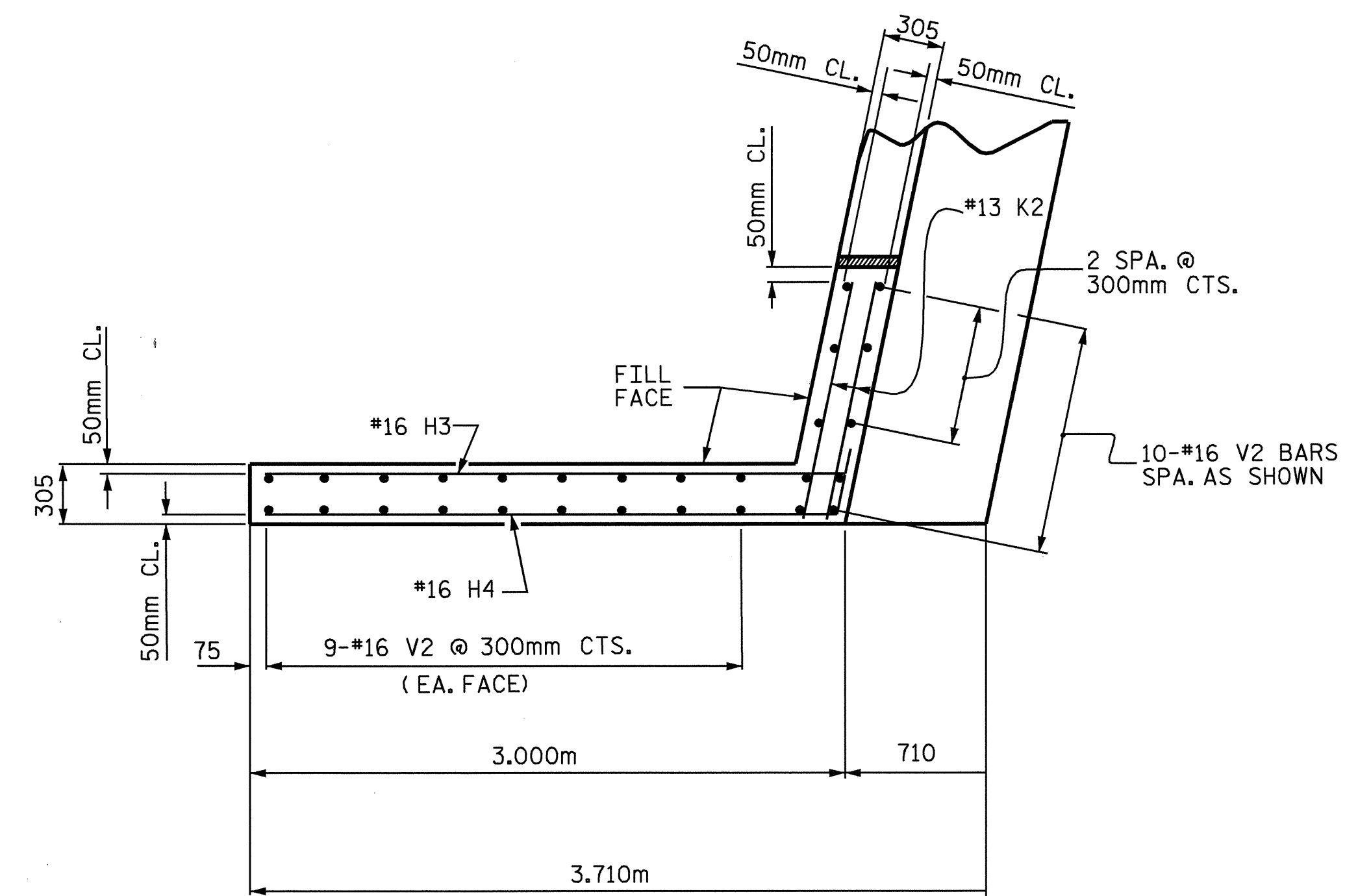
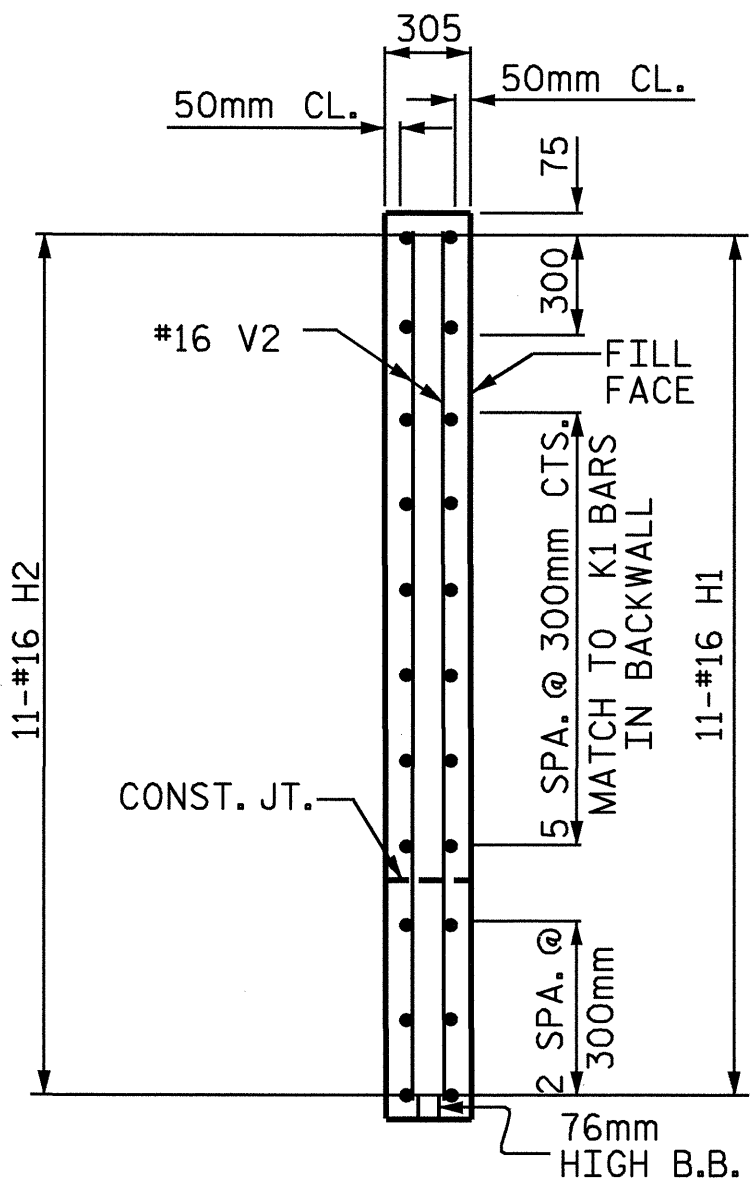


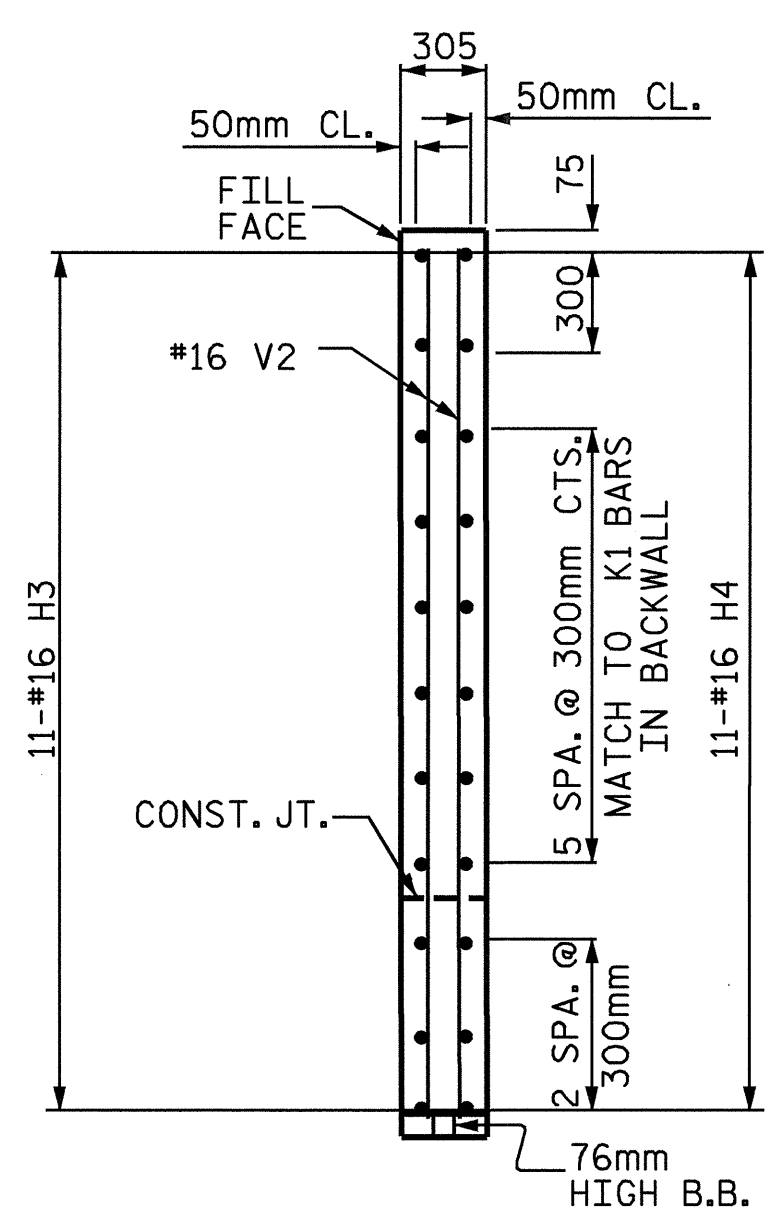
PLAN OF WING W1



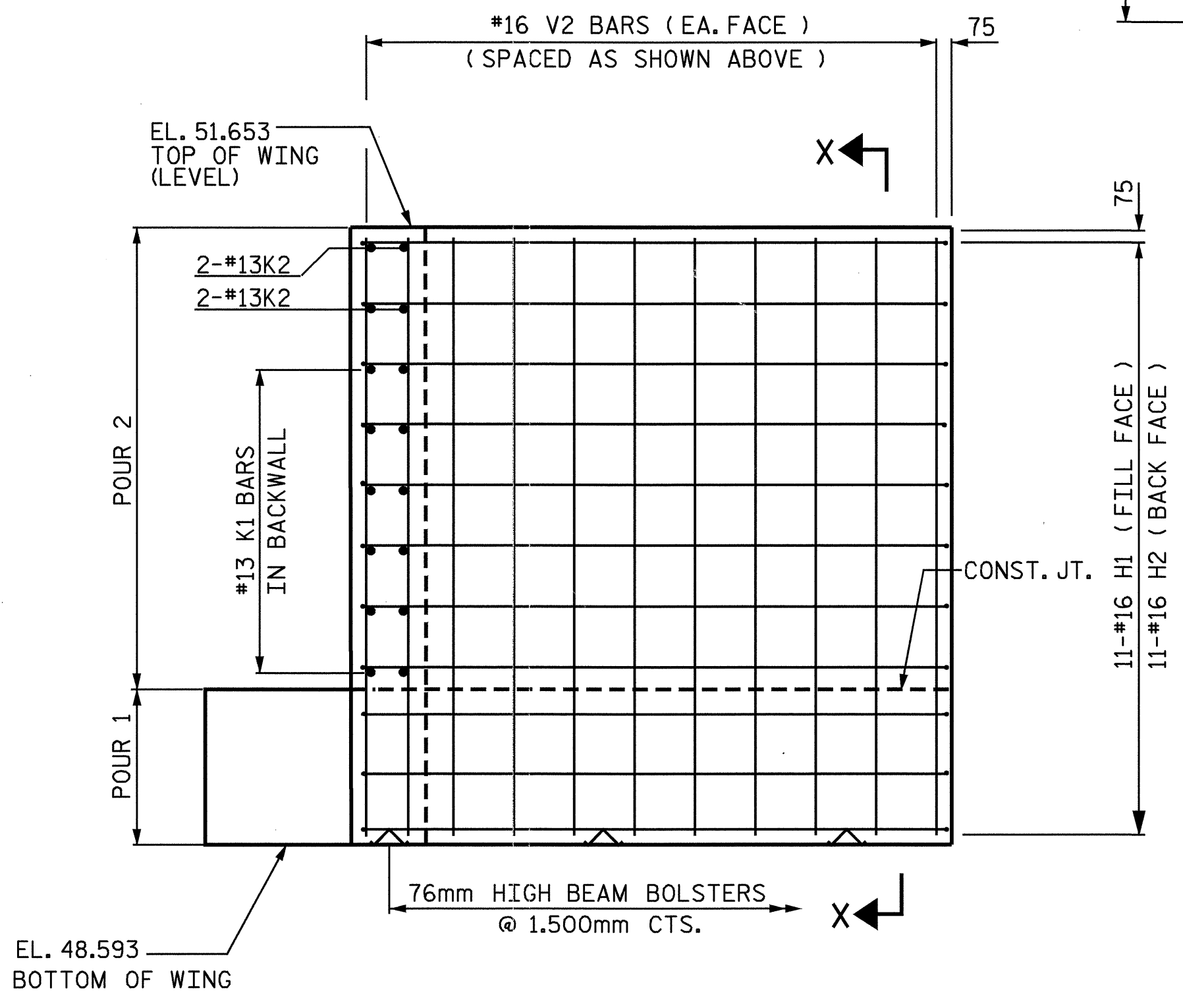
PLAN OF WING W2



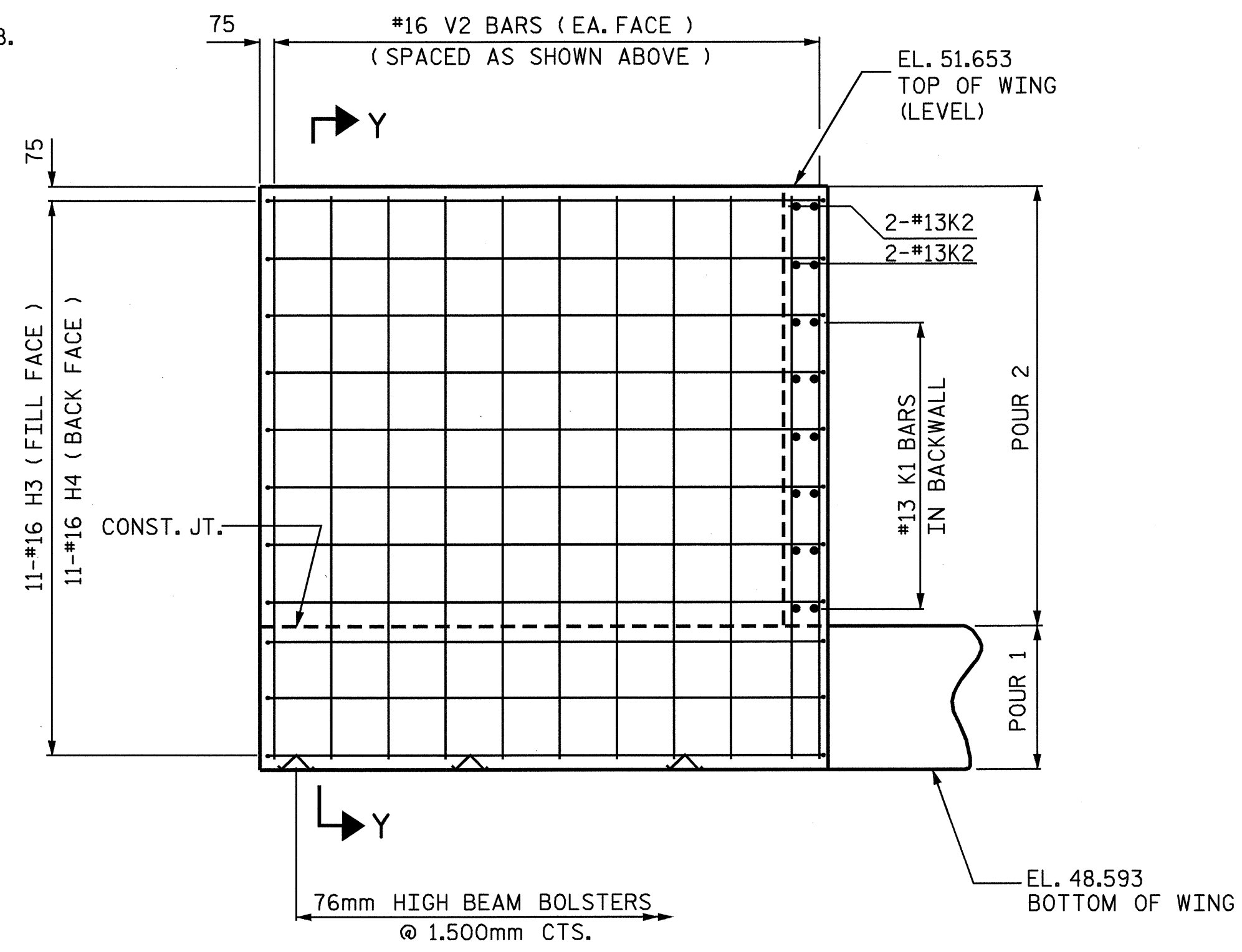
SECTION X-X



SECTION Y-Y



ELEVATION OF WING W1



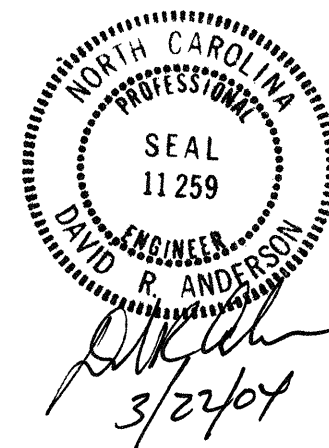
ELEVATION OF WING W2

PROJECT NO. R-513C
ROBESON COUNTY
STATION: 298+57.237 -L-

SHEET 2 OF 3

STATE OF NORTH CAROLINA
DEPARTMENT OF TRANSPORTATION
RALEIGH

SUBSTRUCTURE
END BENT 1



REVISIONS					SHEET NO. S-267
NO.	BY:	DATE:	NO.	DATE:	
1			3		TOTAL SHEETS 312
2			4		

DRAWN BY : S. M. RASHIDI DATE 8/01/02
CHECKED BY : K. P. SEDAI DATE 8/16/02