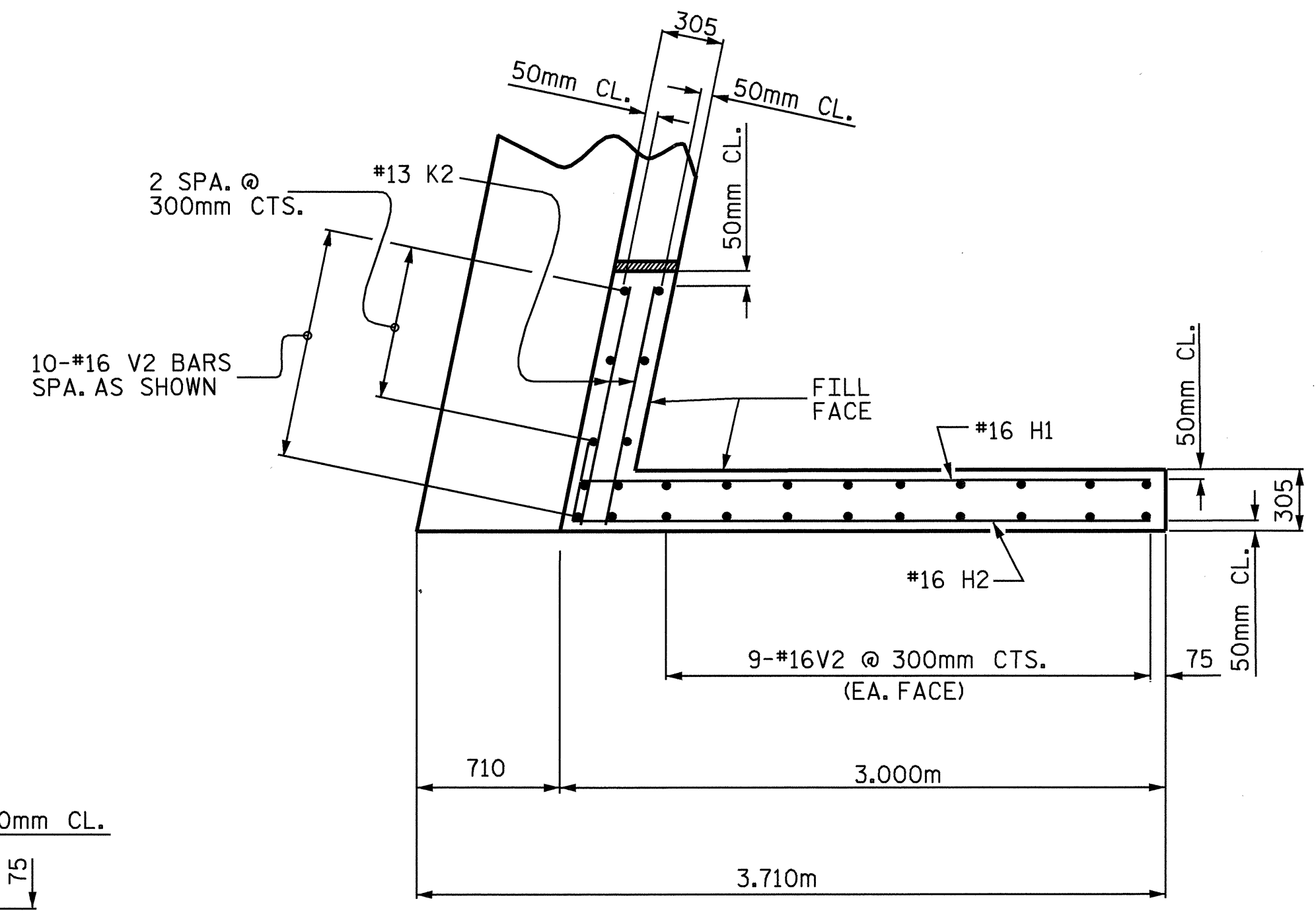
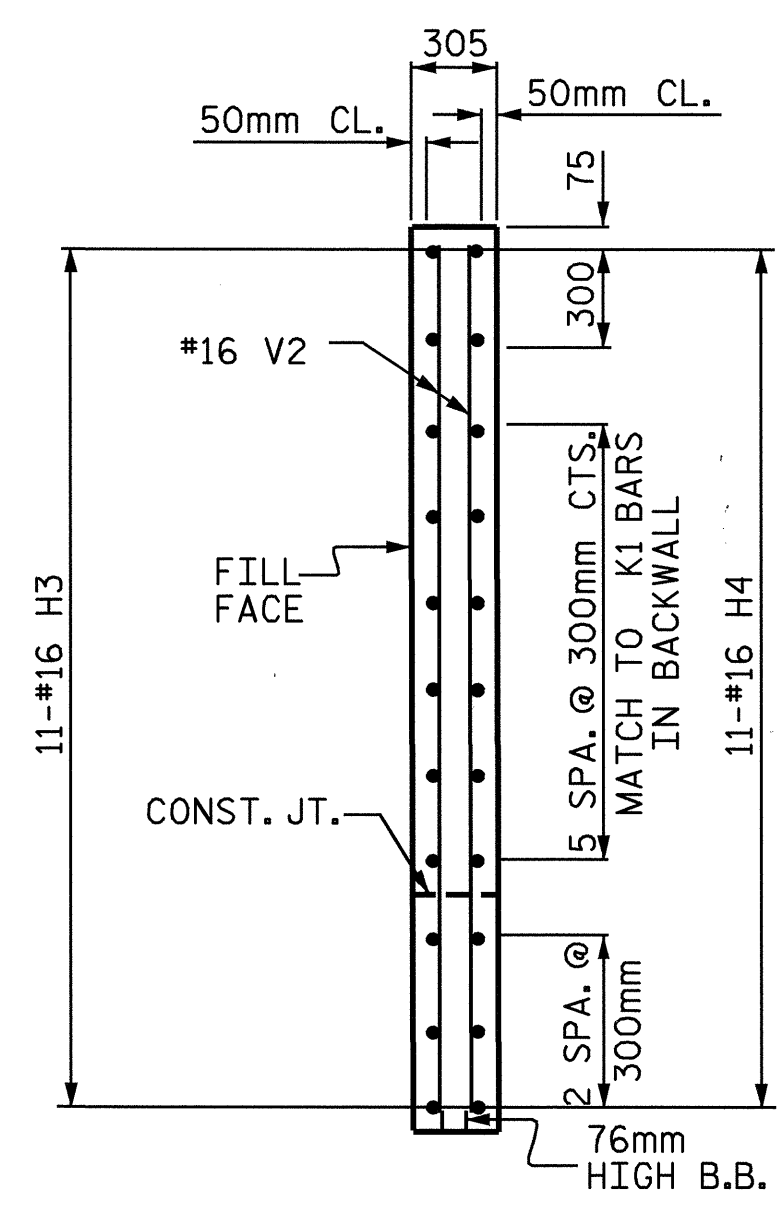


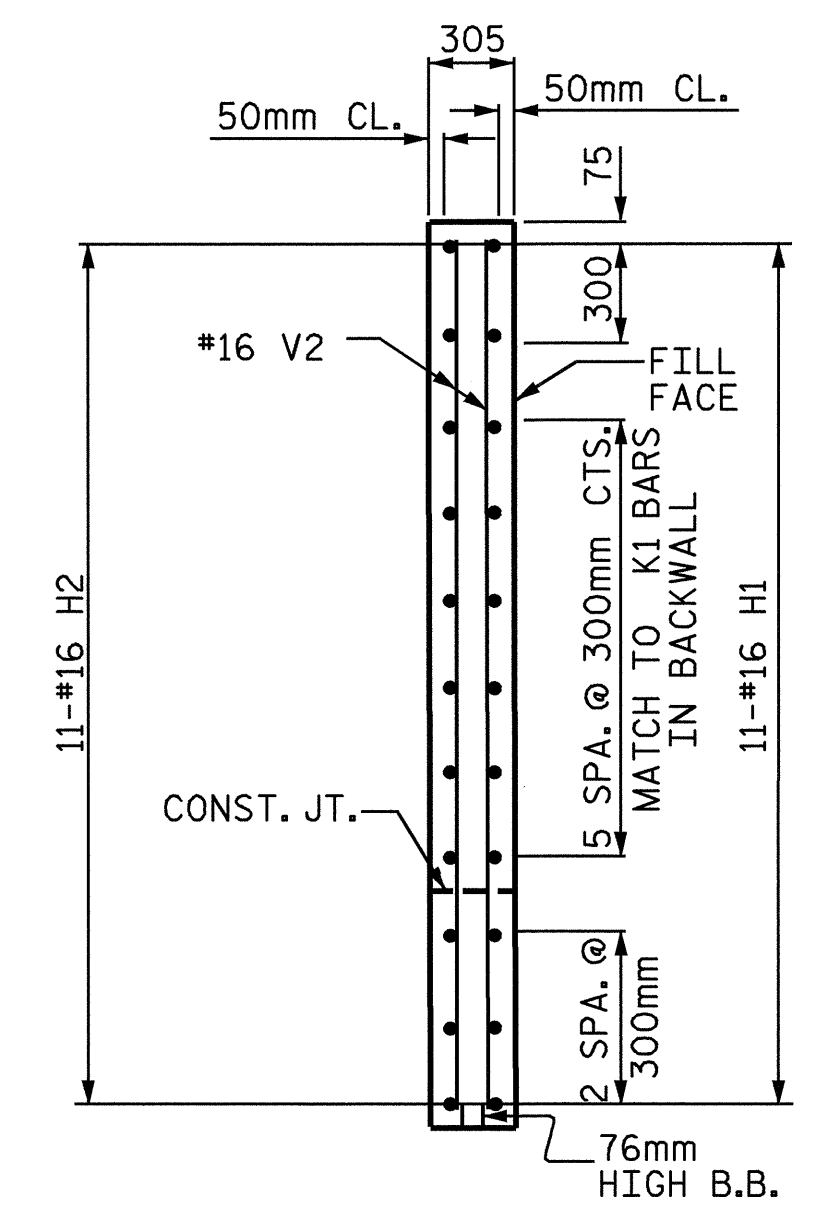
PLAN OF WING (W1)



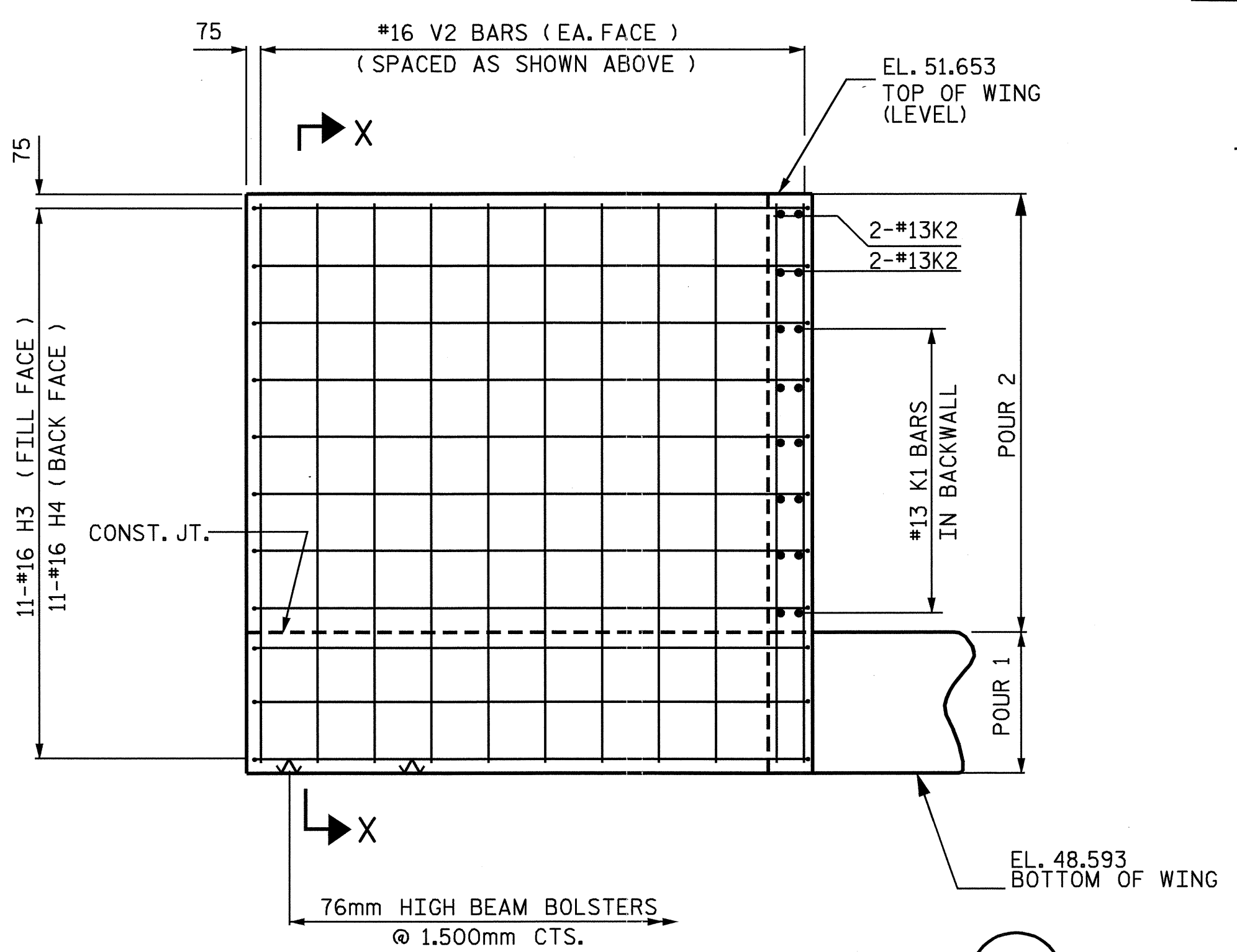
PLAN OF WING (W2)



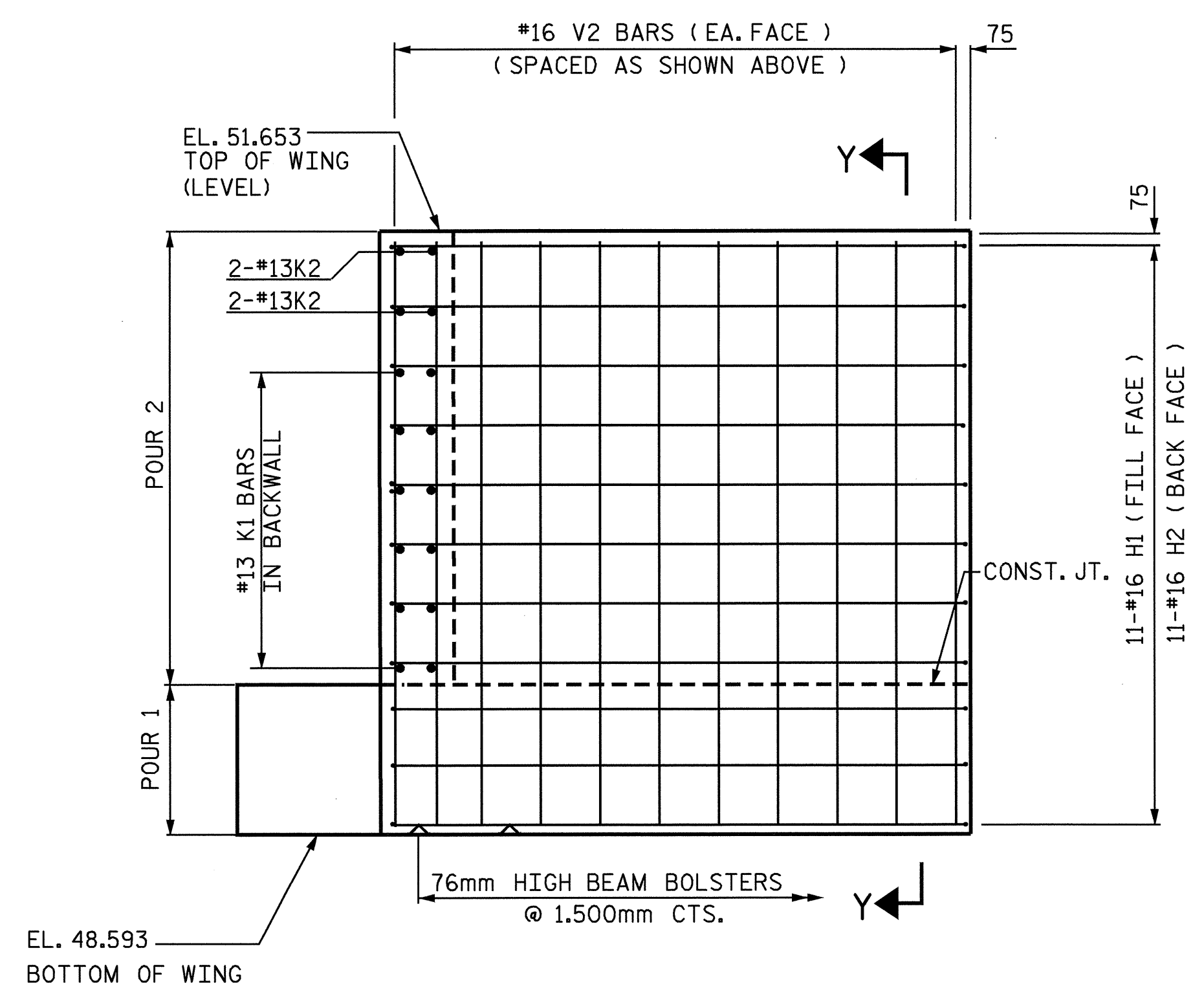
SECTION X-X



SECTION Y-Y



ELEVATION OF WING (W1)



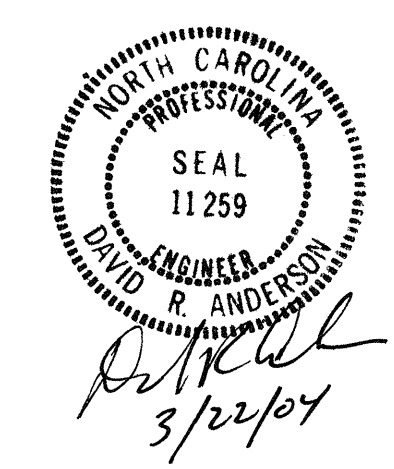
ELEVATION OF WING (W2)

PROJECT NO. R-513C  
ROBESON COUNTY  
STATION: 298+57.237 -L-

SHEET 2 OF 3

STATE OF NORTH CAROLINA  
DEPARTMENT OF TRANSPORTATION  
RALEIGH

SUBSTRUCTURE  
END BENT 2



REVISIONS						SHEET NO.
NO.	BY:	DATE:	NO.	BY:	DATE:	5-272
1			3			TOTAL SHEETS
2			4			312

DRAWN BY: S. M. RASHIDI DATE: 8/1/02  
CHECKED BY: K. P. SEDAI DATE: 8/16/02