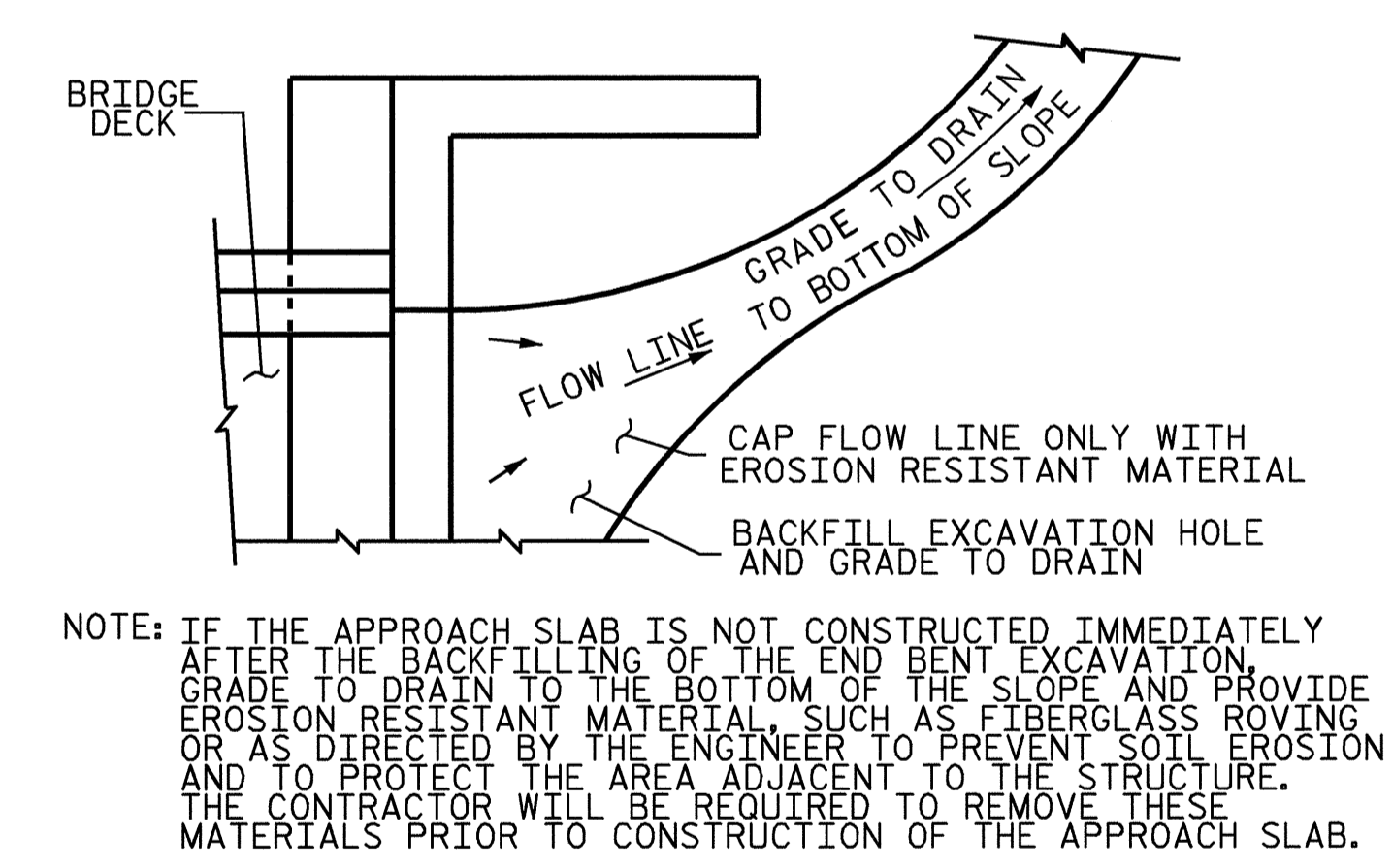
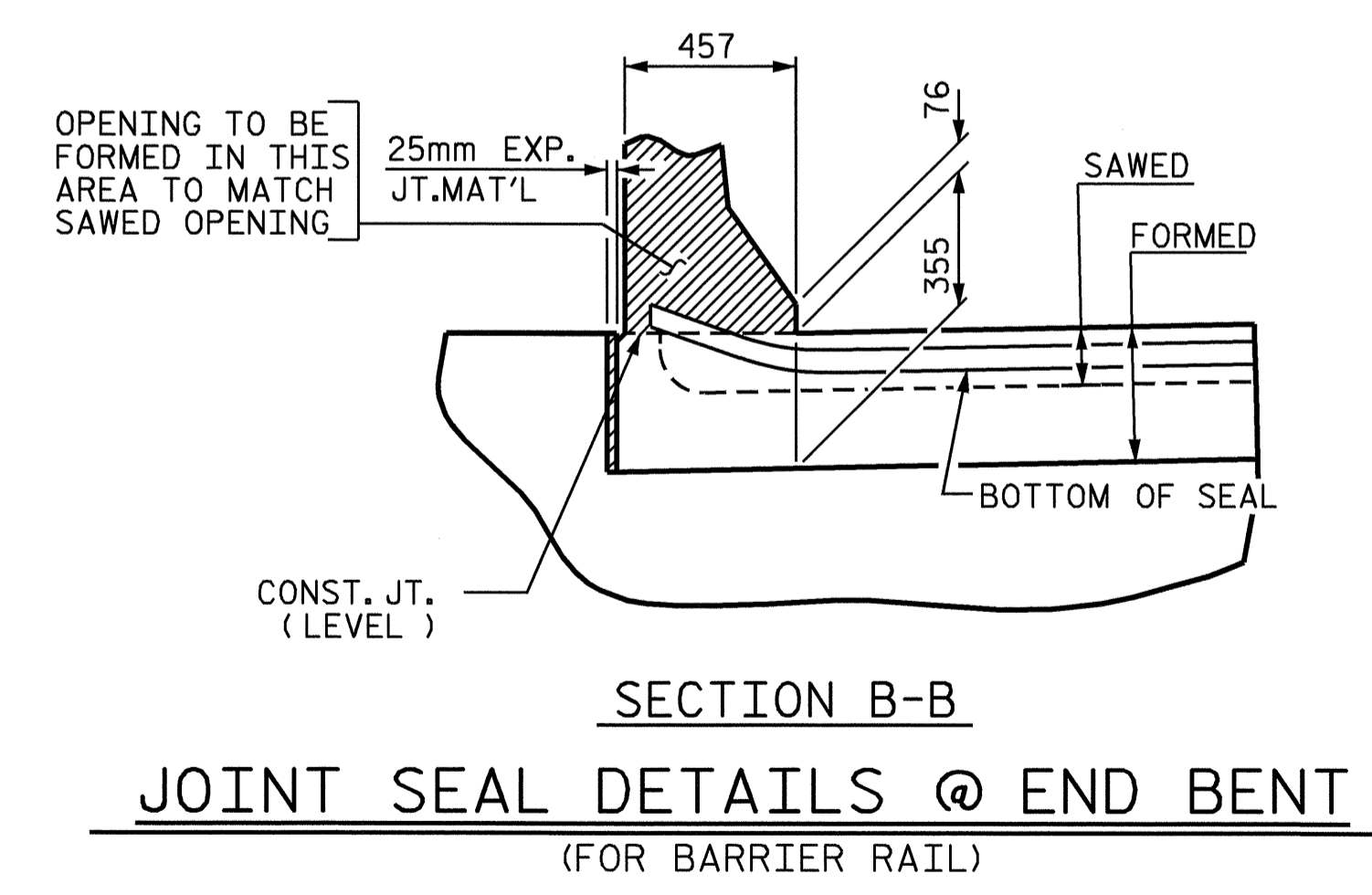
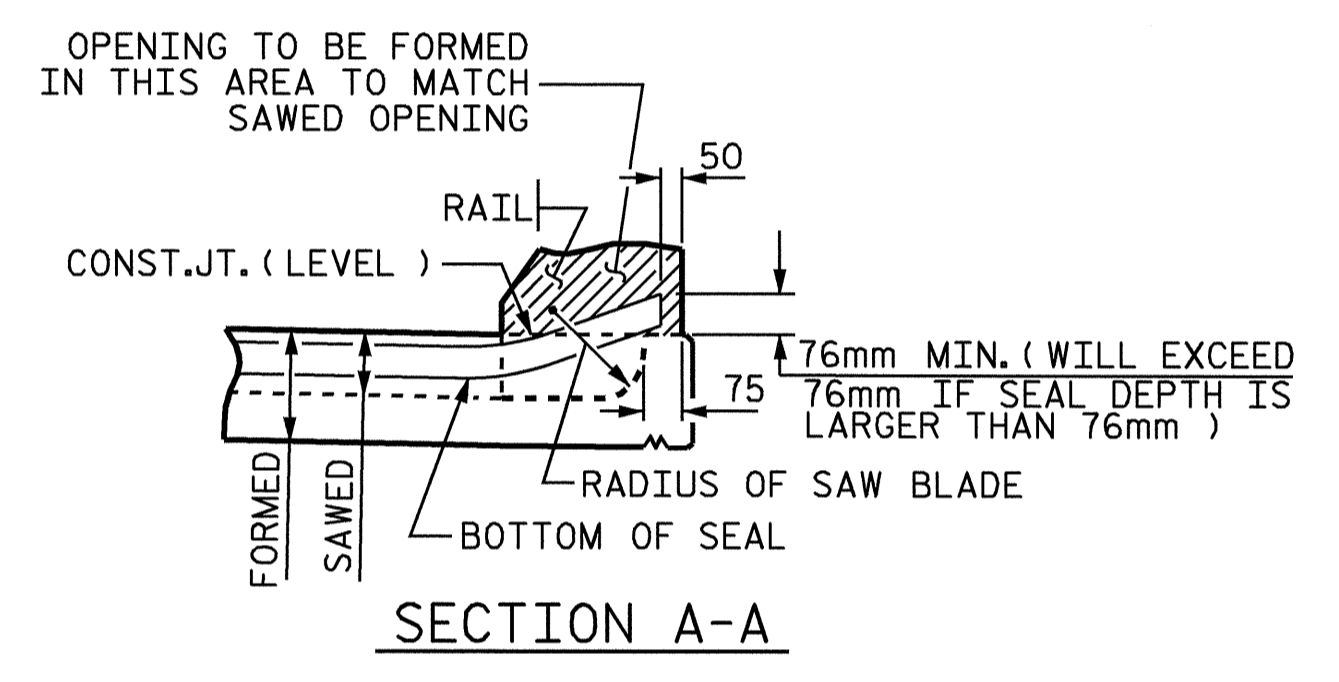


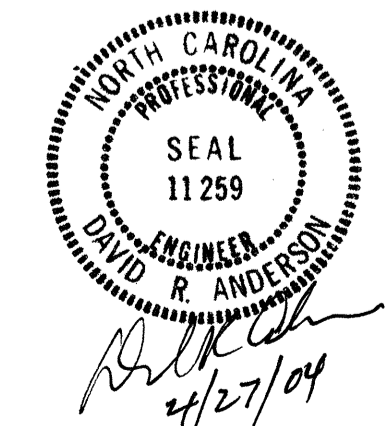
PLAN VIEW  
**TEMPORARY BERM AND SLOPE DRAIN DETAILS**



**TEMPORARY DRAINAGE DETAIL**

PROJECT NO. R-0513C  
ROBESON COUNTY  
STATION: 298+57.237-L-

SHEET 4 OF 5



STATE OF NORTH CAROLINA  
DEPARTMENT OF TRANSPORTATION  
RALEIGH  
STANDARD  
**BRIDGE APPROACH SLAB  
DETAILS**

ASSEMBLED BY: R.D. MARTIN	DATE: 3/16/04
CHECKED BY: W.K. FISCHER	DATE: 3/30/04
DRAWN BY: FCJ	11/88
CHECKED BY: ARB	11/88
REV. 7/17/98	RWW/LES
REV. 8/16/99	RAL/LES
REV. 10/17/00R	RWW/LES

REVISIONS						SHEET NO.	
NO.	BY:	DATE:	NO.	BY:	DATE:	S-279	
1			3			TOTAL SHEETS	312
2			4				