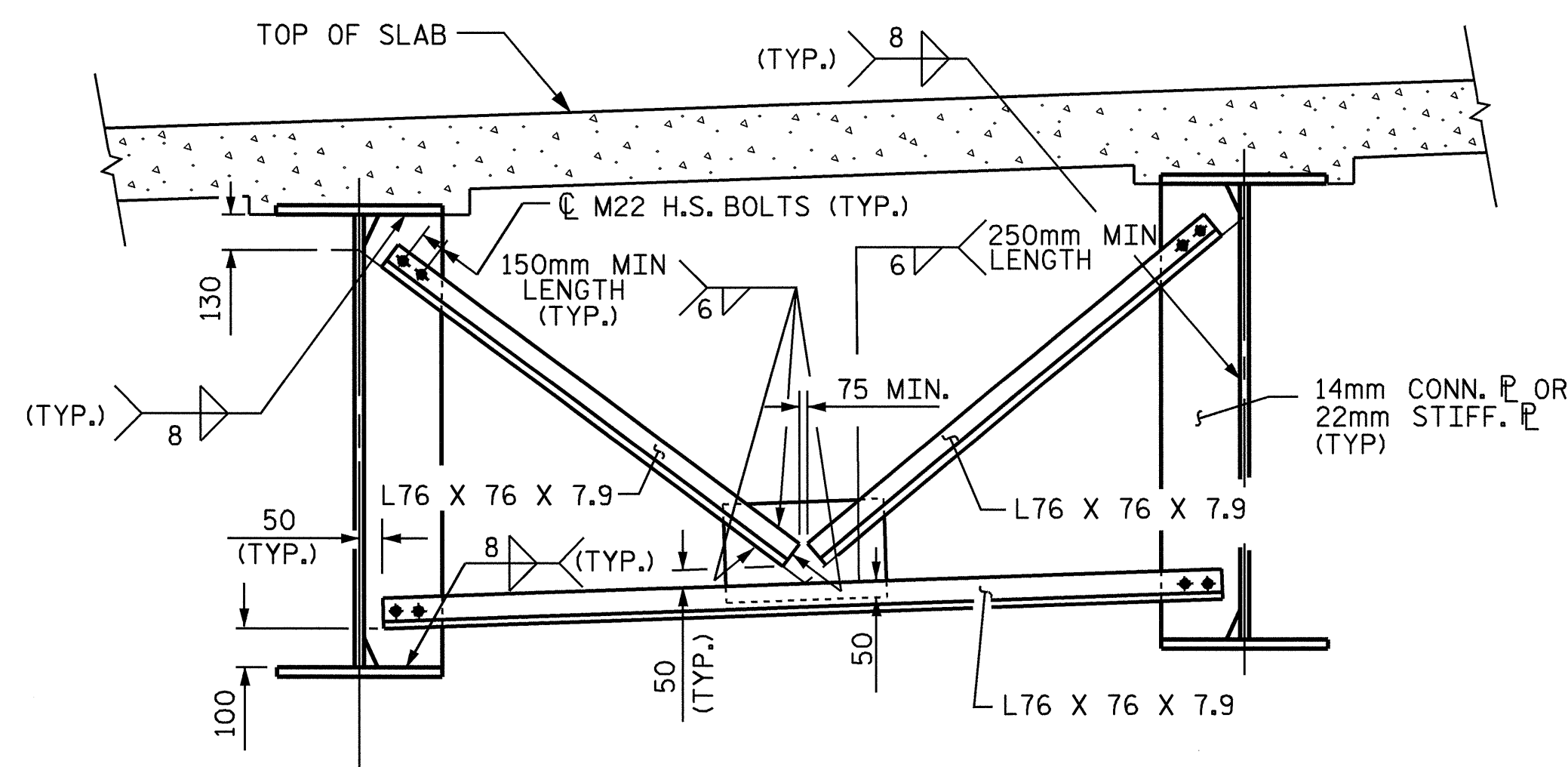
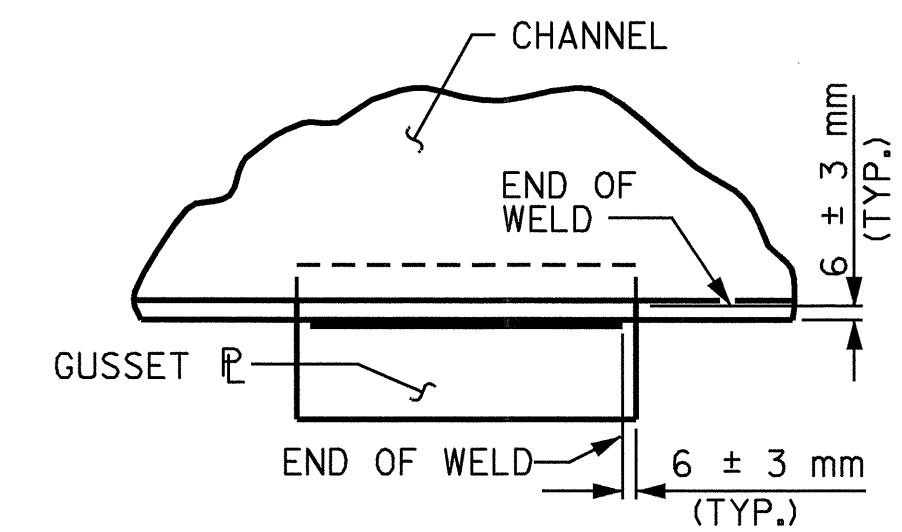


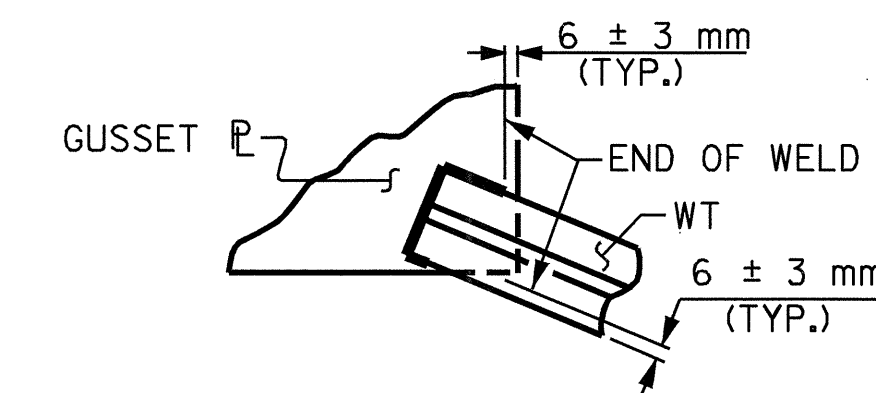
TYPICAL END BENT DIAPHRAGM (D1)



TYPICAL INTERMEDIATE & BENT DIAPHRAGM (D2)

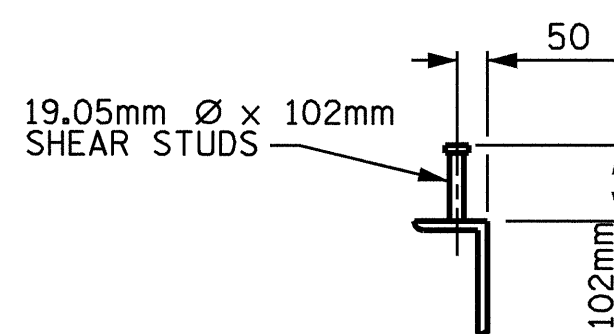


TYPICAL GUSSET PLATE CONNECTION

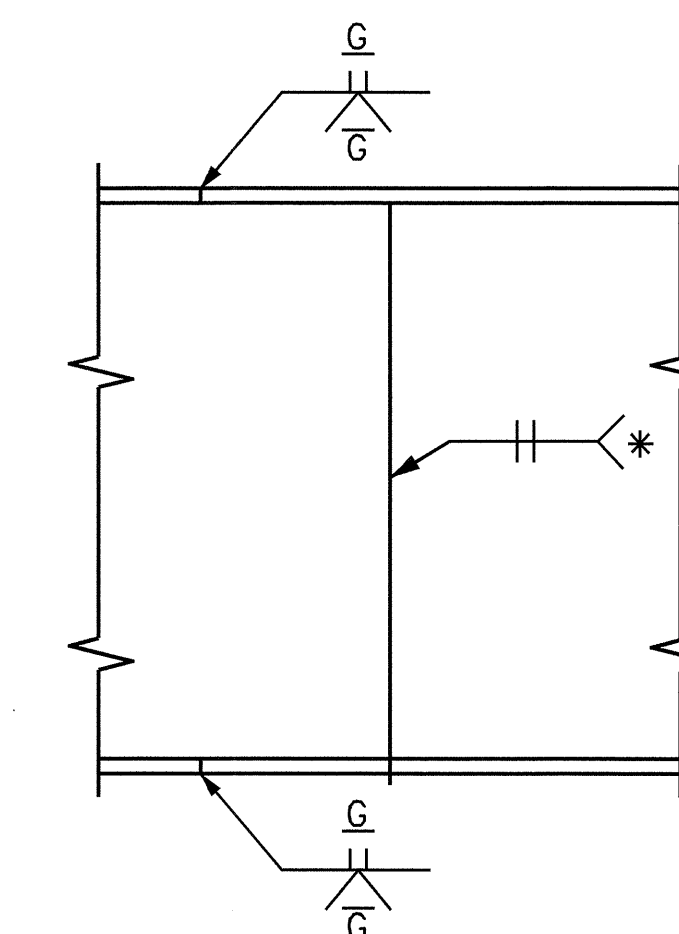


TYPICAL "TEE" TO GUSSET PLATE CONNECTION

WELD TERMINATION DETAILS

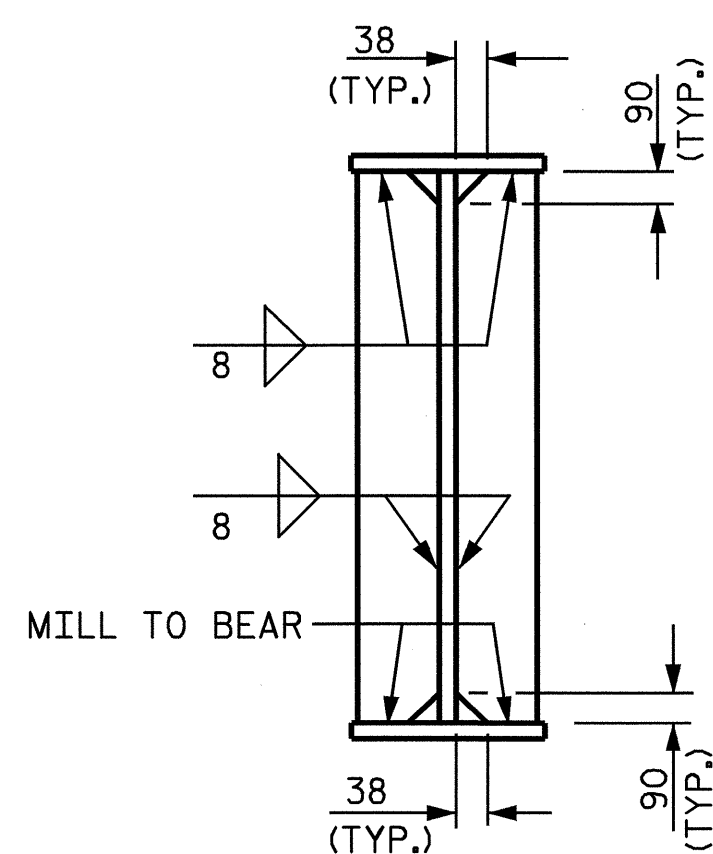


SHEAR STUD DETAILS



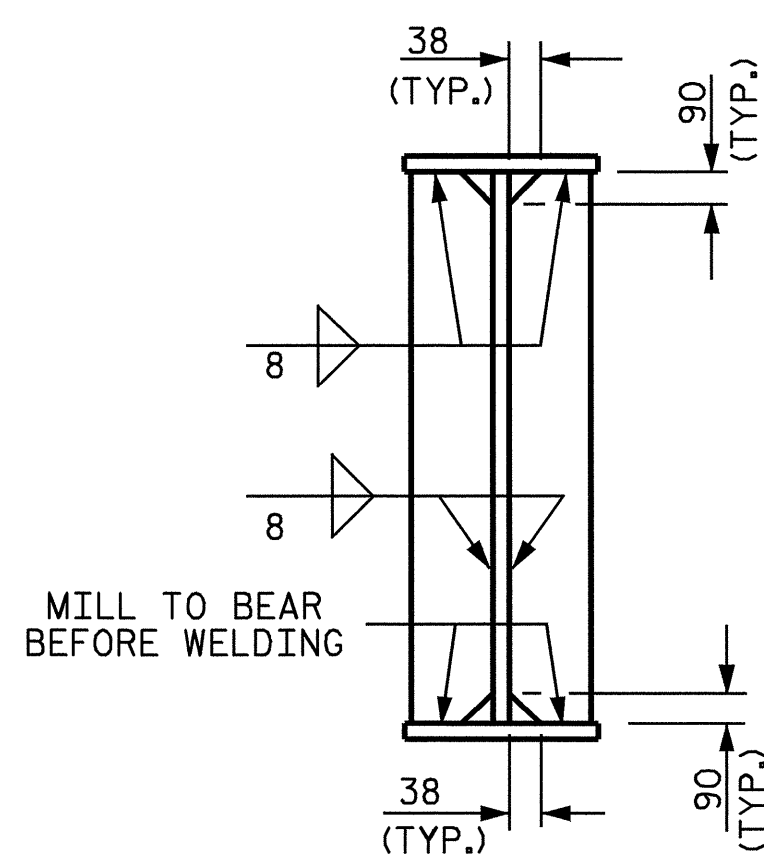
PERMISSIBLE SHOP WEB SPLICE

* GRIND SMOOTH AND FLUSH ON OUTSIDE OF EXTERIOR GIRDERS



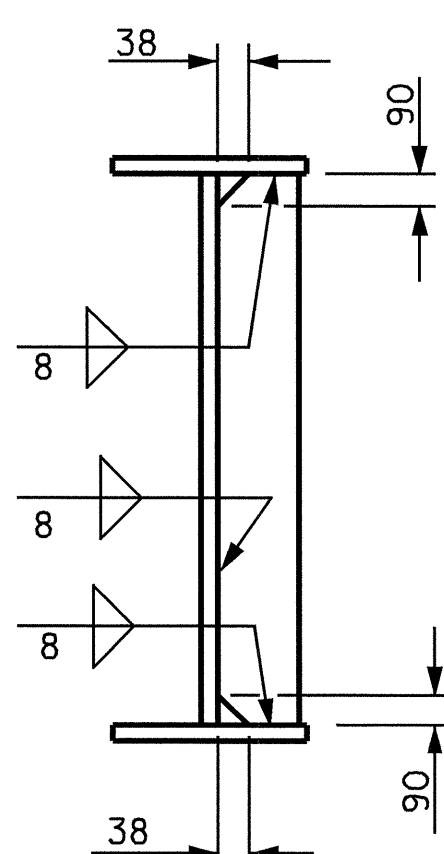
BEARING STIFFENER

@ END BENTS 1 & 2

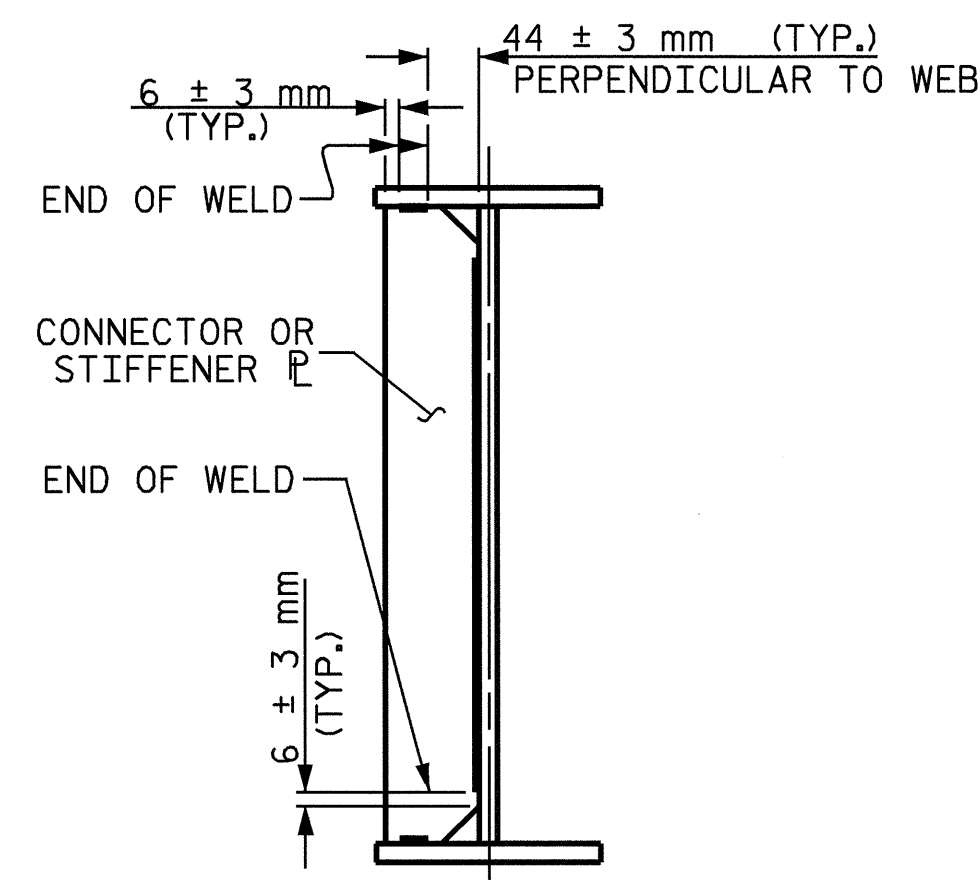


BEARING STIFFENER & CONNECTOR

@ BENT 1



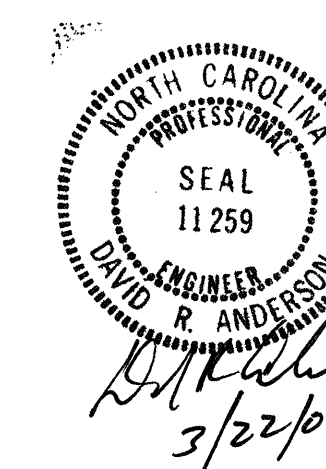
CONNECTOR PLATE



TYPICAL STIFFENER OR CONNECTOR PLATE CONNECTIONS

PROJECT NO. R-513C
ROBESON COUNTY
STATION: 318+10.648 -L-

SHEET 2 OF 3



STATE OF NORTH CAROLINA
DEPARTMENT OF TRANSPORTATION
RALEIGH
SUPERSTRUCTURE
STRUCTURAL
STEEL DETAILS

REVISIONS					SHEET NO.
NO.	BY:	DATE:	NO.	BY:	DATE:
1			3		
2			4		

TOTAL SHEETS
312

DRAWN BY: N. Q. TRAN DATE: JUN.2001
CHECKED BY: T. A. WALTER DATE: 10-24-02