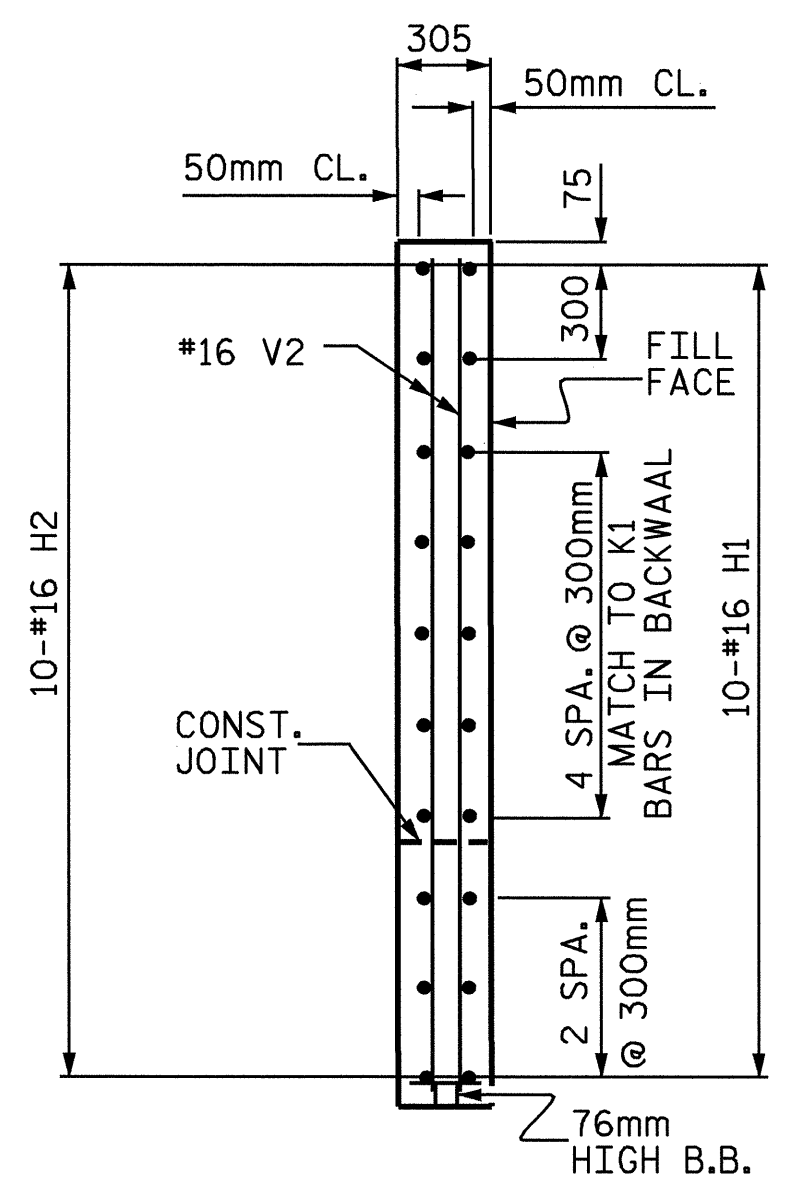
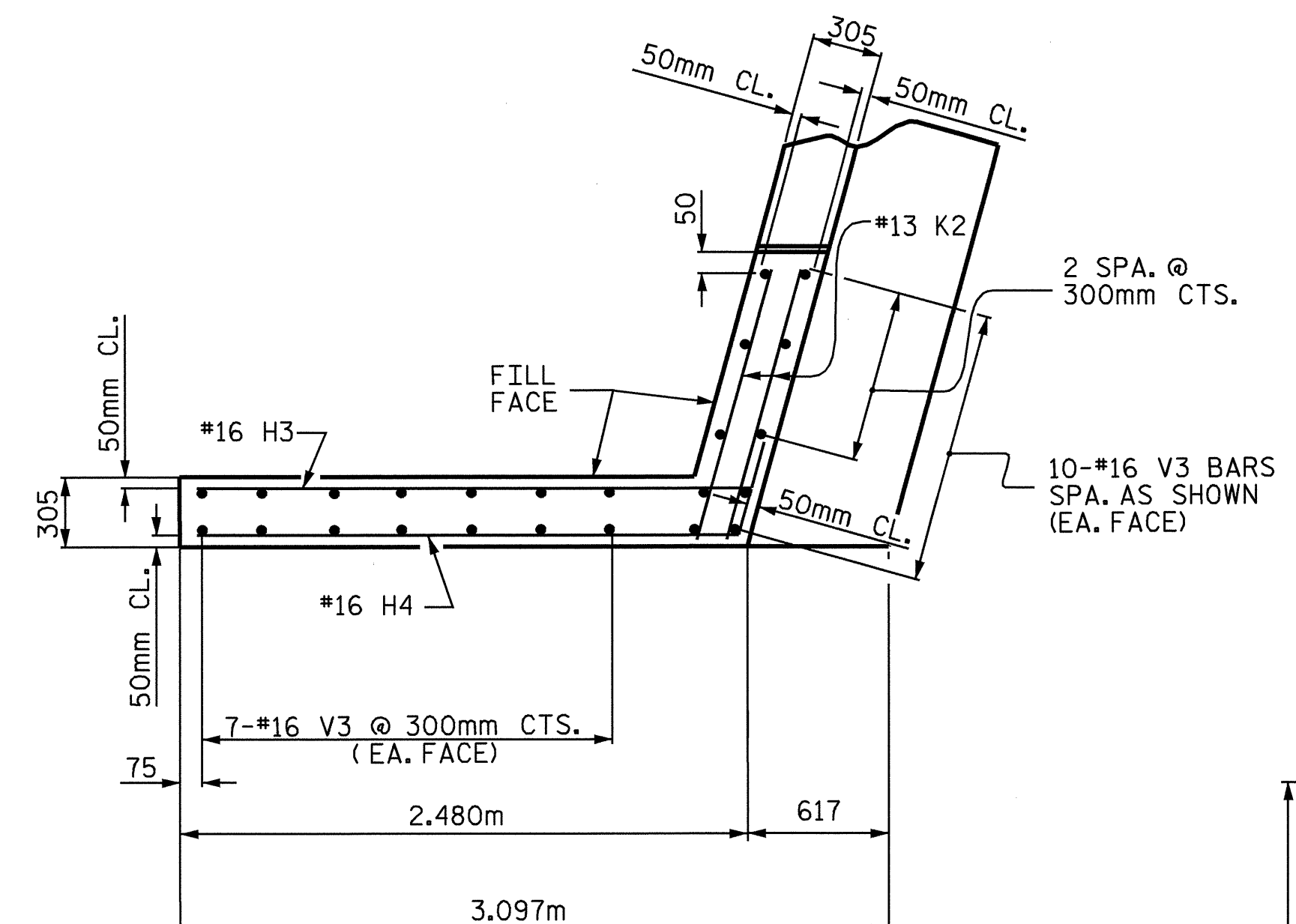


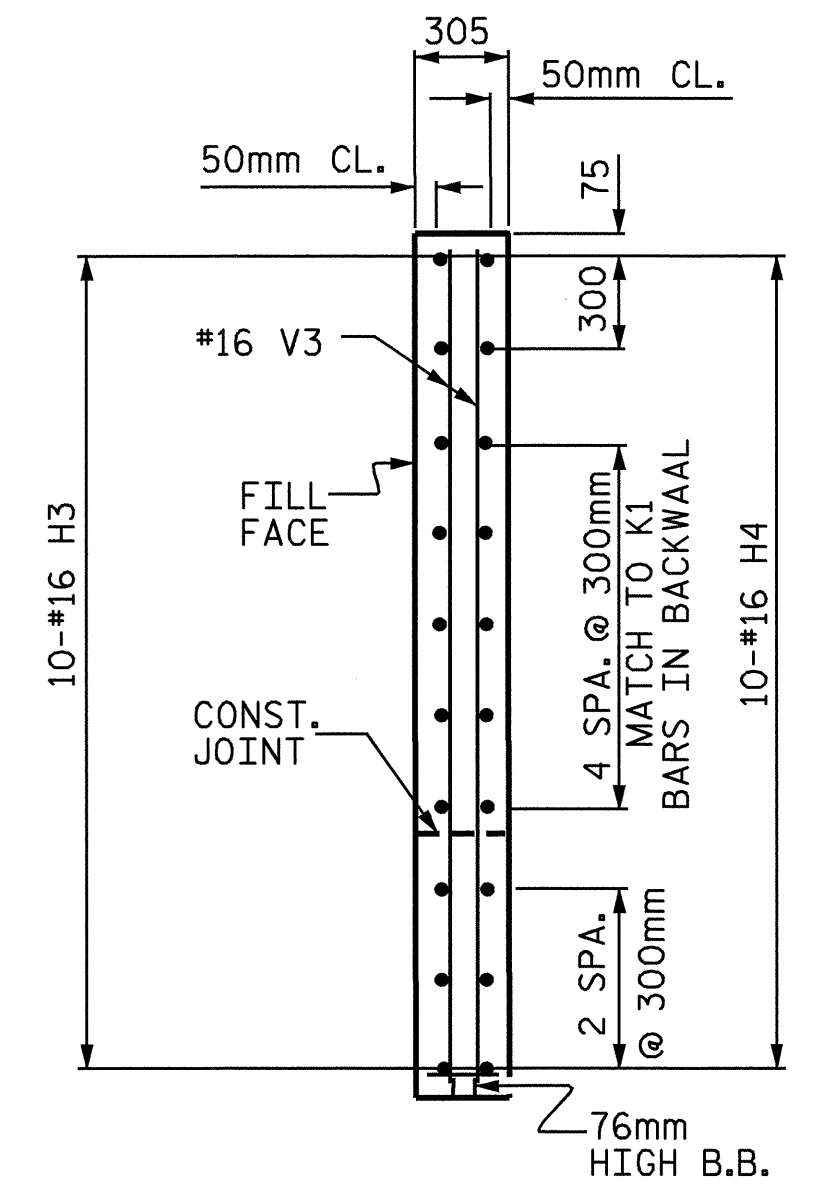
PLAN OF WING (W1)



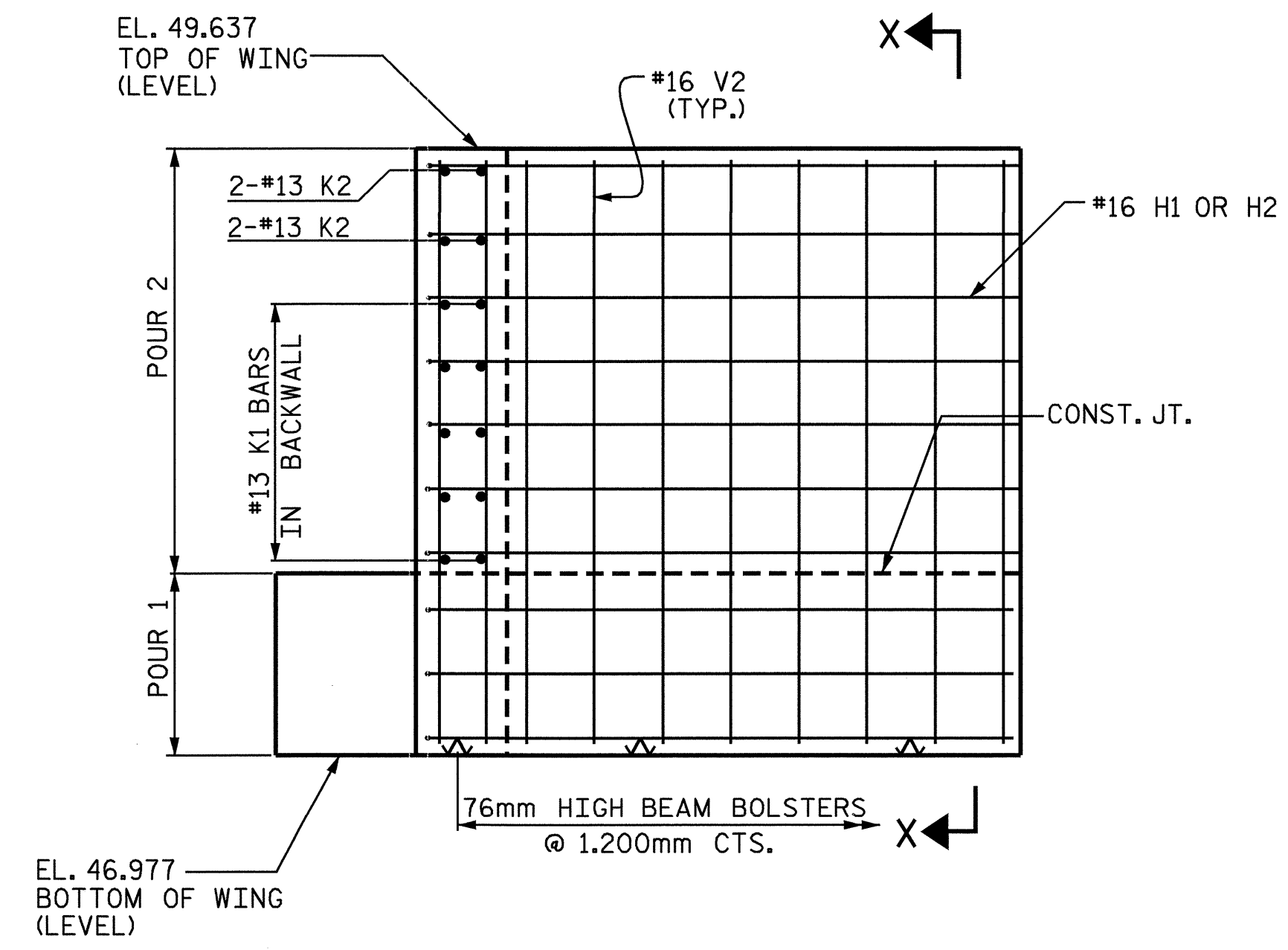
SECTION X-X



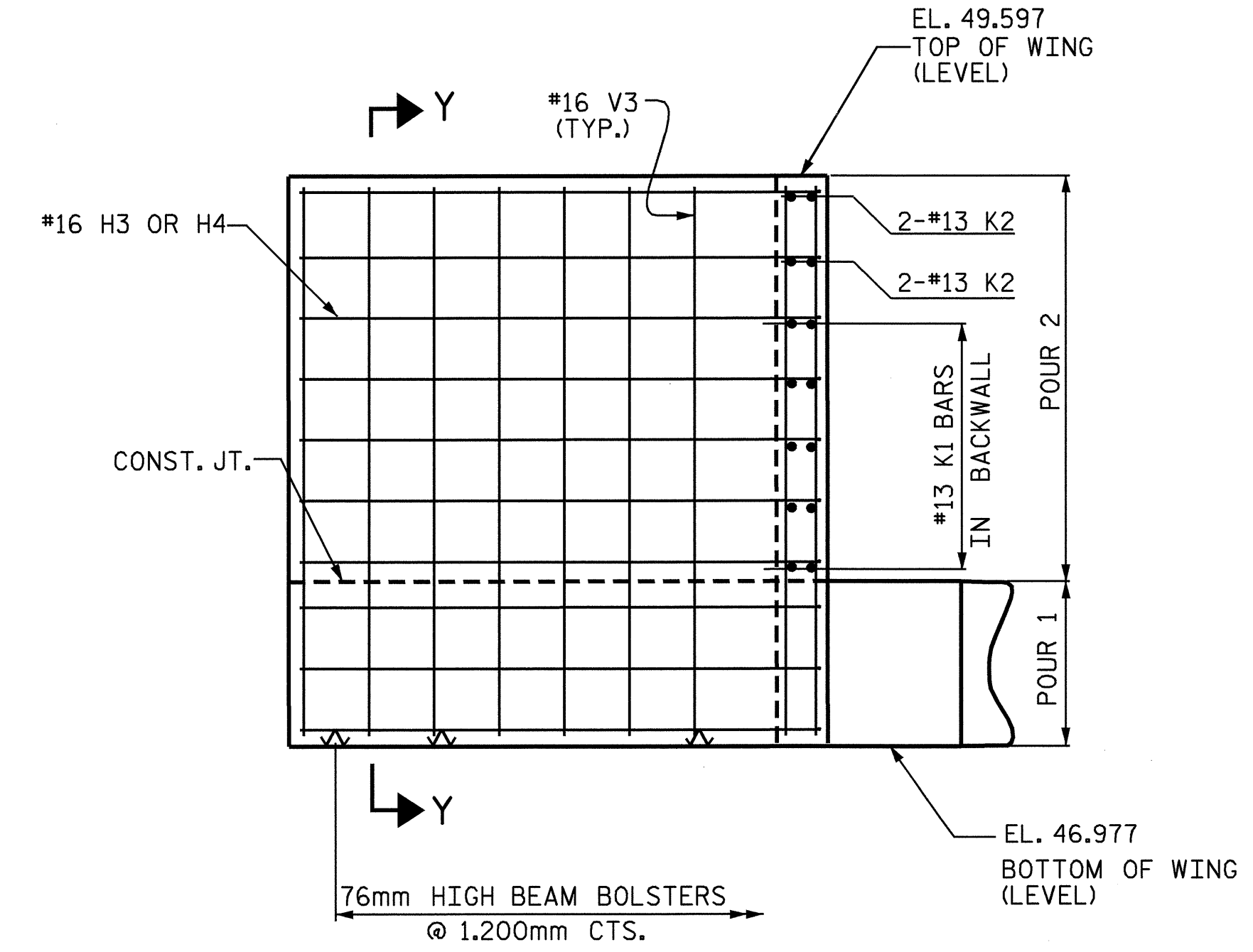
PLAN OF WING (W2)



SECTION Y-Y



ELEVATION OF WING (W1)



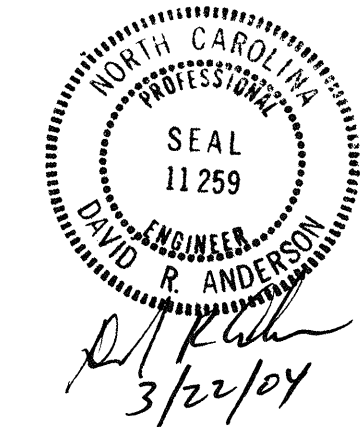
ELEVATION OF WING (W2)

PROJECT NO. R-513C
ROBESON COUNTY
STATION: 318+10.648 -L-

SHEET 2 OF 3

STATE OF NORTH CAROLINA
DEPARTMENT OF TRANSPORTATION
RALEIGH

SUBSTRUCTURE
END BENT 1



REVISIONS						SHEET NO. S-299
NO.	BY:	DATE:	NO.	BY:	DATE:	
1			3			TOTAL SHEETS 312
2			4			

DRAWN BY: S. M. RASHIDI DATE: 07/09/02
CHECKED BY: K. P. SEDAI DATE: 08/16/02