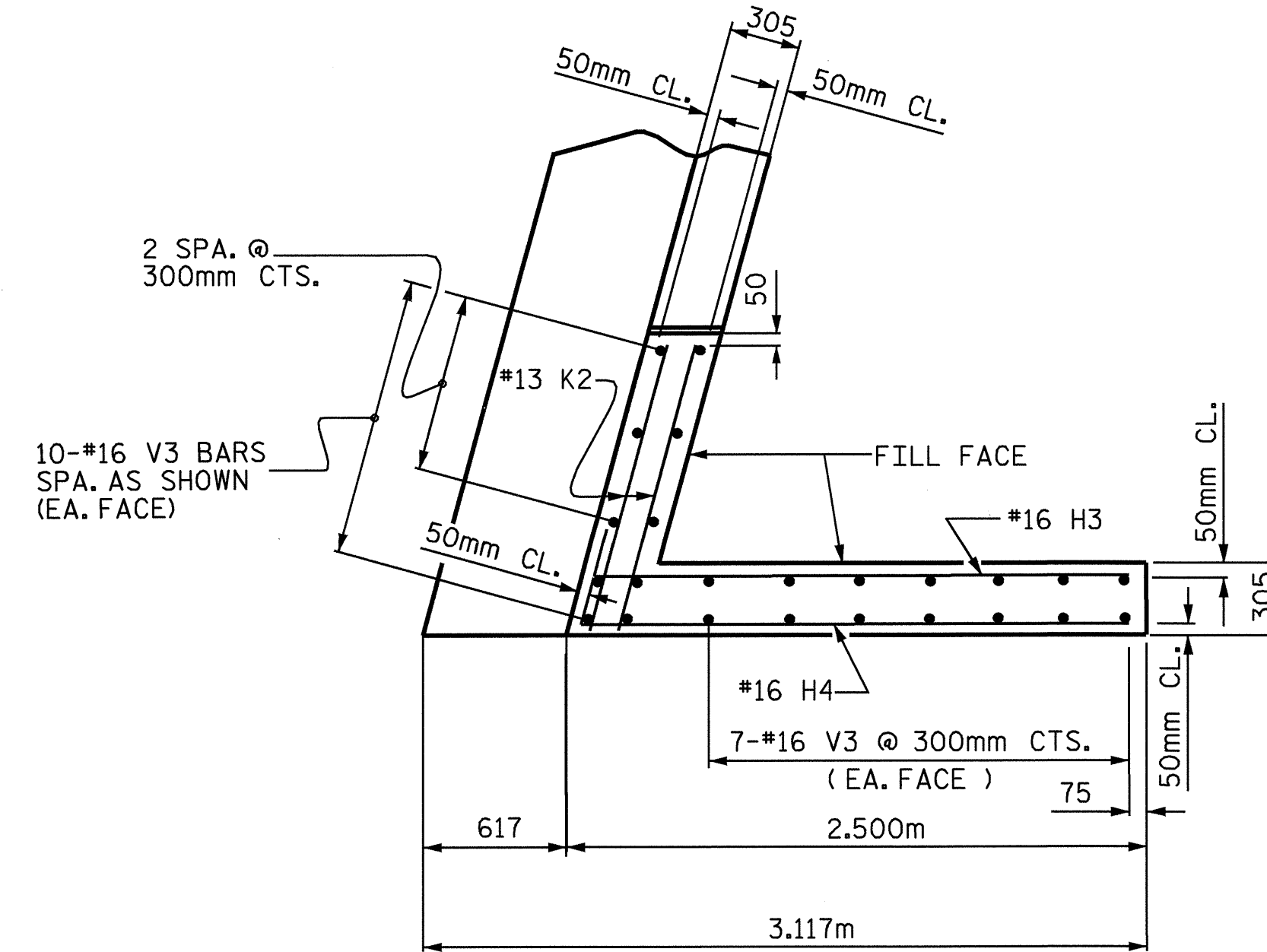
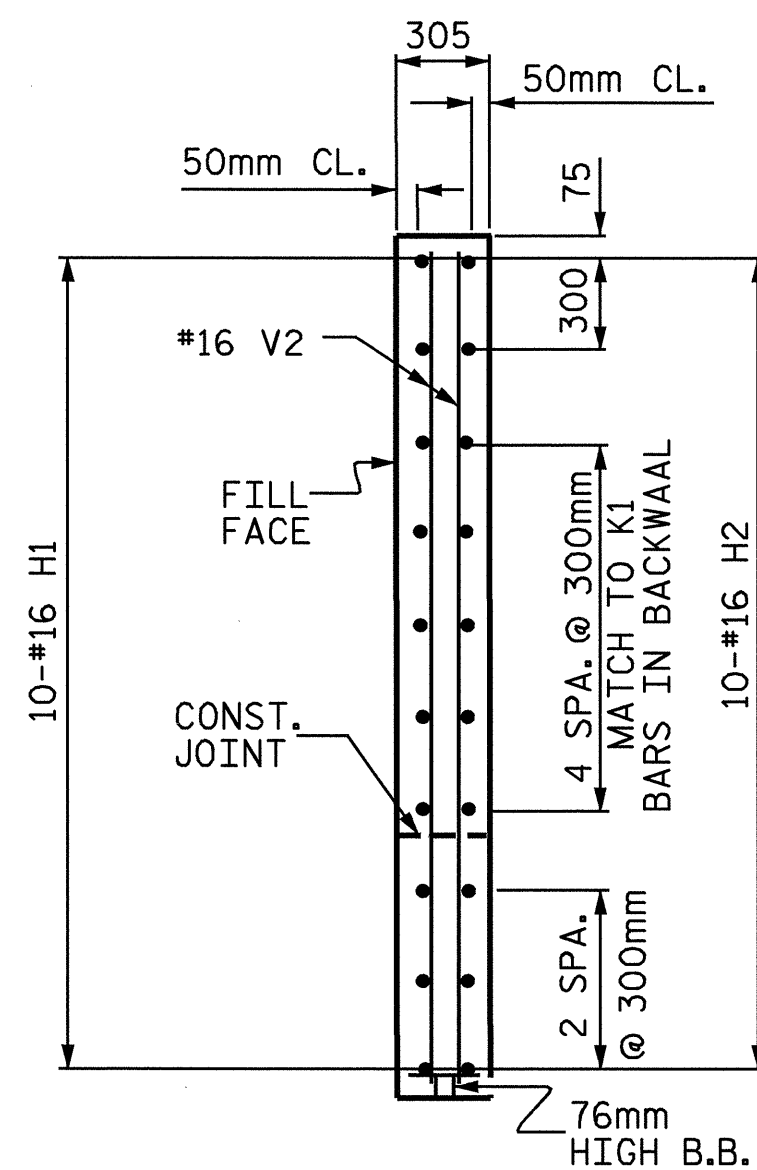


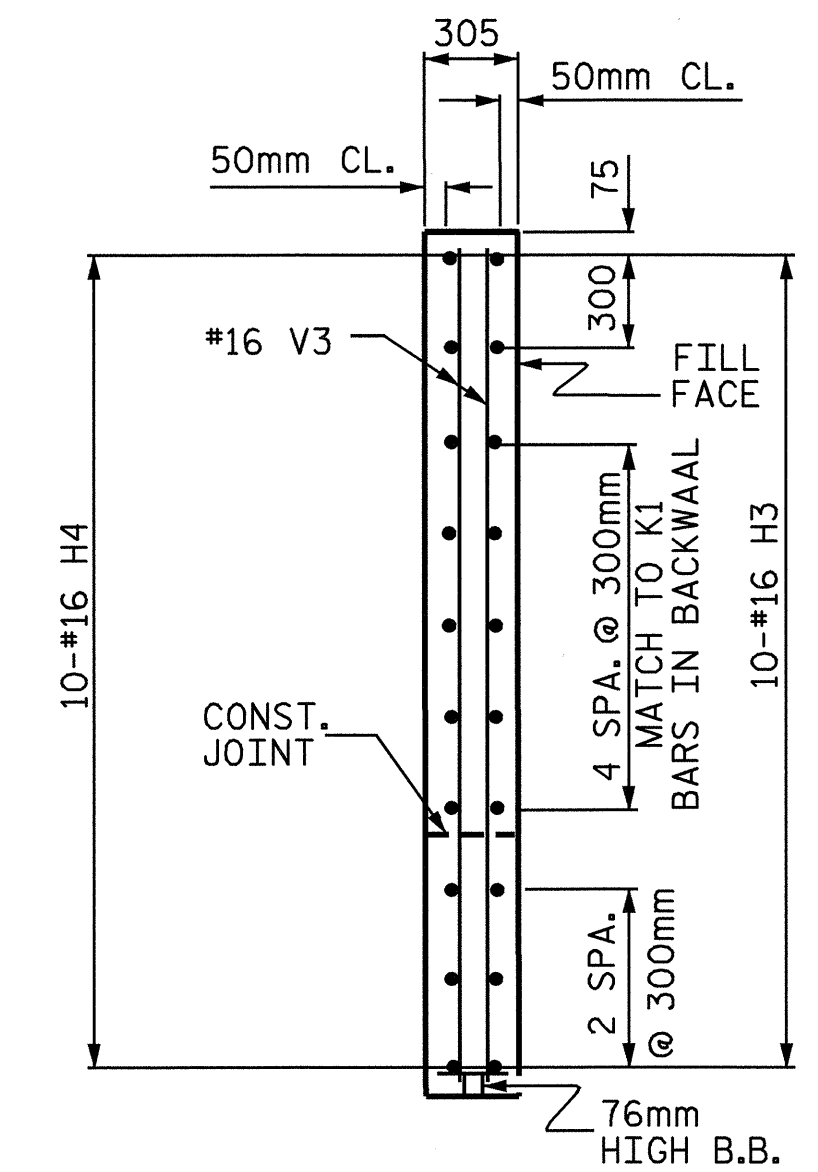
PLAN OF WING (W2)



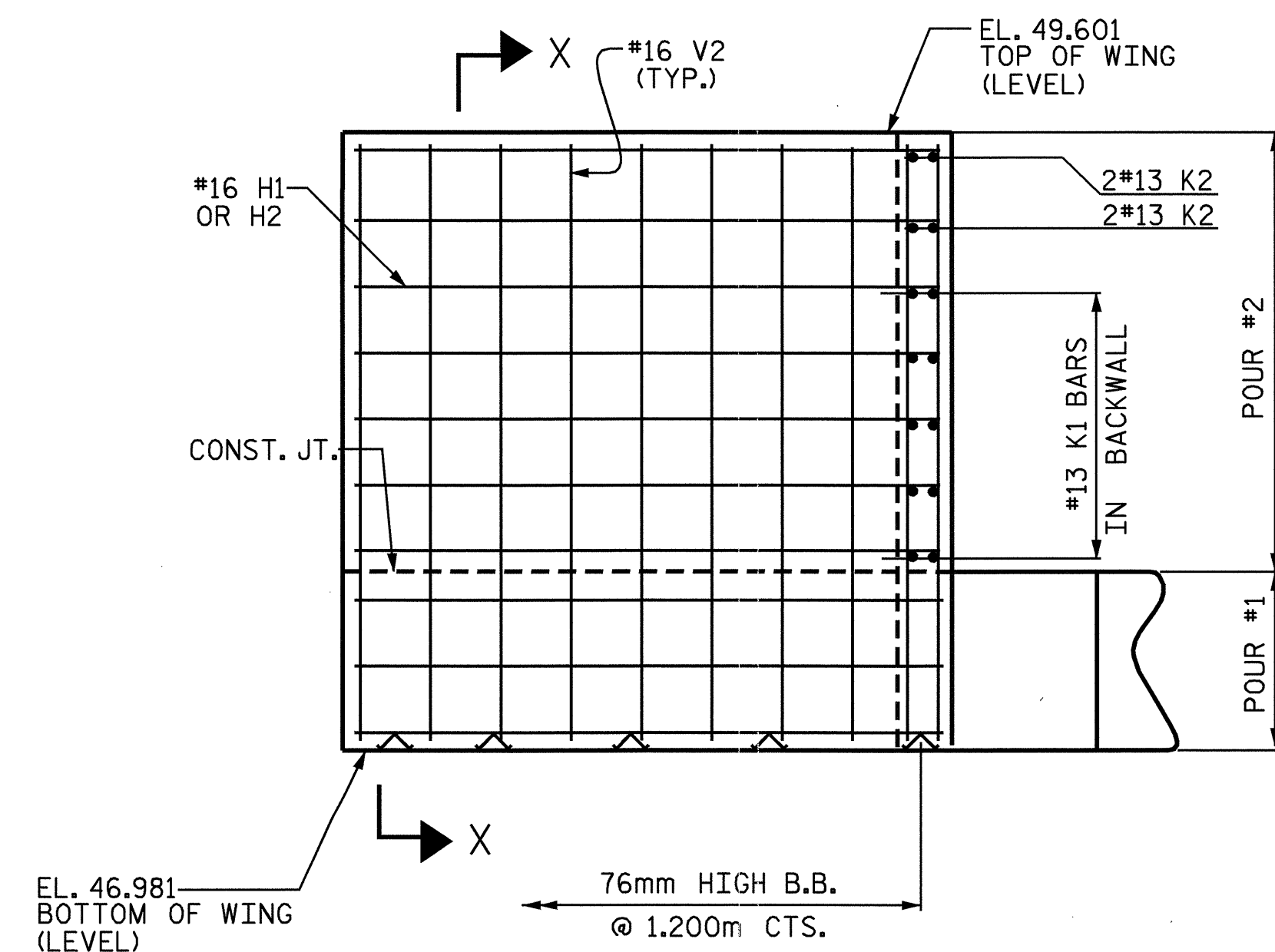
PLAN OF WING (W1)



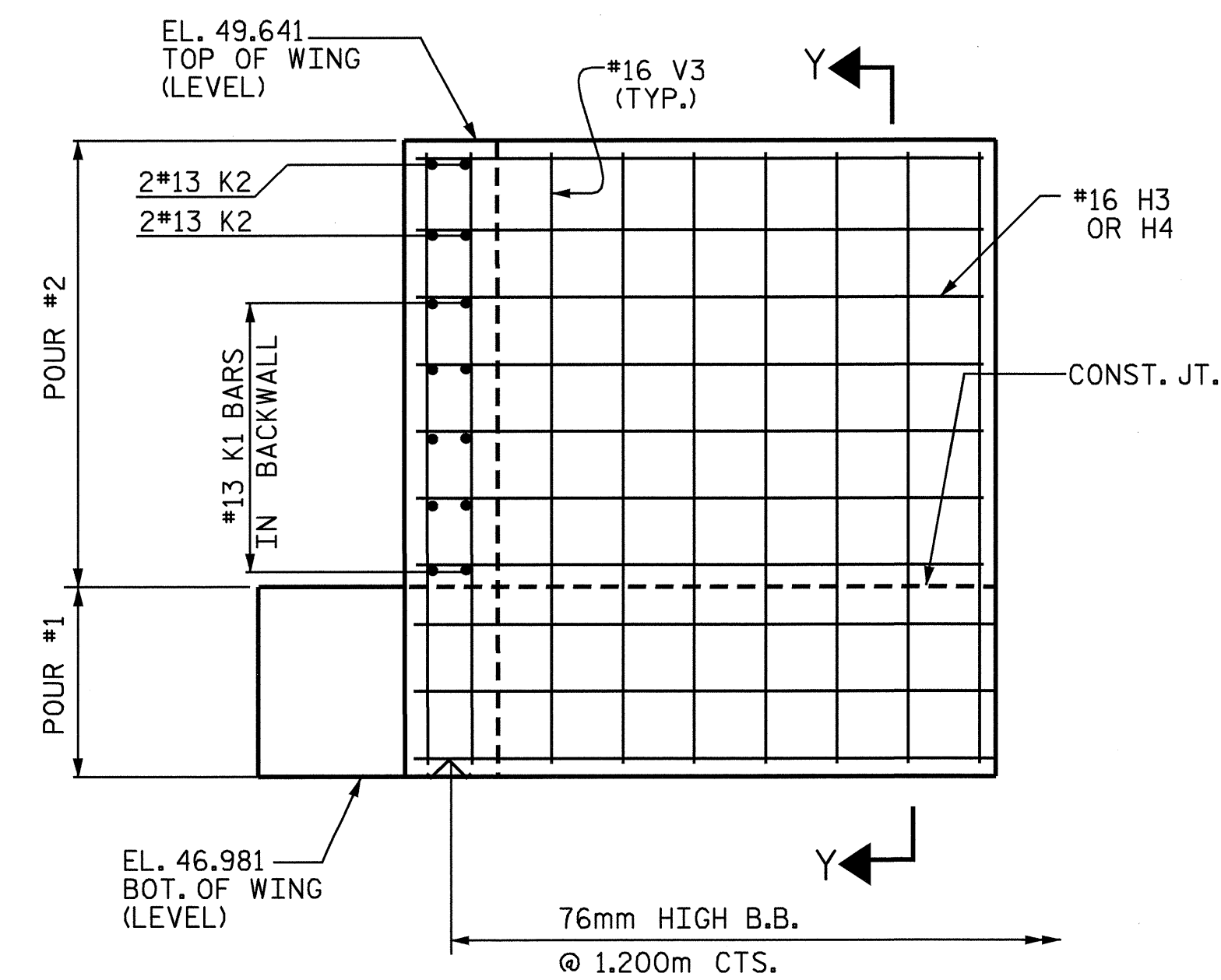
SECTION X-X



SECTION Y-Y



ELEVATION OF WING (W2)

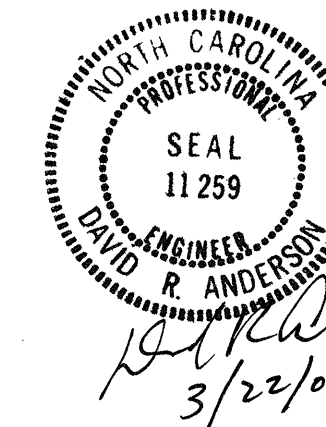


ELEVATION OF WING (W1)

PROJECT NO. R-513C
ROBESON COUNTY
STATION: 318+10.648 -L-

SHEET 2 OF 3
STATE OF NORTH CAROLINA
DEPARTMENT OF TRANSPORTATION
RALEIGH

SUBSTRUCTURE
END BENT 2



DRAWN BY: M. S. RASHIDI DATE: 7-09-02
CHECKED BY: K. P. SEDAI DATE: 08/2/02

| REVISIONS | | | | SHEET NO. 9-304 |
|-----------|-----|-------|---------|---------------------|
| NO. | BY: | DATE: | NO. BY: | |
| 1 | | | 3 | TOTAL SHEETS 312 |
| 2 | | | 4 | |