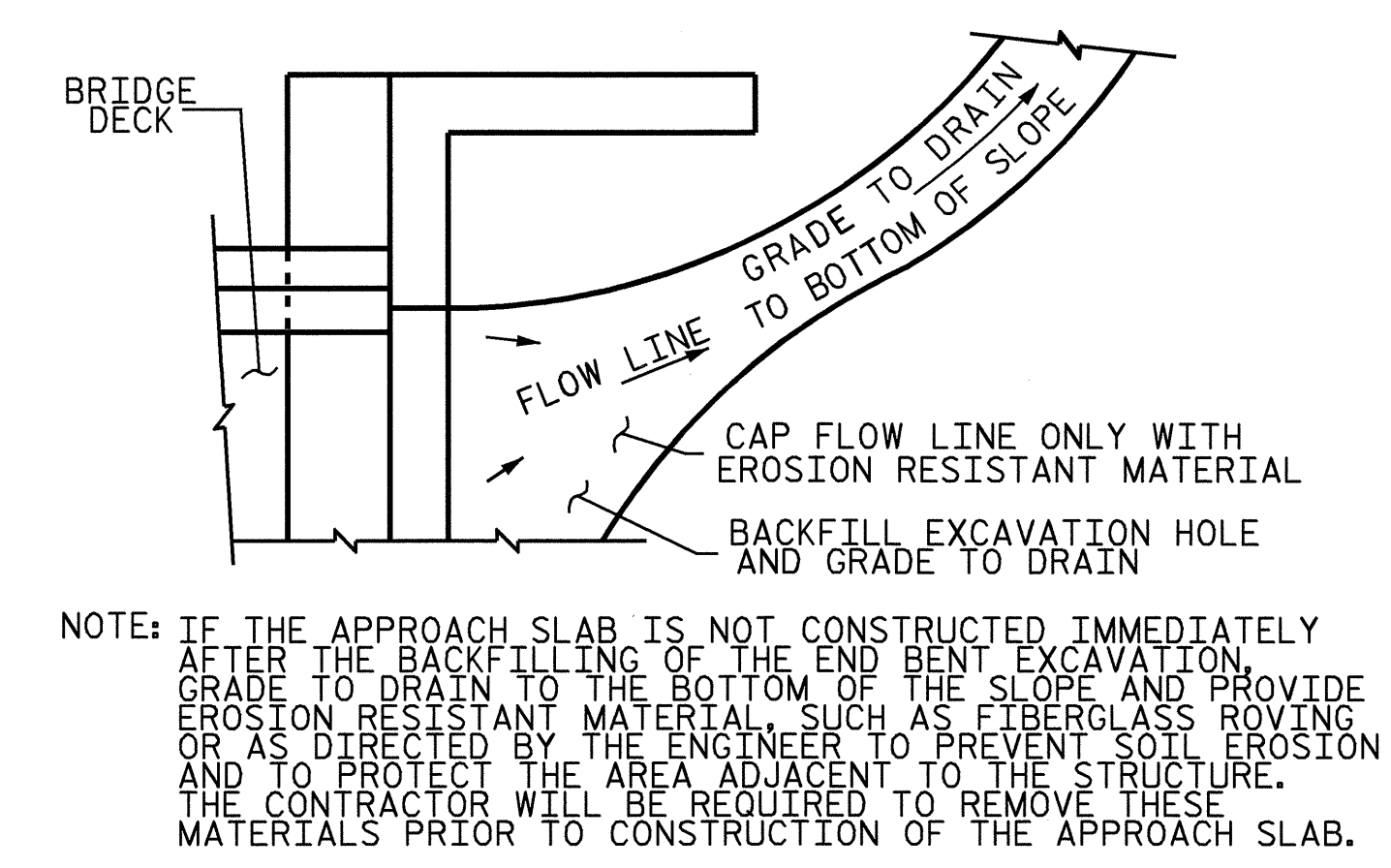
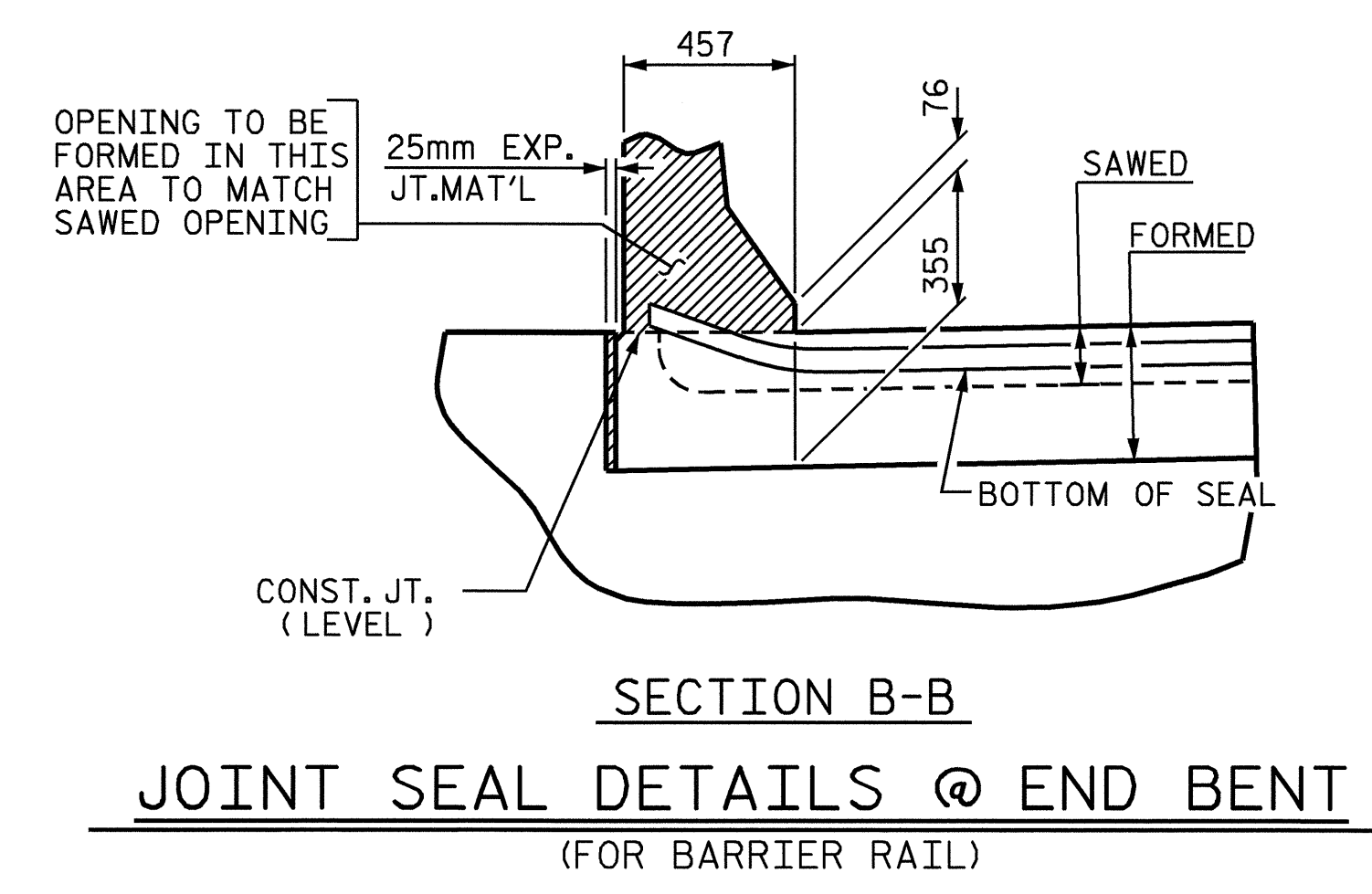
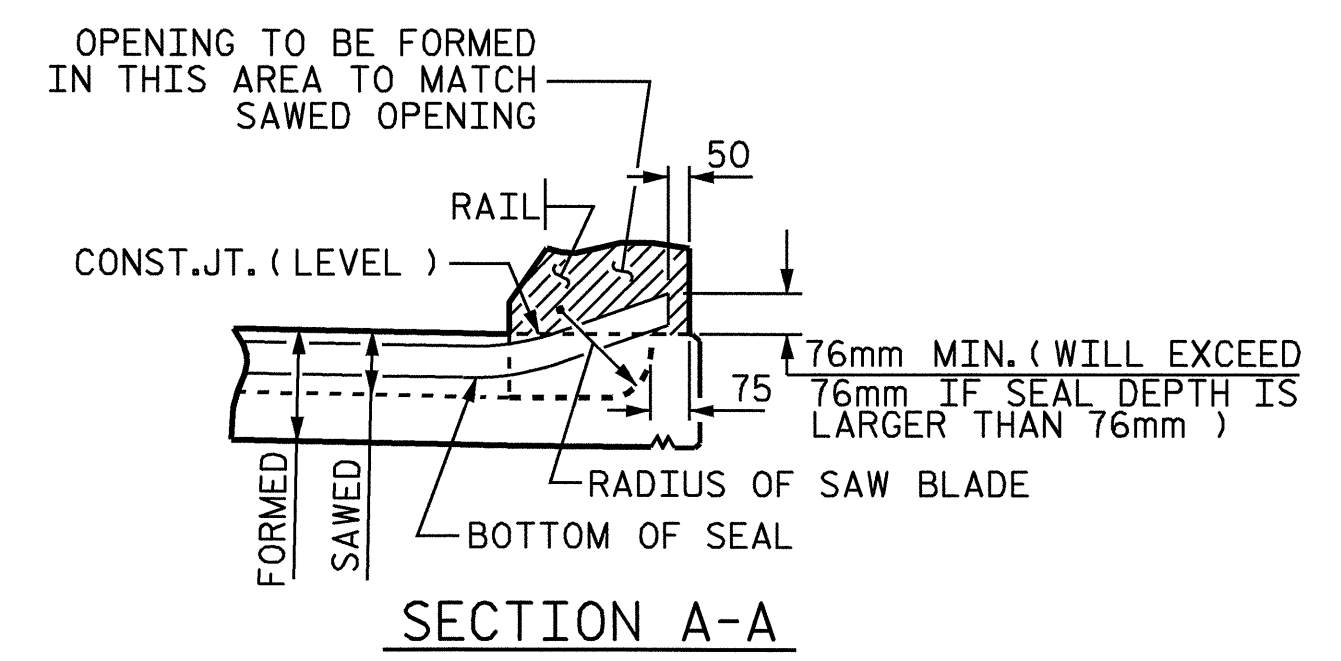


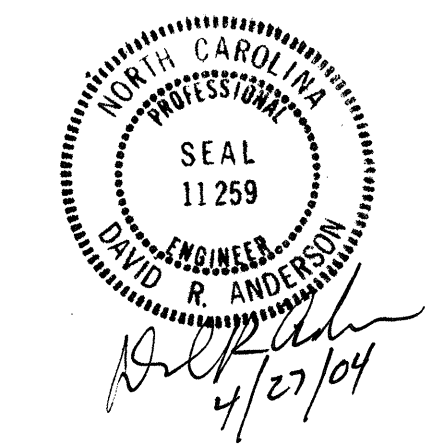
PLAN VIEW  
**TEMPORARY BERM AND SLOPE DRAIN DETAILS**



**TEMPORARY DRAINAGE DETAIL**

PROJECT NO. R-513C  
ROBESON COUNTY  
STATION: 310+10.648 -L-

SHEET 4 OF 5



STATE OF NORTH CAROLINA  
DEPARTMENT OF TRANSPORTATION  
RALEIGH  
STANDARD  
BRIDGE APPROACH SLAB  
DETAILS

ASSEMBLED BY: H.A. LUCAS	DATE: 3/22/04
CHECKED BY: W.K. FISCHER	DATE: 4/01/04
DRAWN BY: FCJ 11/88	REV. 7/17/98 RWW/LES
CHECKED BY: ARB 11/88	REV. 8/16/99 RAL/LES
	REV. 10/17/00R RWW/LES

REVISIONS						SHEET NO.	
NO.	BY:	DATE:	NO.	BY:	DATE:	S-311	
1			3			TOTAL SHEETS	
2			4			312	