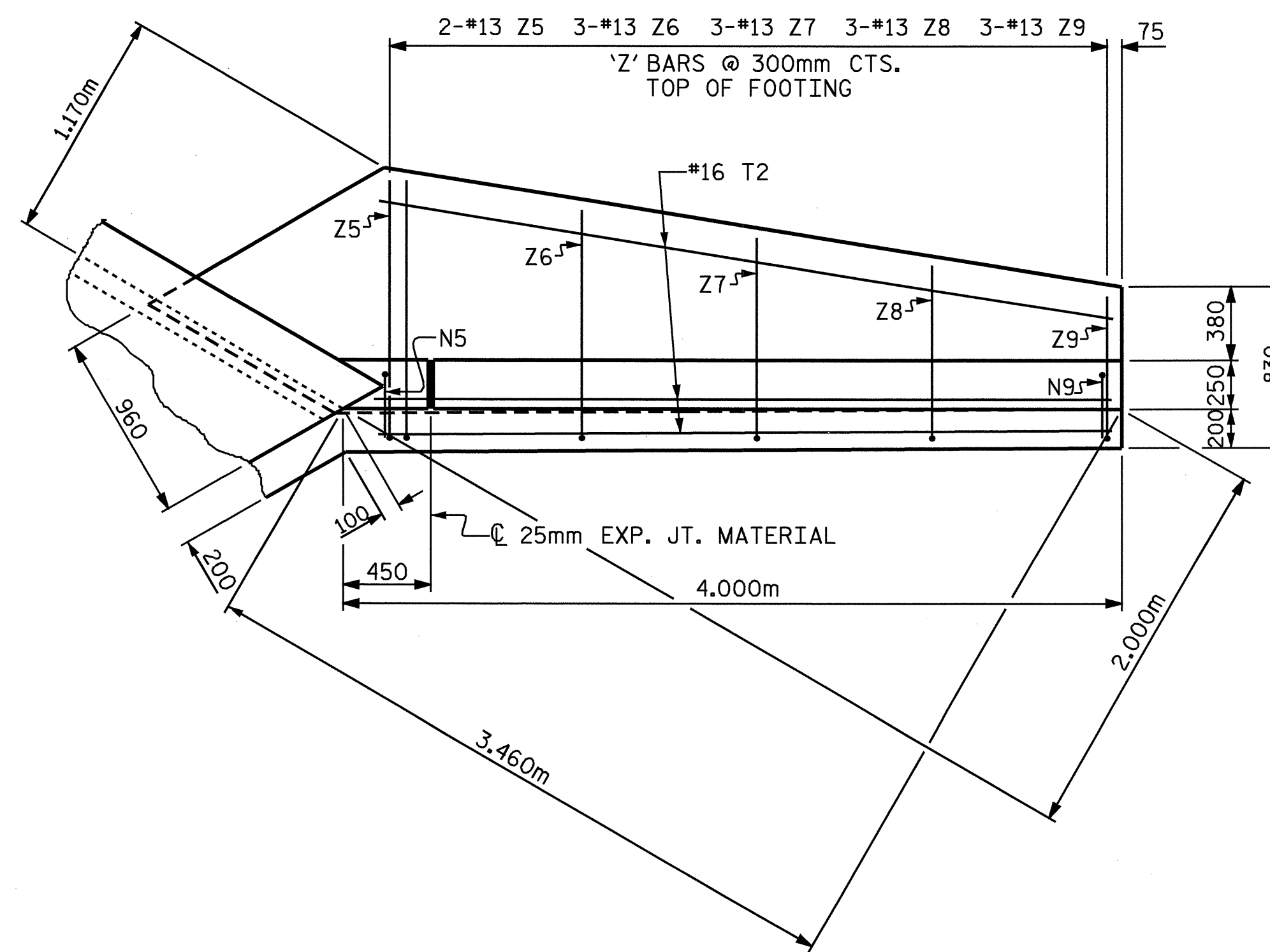
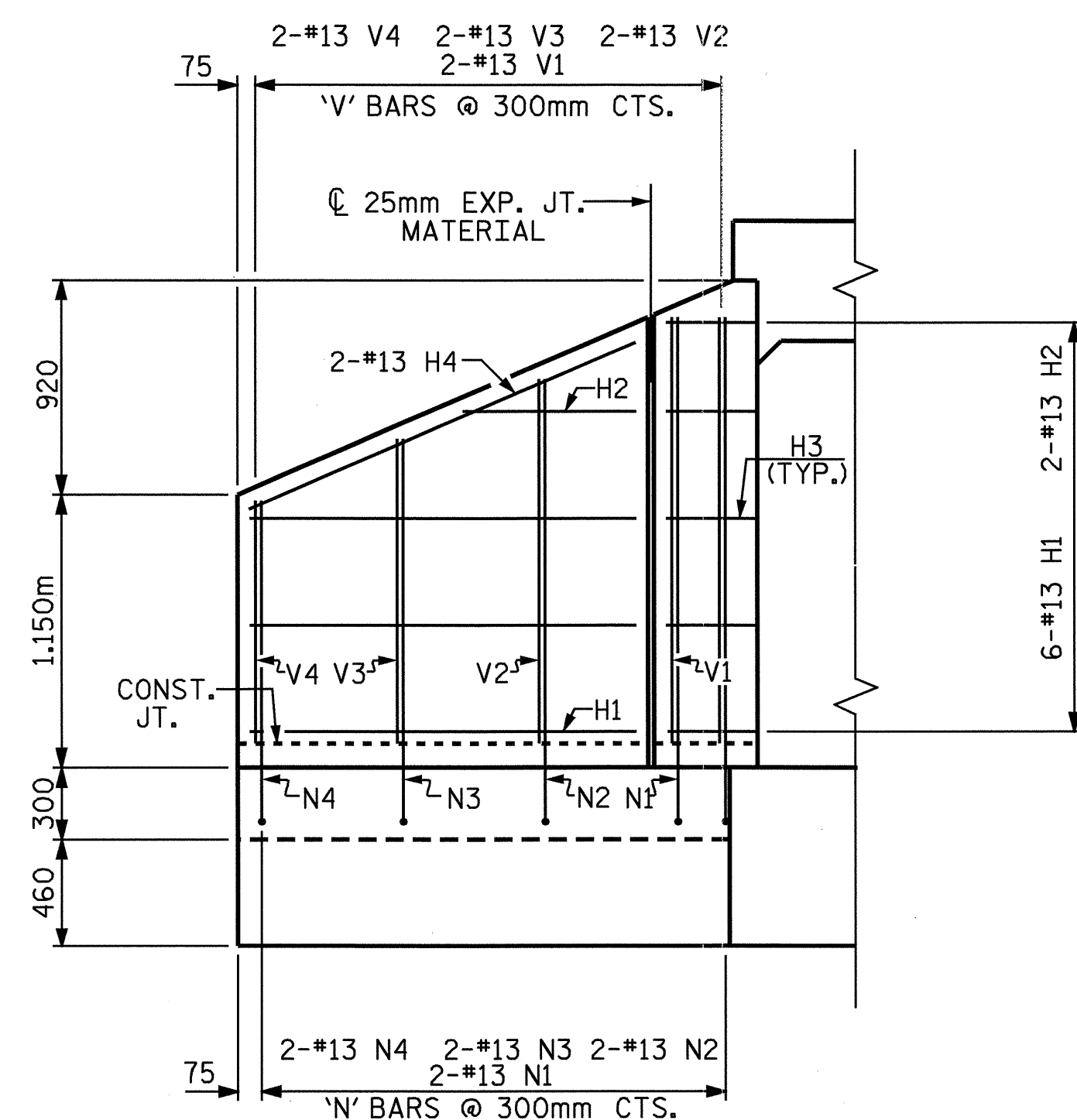


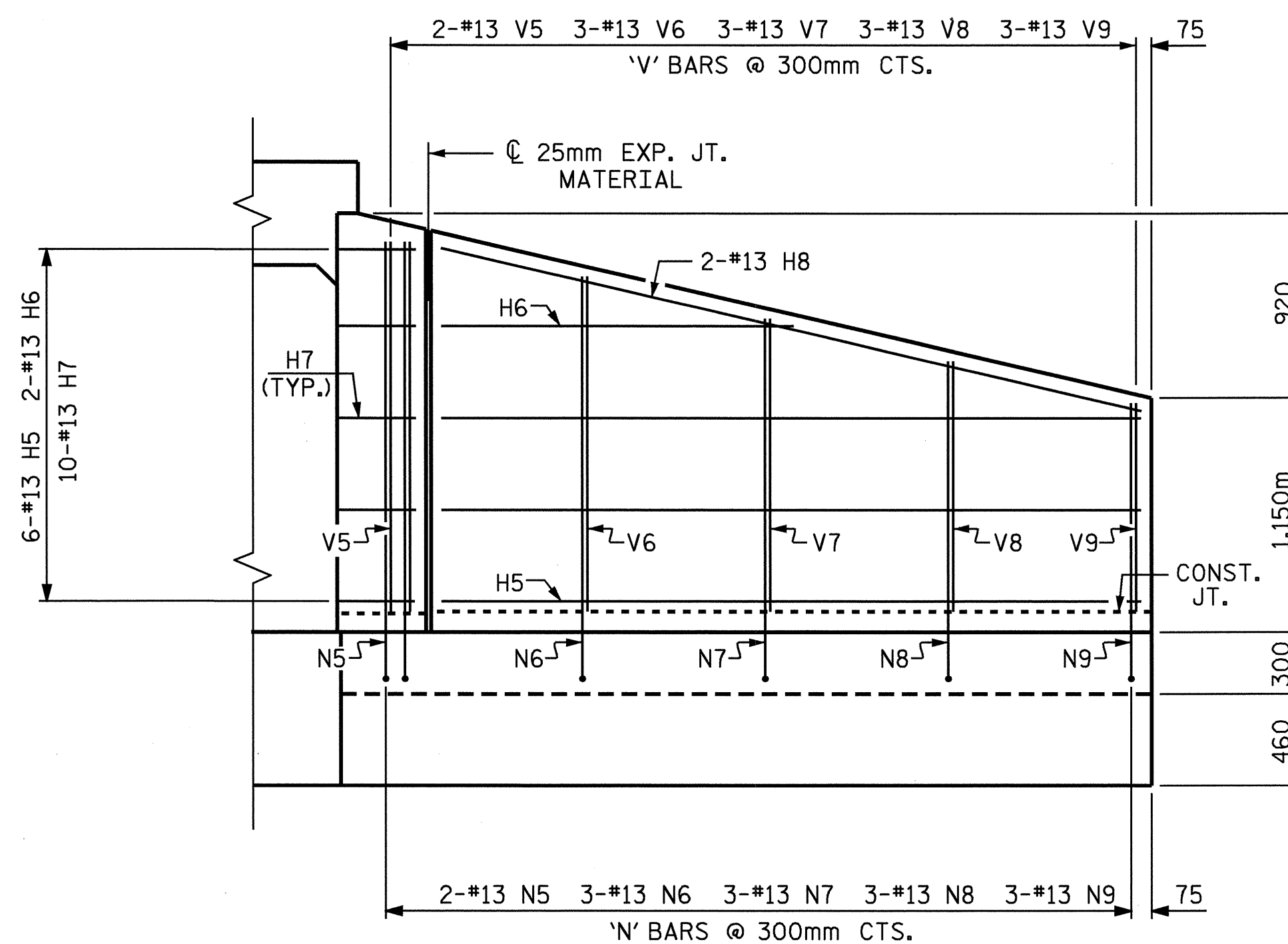
PLAN W2



PLAN W1



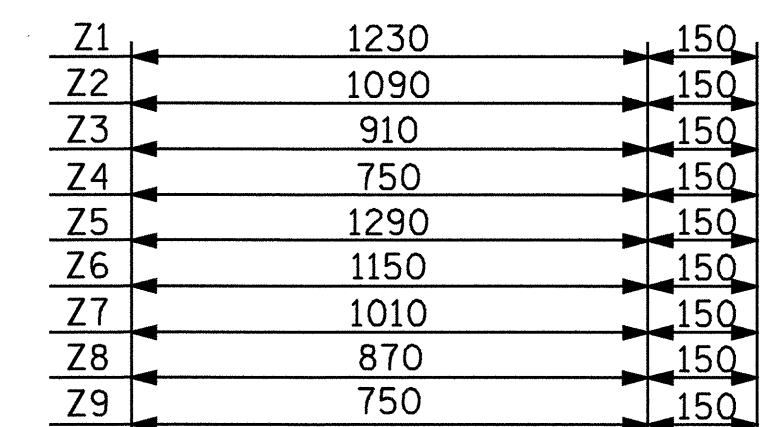
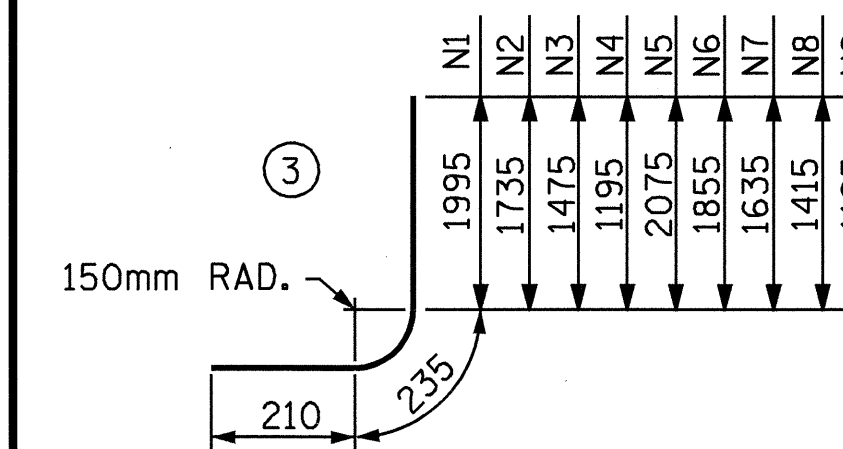
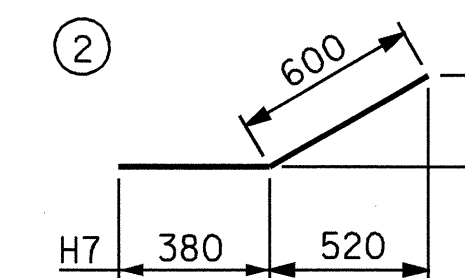
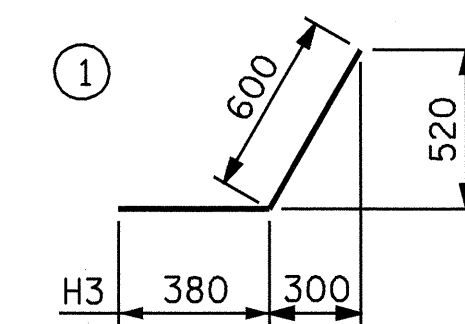
ELEVATION W2



ELEVATION W1

BAR TYPES

ALL BAR DIMENSIONS ARE OUT TO OUT.



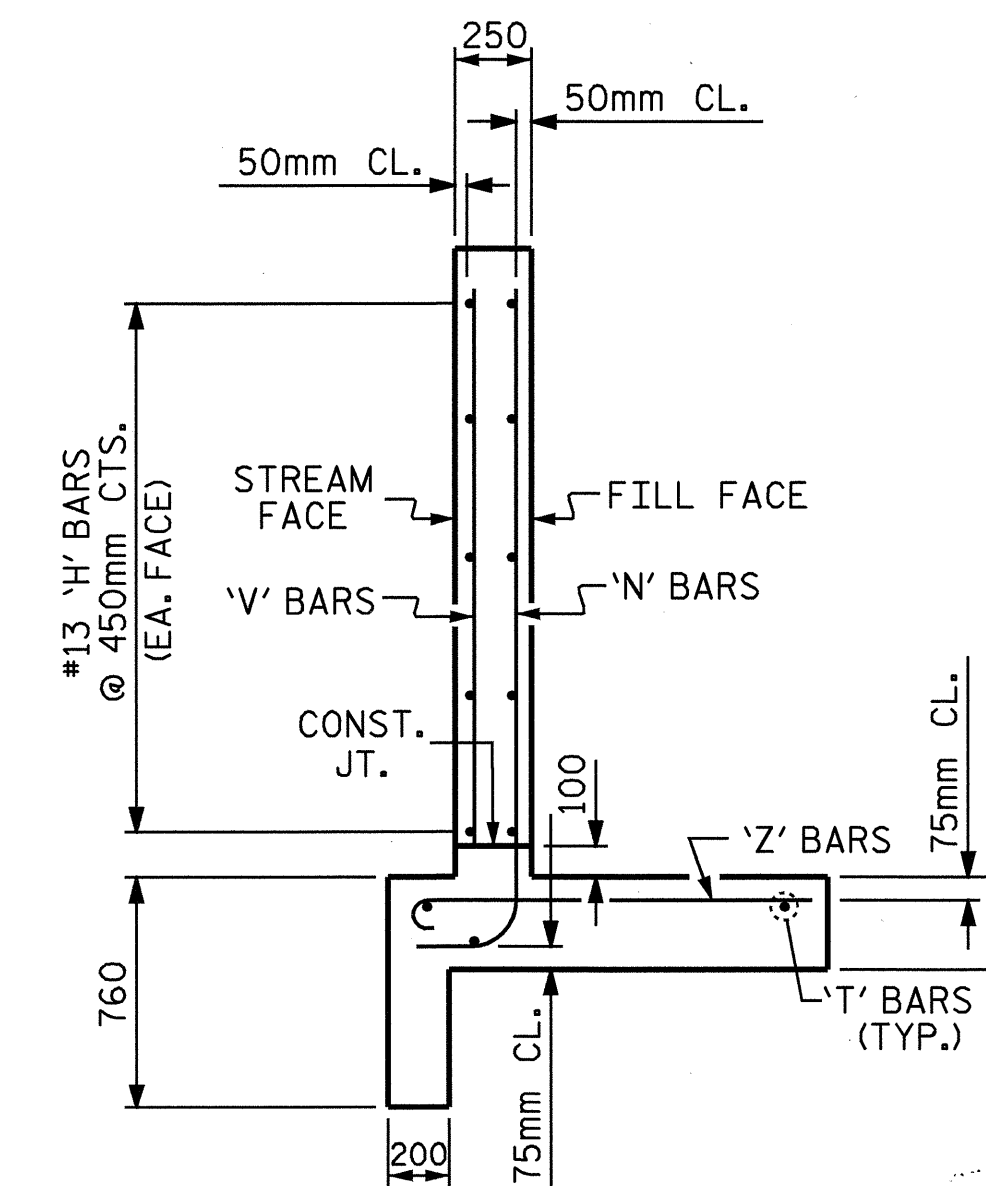
4

BILL OF MATERIAL

BAR NO.	NO.	SIZE	TYPE	LENGTH	WEIGHT
H1	12	13	STR	1640	20
H2	4	13	STR	780	3
H3	20	13	1	980	19
H4	4	13	STR	1780	7
H5	12	13	STR	3440	41
H6	4	13	STR	1940	8
H7	20	13	2	980	19
H8	4	13	STR	3520	14
N1	4	13	3	2440	10
N2	4	13	3	2180	9
N3	4	13	3	1920	8
N4	4	13	3	1640	7
N5	4	13	3	2520	10
N6	6	13	3	2300	14
N7	6	13	3	2080	12
N8	6	13	3	1860	11
N9	6	13	3	1640	10
T1	6	16	STR	2200	20
T2	6	16	STR	4000	37
V1	4	13	STR	1820	7
V2	4	13	STR	1560	6
V3	4	13	STR	1300	5
V4	4	13	STR	1020	4
V5	4	13	STR	1900	8
V6	6	13	STR	1680	10
V7	6	13	STR	1460	9
V8	6	13	STR	1240	7
V9	6	13	STR	1020	6
Z1	4	13	4	1380	5
Z2	4	13	4	1240	5
Z3	4	13	4	1060	4
Z4	4	13	4	900	4
Z5	4	13	4	1440	6
Z6	6	13	4	1300	8
Z7	6	13	4	1160	7
Z8	6	13	4	1020	6
Z9	6	13	4	900	5

REINFORCING STEEL FOR 4 WING WALLS 391 kg

CLASS A CONCRETE  
 4 WINGS 10.6 m<sup>3</sup>  
 2 HEADWALLS 0.7 m<sup>3</sup>  
 2 END CURTAIN WALLS 0.8 m<sup>3</sup>  
 TOTAL 12.1 m<sup>3</sup>

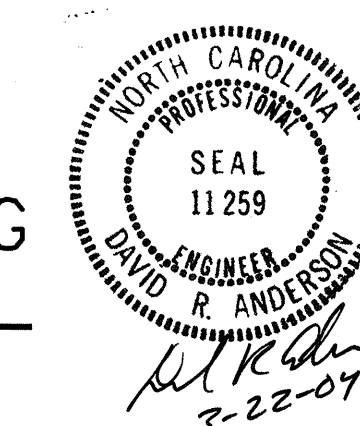


TYPICAL WING SECTION

PROJECT NO. R-513C  
 ROBESON COUNTY  
 STATION: 252+60.000 -L-

SHEET 3 OF 3

STATE OF NORTH CAROLINA  
 DEPARTMENT OF TRANSPORTATION  
 RALEIGH  
 STANDARD WINGS  
 FOR  
 CONCRETE BOX CULVERT  
 H=1.800m SLOPE=2:1  
 120° SKEW



ASSEMBLED BY : T.A. WALTER DATE : 12/21/00  
 CHECKED BY : S. RASHIDI DATE : 11/10/03  
 DRAWN BY : JLR 6/97  
 CHECKED BY : VAP 6/97

FOR WING ORIENTATION, SEE BARREL STANDARD SHEET.

REVISIONS						SHEET NO.
NO.	BY:	DATE:	NO.	BY:	DATE:	C-3
1			3			TOTAL SHEETS 7
2			4			