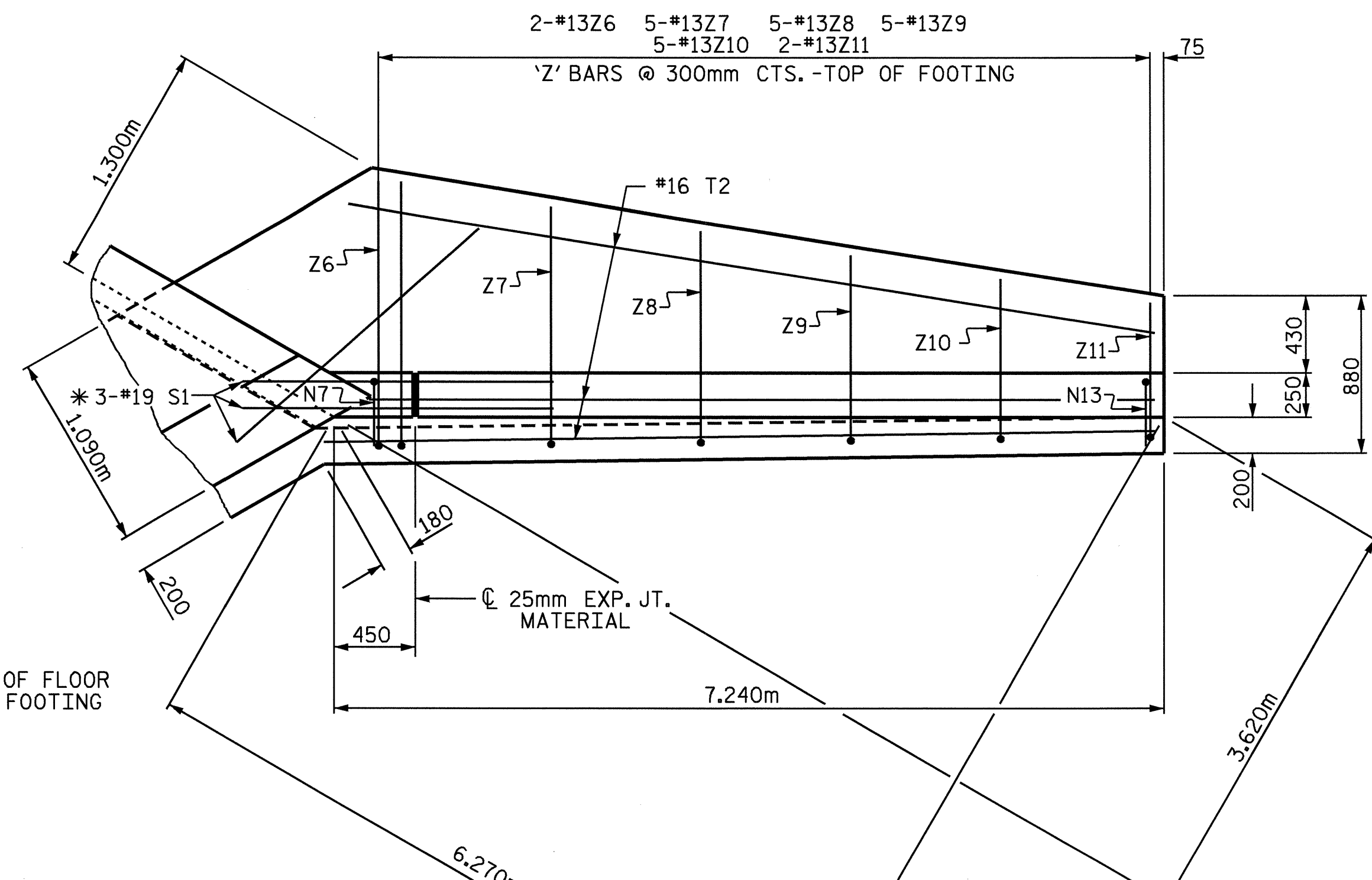
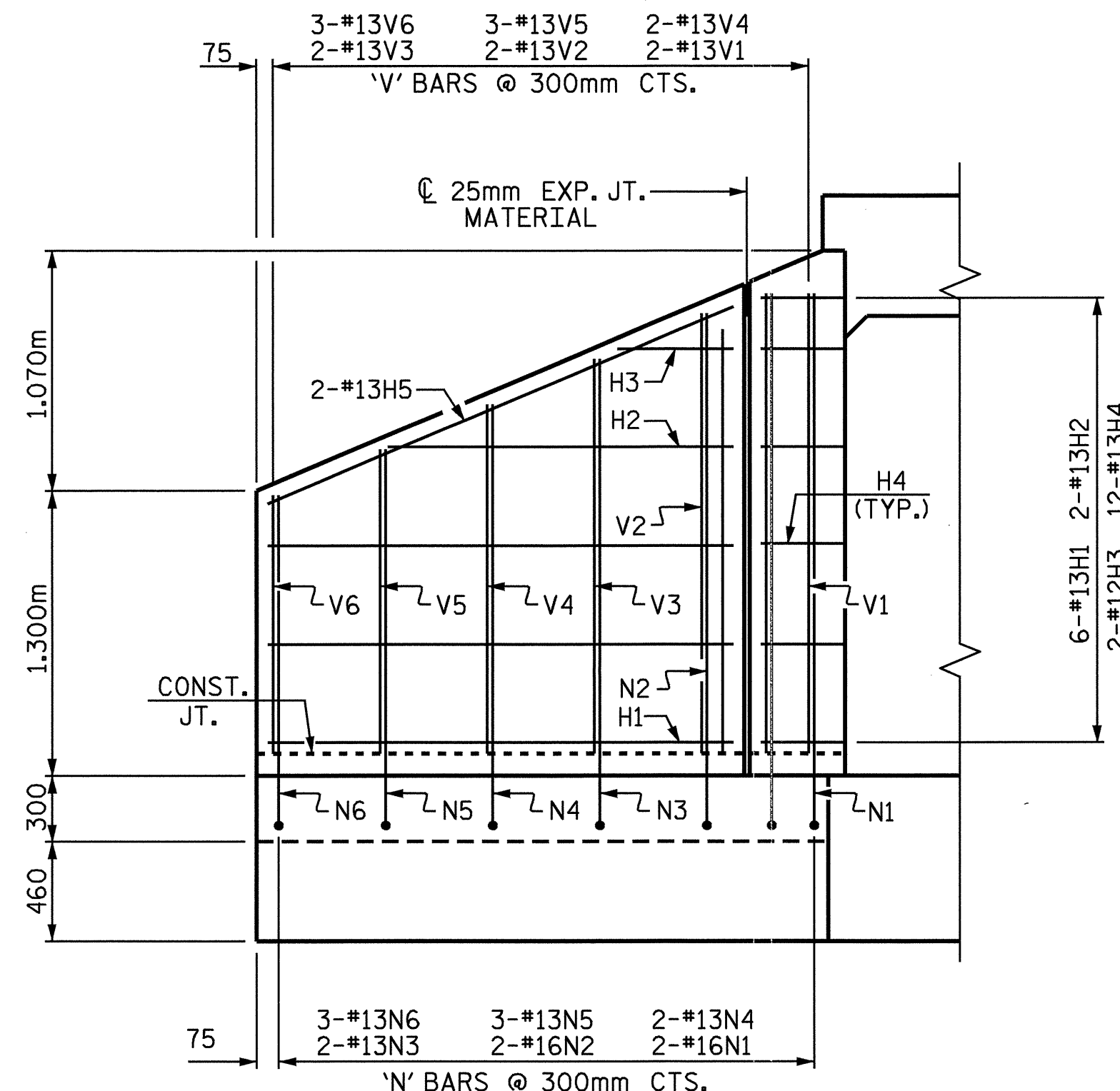


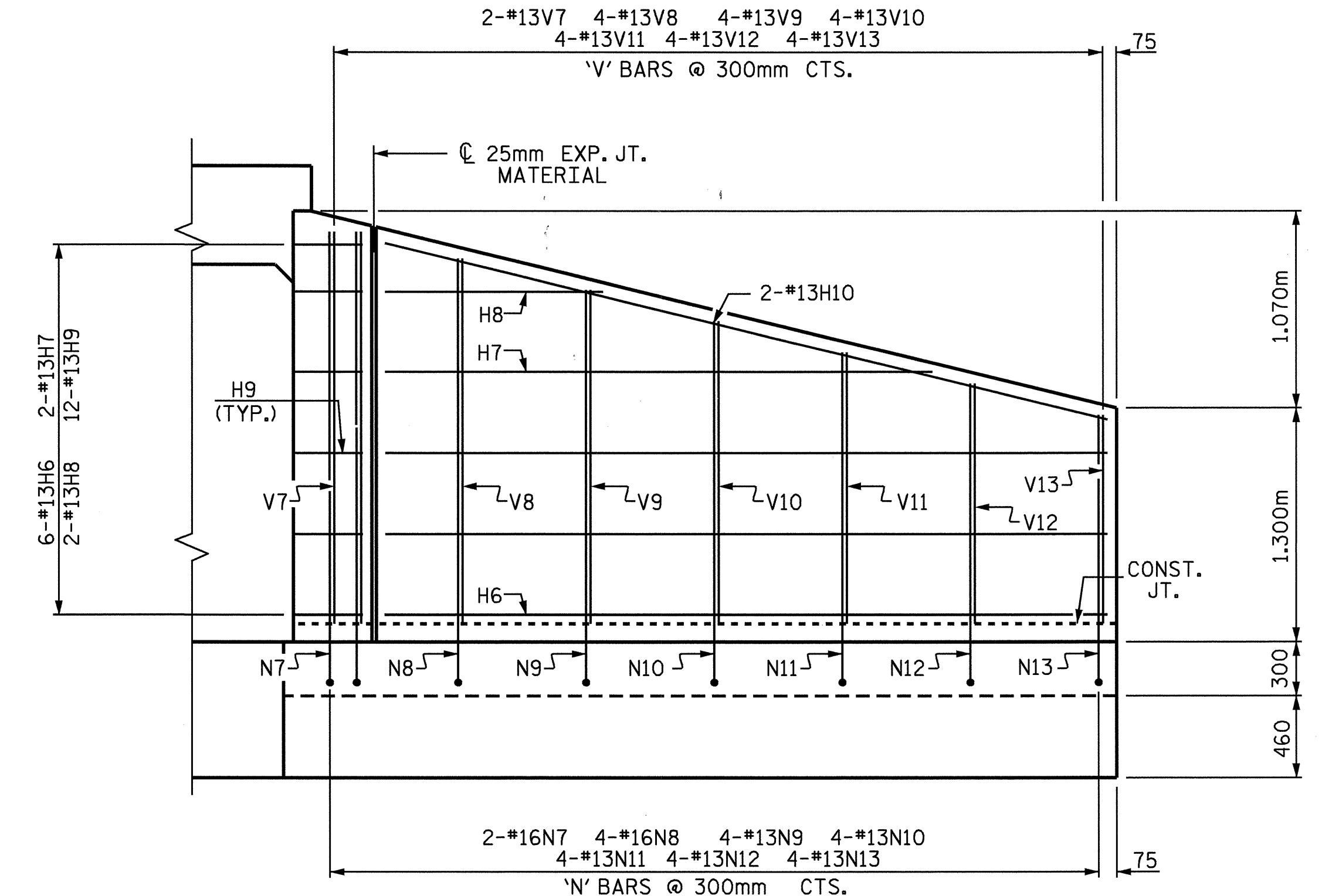
PLAN W4



PLAN W3



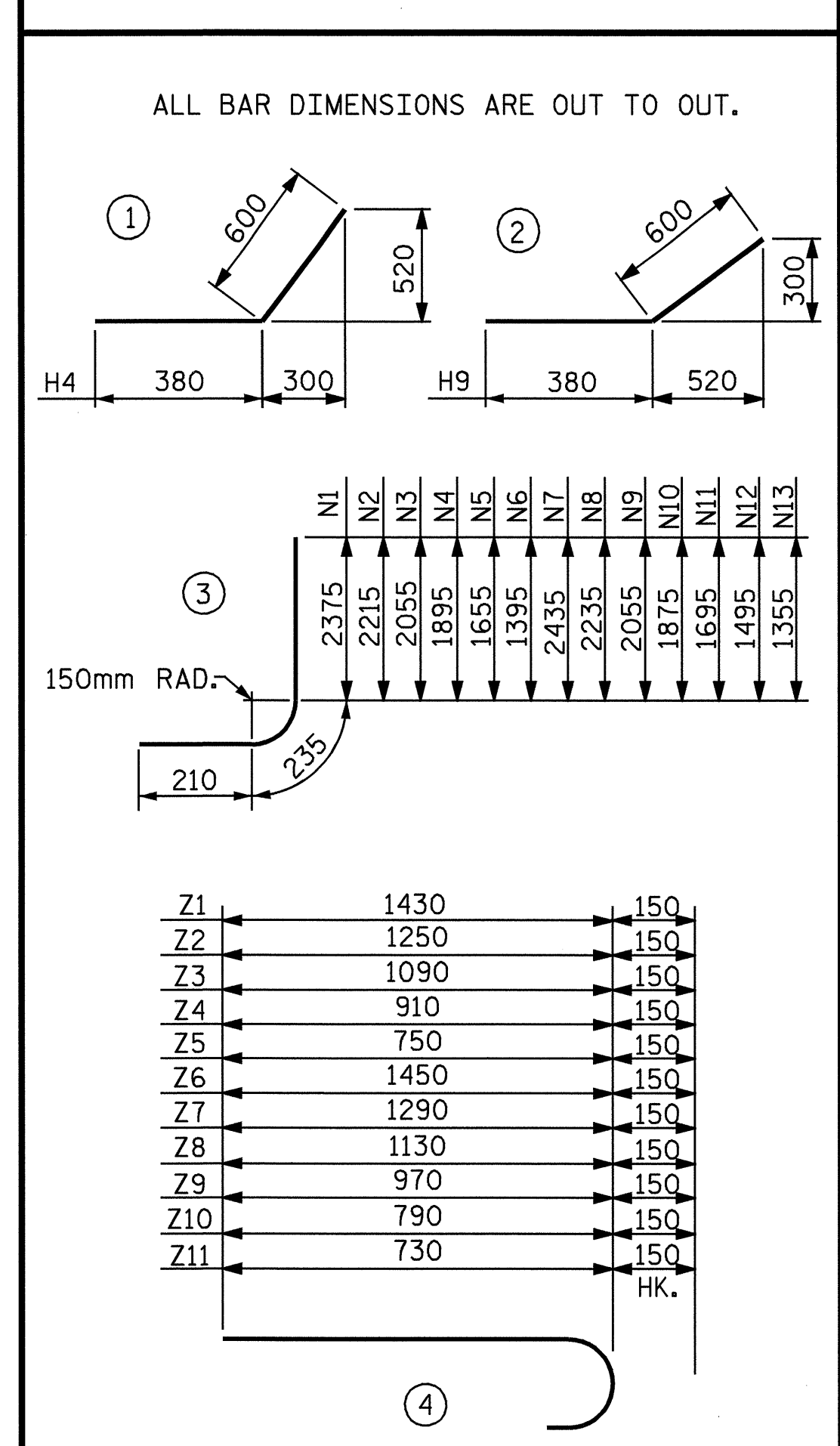
ELEVATION W4



ELEVATION W3

FOR WING ORIENTATION, SEE BARREL STANDARD SHEET.

BAR TYPES



ALL BAR DIMENSIONS ARE OUT TO OUT

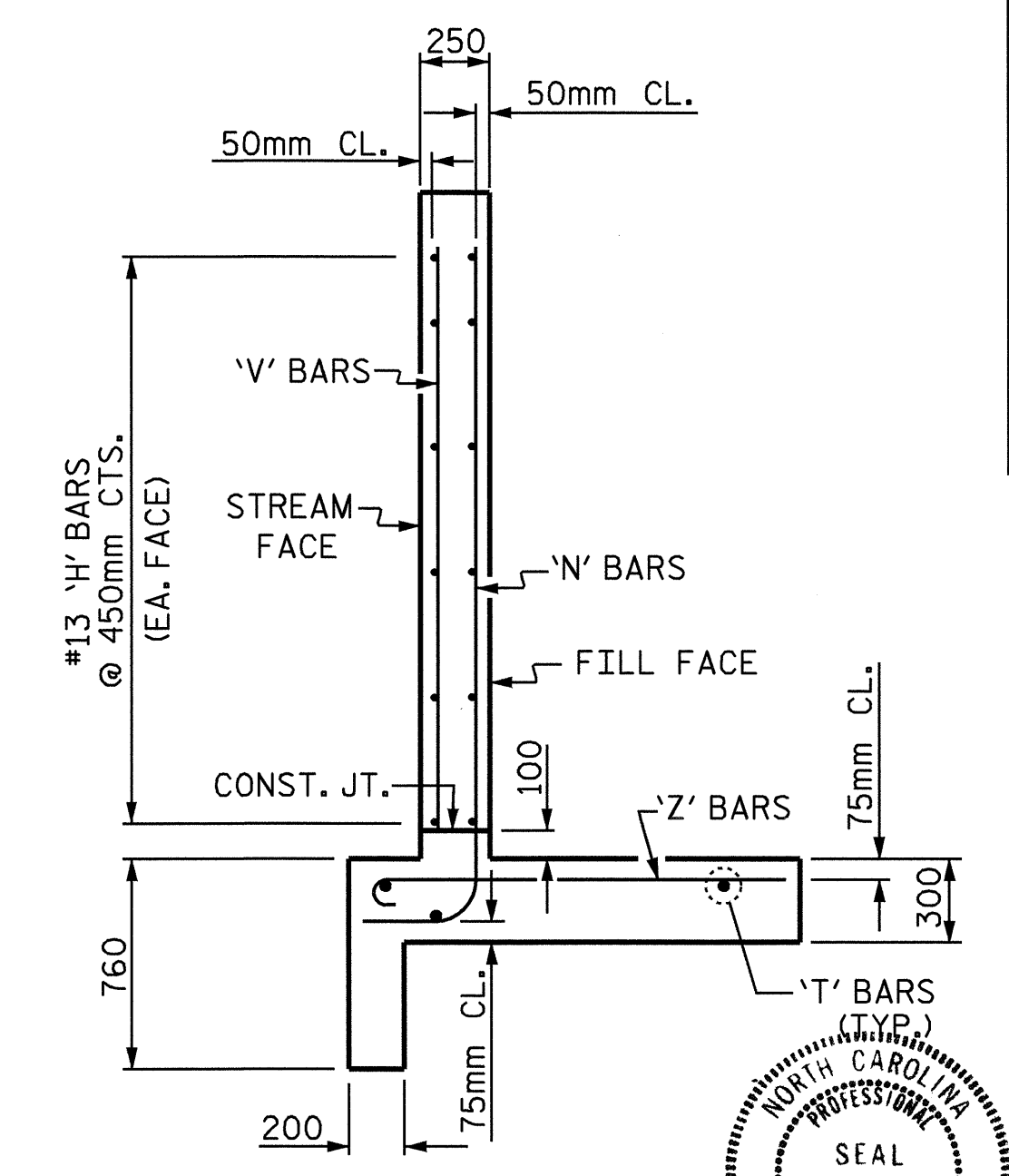
BILL OF MATERIAL

BAR NO.	SIZE	TYPE	LENGTH	WEIGHT	
H1	6	13	STR	3560	21
H2	2	13	STR	2680	5
H3	2	13	STR	1660	3
H4	12	13	1	980	12
H5	2	13	STR	3700	7
H6	6	13	STR	6680	40
H7	2	13	STR	5120	10
H8	2	13	STR	2200	4
H9	12	13	2	980	12
H10	2	13	STR	6760	13
N1	2	16	3	2820	9
N2	2	16	3	2660	8
N3	2	13	3	2500	5
N4	2	13	3	2340	5
N5	3	13	3	2100	6
N6	3	13	3	1840	5
N7	2	16	3	2880	9
N8	4	16	3	2680	17
N9	4	13	3	2500	10
N10	4	13	3	2320	9
N11	4	13	3	2140	9
N12	4	13	3	1940	8
N13	4	13	3	1800	7
S1	6	19	STR	1800	24
T1	3	16	STR	4120	19
T2	3	16	STR	7240	34
V1	2	13	STR	2140	4
V2	2	13	STR	1960	4
V3	2	13	STR	1800	4
V4	2	13	STR	1640	4
V5	2	13	STR	1400	3
V6	3	13	STR	1160	3
V7	2	13	STR	2180	4
V8	4	13	STR	2420	10
V9	4	13	STR	1800	7
V10	4	13	STR	1620	6
V11	4	13	STR	1440	6
V12	4	13	STR	1260	5
V13	4	13	STR	1120	4
Z1	2	13	4	1580	3
Z2	3	13	4	1400	4
Z3	3	13	4	1240	4
Z4	3	13	4	1060	3
Z5	3	13	4	900	3
Z6	2	13	4	1600	3
Z7	5	13	4	1440	7
Z8	5	13	4	1280	6
Z9	5	13	4	1120	6
Z10	5	13	4	940	5
Z11	2	13	4	880	2

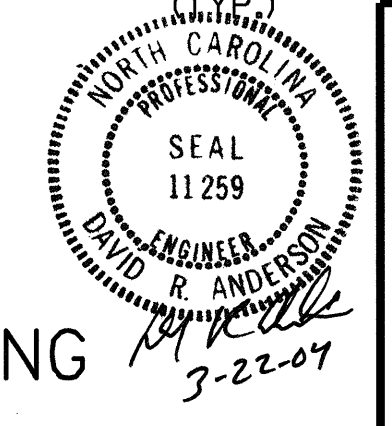
REINFORCING STEEL FOR 2 WINGS 421 kg

CLASS A CONCRETE

2 WINGS	12.3	m ³
1 HEADWALL	0.3	m ³
1 END CURTAIN WALL	0.3	m ³
TOTAL	12.9	m ³



TYPICAL WING SECTION



PROJECT NO. R-513C
 ROBESON COUNTY
 STATION: 12+02.000 -Y1-

SHEET 4 OF 4

STATE OF NORTH CAROLINA
 DEPARTMENT OF TRANSPORTATION
 RALEIGH

INLET WINGS FOR
 CONCRETE BOX CULVERT
 H = 2.1m SLOPE = 3 : 1
 60° SKEW

REVISIONS					SHEET NO.
NO.	BY:	DATE:	NO.	BY:	DATE:
1			3		
2			4		

C-7
 7
 STR 9