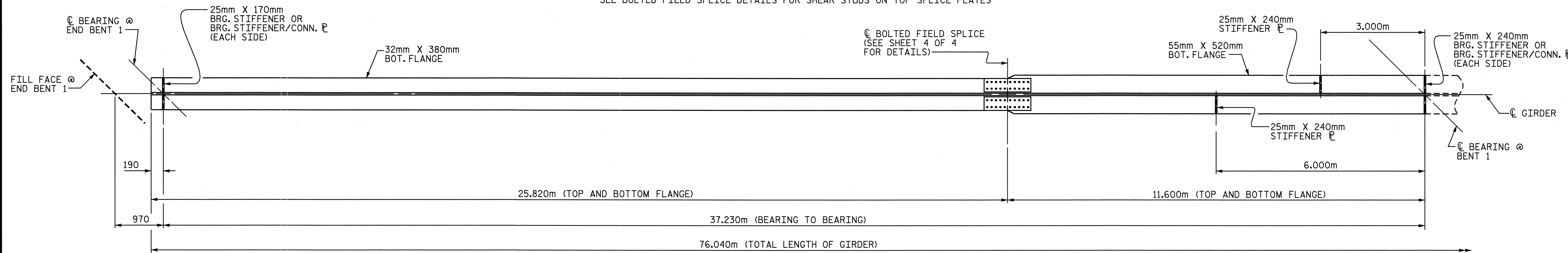


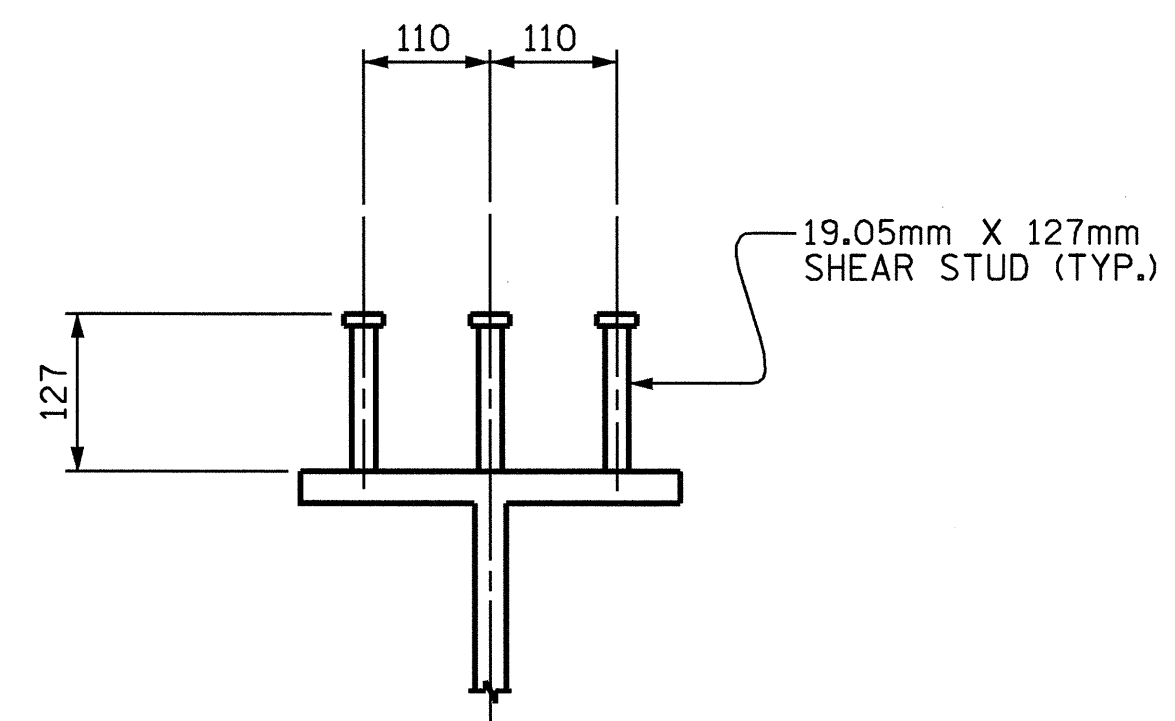
PLATE GIRDER ELEVATION

SEE BOLTED FIELD SPLICE DETAILS FOR SHEAR STUDS ON TOP SPLICE PLATES



BOTTOM FLANGE DETAIL

STIFFENER PLATES TO BE PLACED ON INSIDE FACE OF EXTERIOR GIRDERS



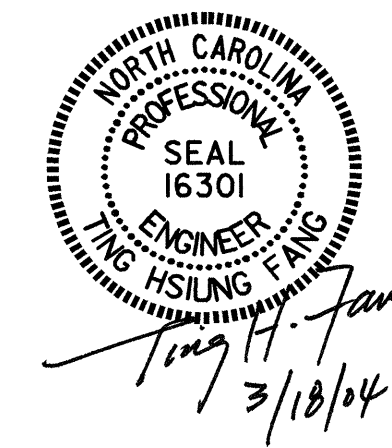
SHEAR STUD DETAIL

PROJECT NO. R-513BB
ROBESON COUNTY
 STATION: 179+16.663 -L-

SHEET 1 OF 4

STATE OF NORTH CAROLINA
 DEPARTMENT OF TRANSPORTATION
 RALEIGH

**SUPERSTRUCTURE
 STRUCTURAL STEEL**



DRAWN BY: T.A. WALTER DATE: 11/25/02
 CHECKED BY: N.Q. TRAN DATE: 7/03

REVISIONS						SHEET NO.
NO.	BY:	DATE:	NO.	BY:	DATE:	S-8
1			3			TOTAL SHEETS
2			4			312