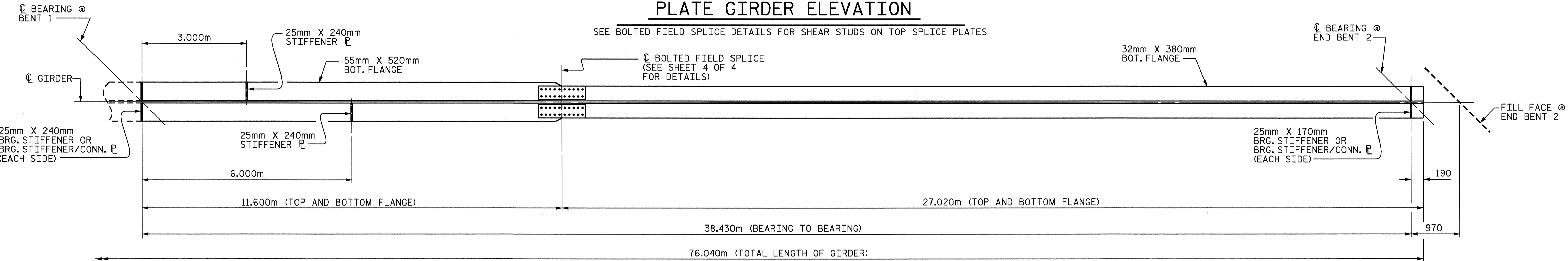
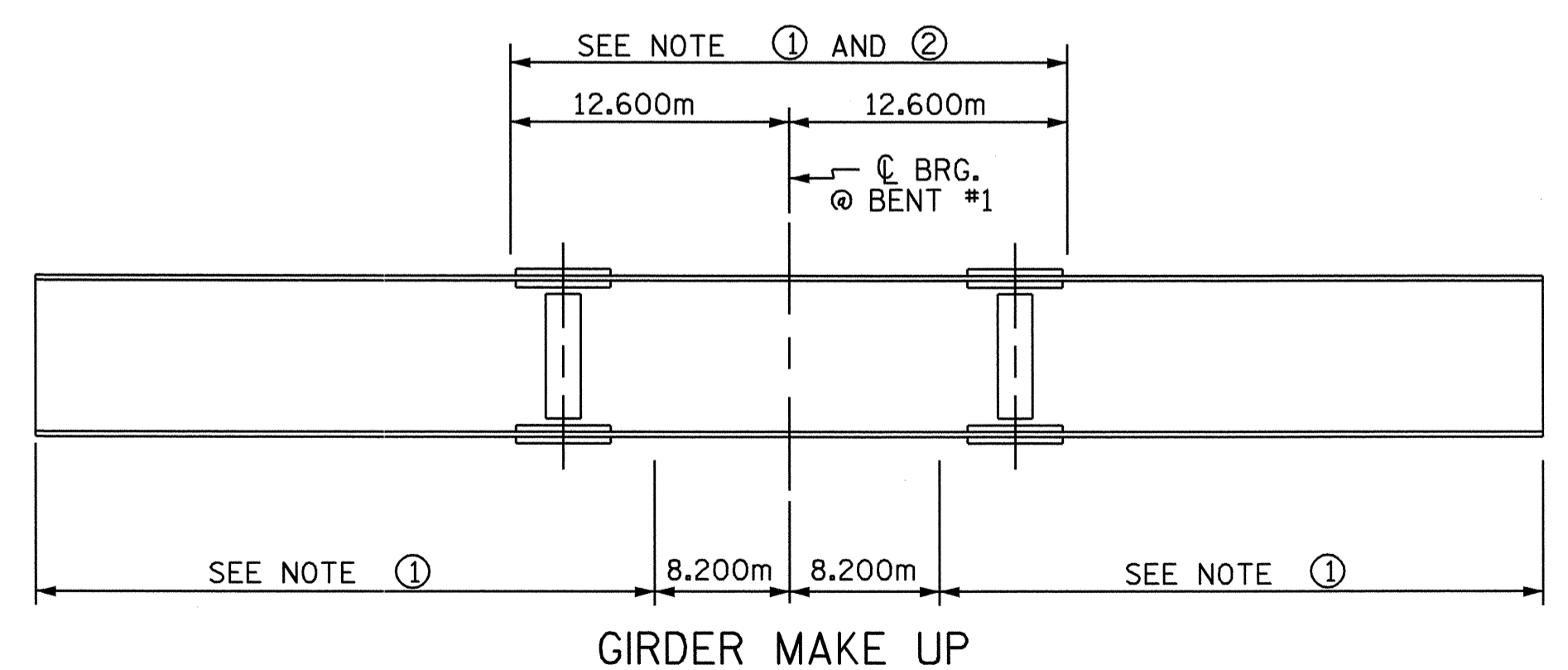


**PLATE GIRDER ELEVATION**



**BOTTOM FLANGE DETAIL**

STIFFENER PLATES TO BE PLACED ON INSIDE FACE OF EXTERIOR GIRDERS



**GIRDER MAKE UP**

NOTE ① : CHARPY V-NOTCH TESTS ARE REQUIRED FOR ALL TOP OR BOTTOM FLANGE PLATES WHICH FALL WITHIN THESE LIMITS, ALL WEB PLATES, AND ALL SPLICE PLATES. IF A PERMITTED SHOP FLANGE SPLICE IS NOT USED, CHARPY V-NOTCH TESTS WILL BE REQUIRED FOR THE ENTIRE FLANGE PLATE. FOR CHARPY V-NOTCH TESTS, SEE ARTICLE 1072-9 OF THE STANDARD SPECIFICATIONS.

NOTE ② : NO WELDING OF FORMS OR FALSEWORK TO THE TOP FLANGE WILL BE PERMITTED IN THIS REGION.

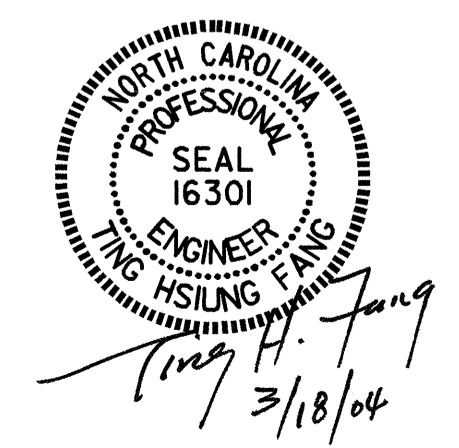
**CHARPY V-NOTCH TESTS FOR CONTINUOUS PLATE GIRDERS**

PROJECT NO. R-513BB  
ROBESON COUNTY  
STATION: 179+16.663 -L-

SHEET 2 OF 4

STATE OF NORTH CAROLINA  
DEPARTMENT OF TRANSPORTATION  
RALEIGH

**SUPERSTRUCTURE  
STRUCTURAL STEEL**



DRAWN BY : T.A. WALTER DATE : 11/25/02  
CHECKED BY : N.Q. TRAN DATE : 7/03

REVISIONS						SHEET NO.
NO.	BY:	DATE:	NO.	BY:	DATE:	S-9
1			3			TOTAL SHEETS
2			4			312