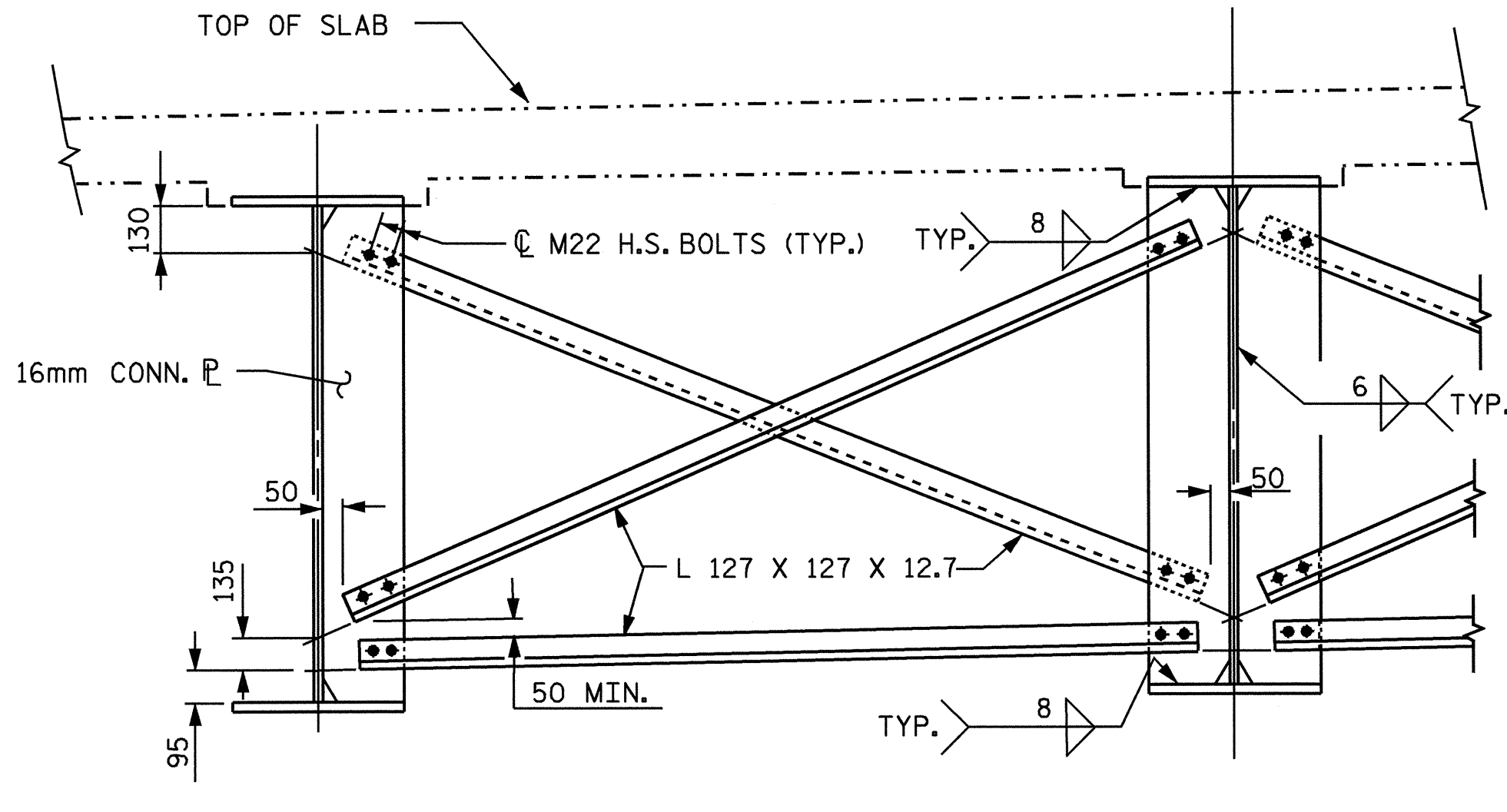
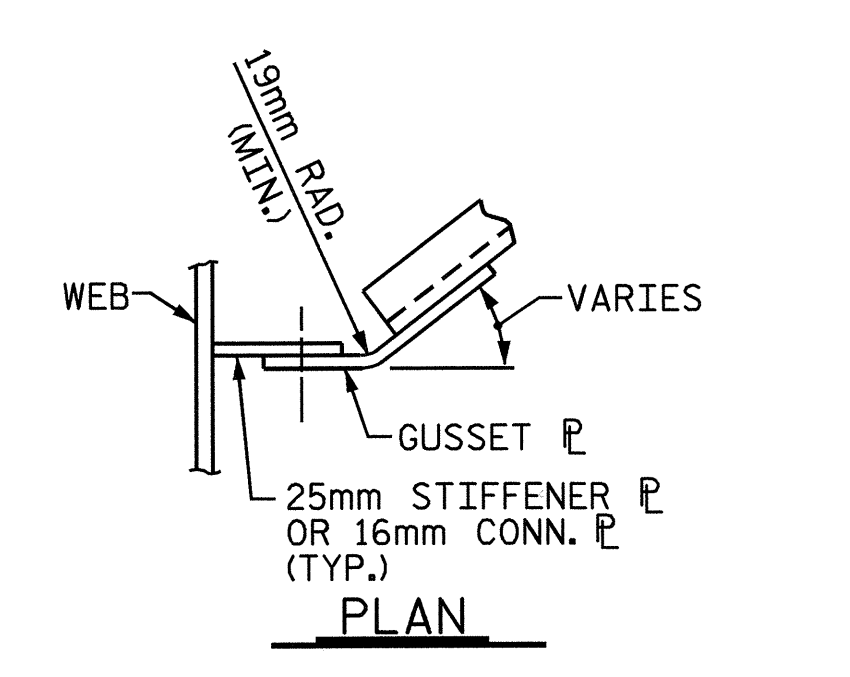


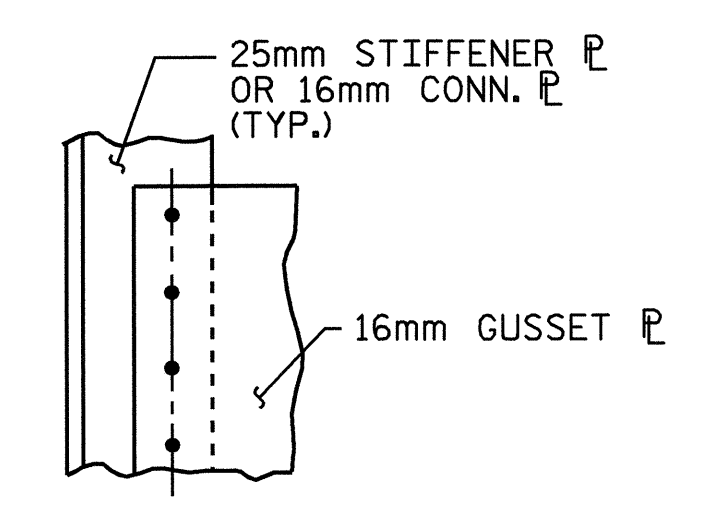
END BENTS 1 & 2 DIAPHRAGM (D1)



INTERMEDIATE DIAPHRAGM (D2)

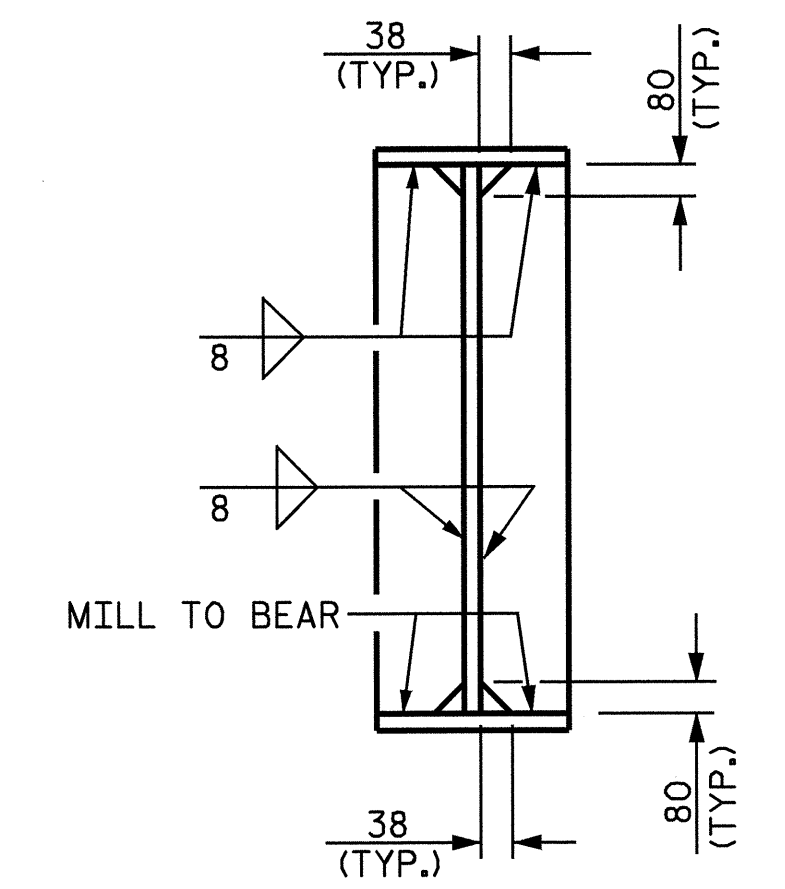


PLAN

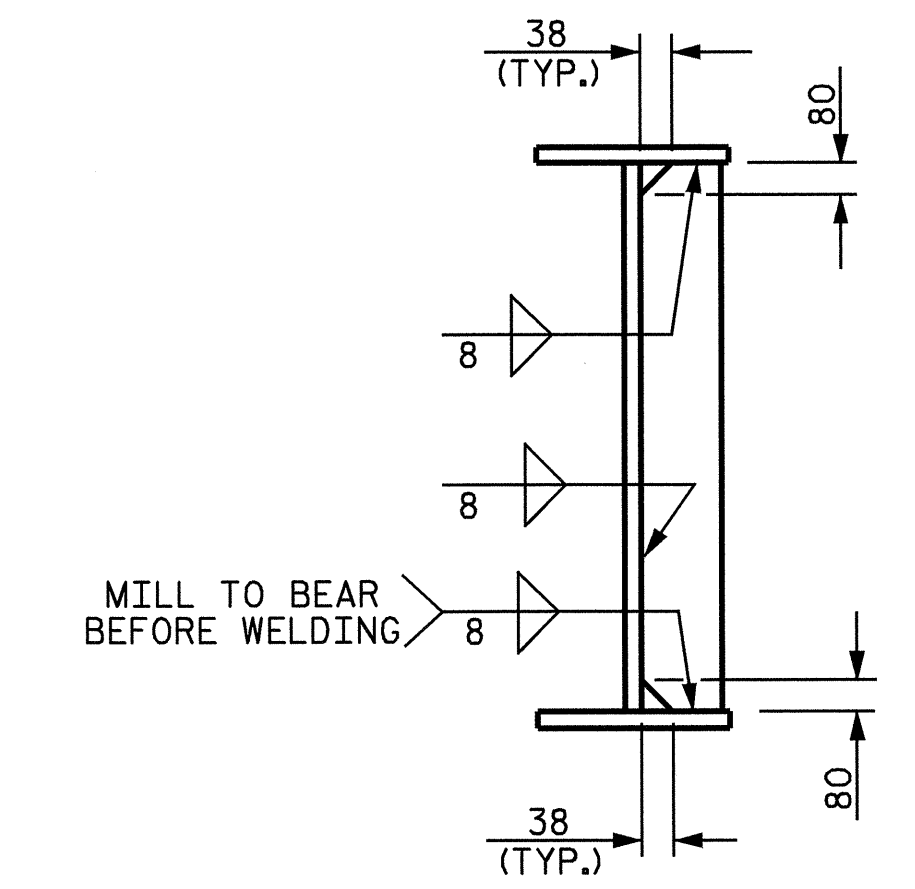


ELEVATION

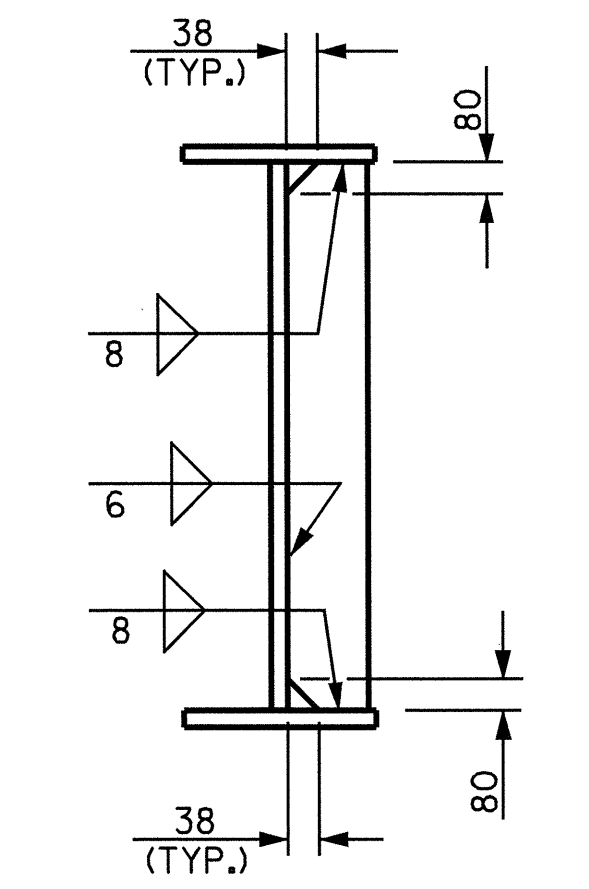
GUSSET PLATE DETAILS



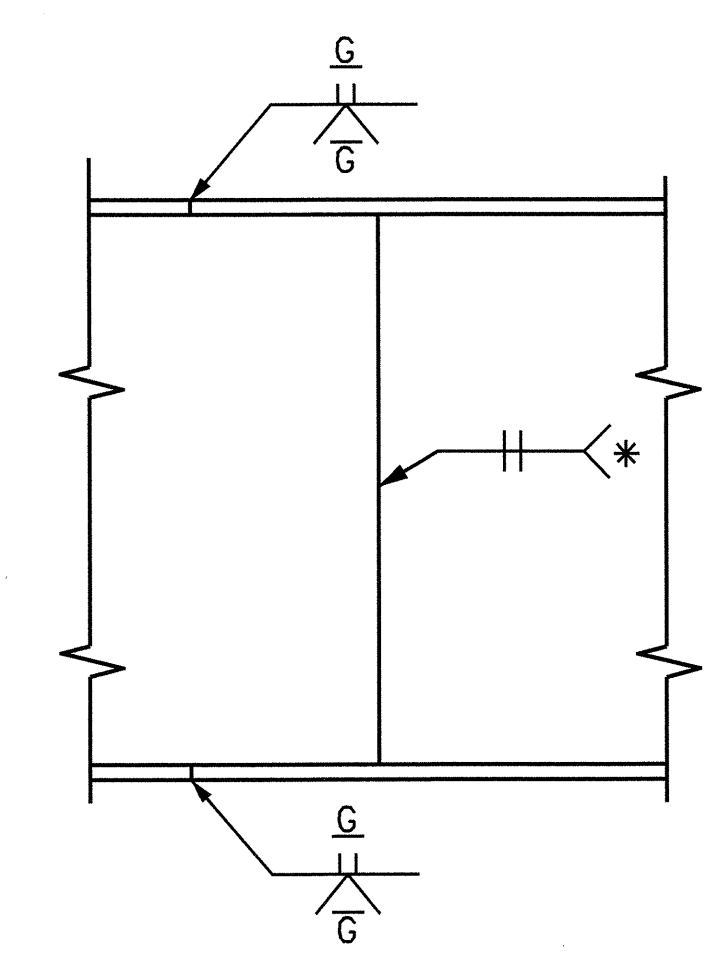
BEARING STIFFENER



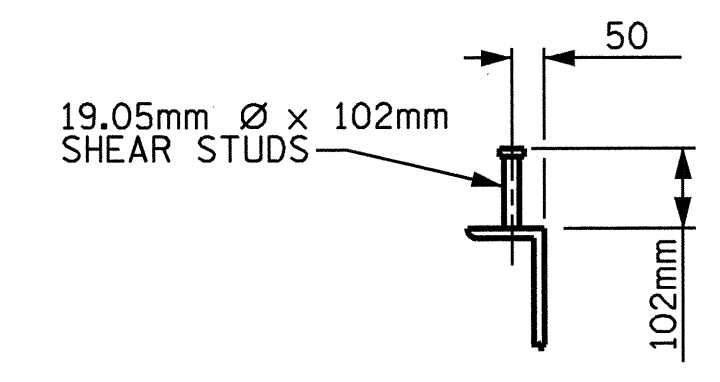
BEARING STIFFENER / CONNECTOR PLATE



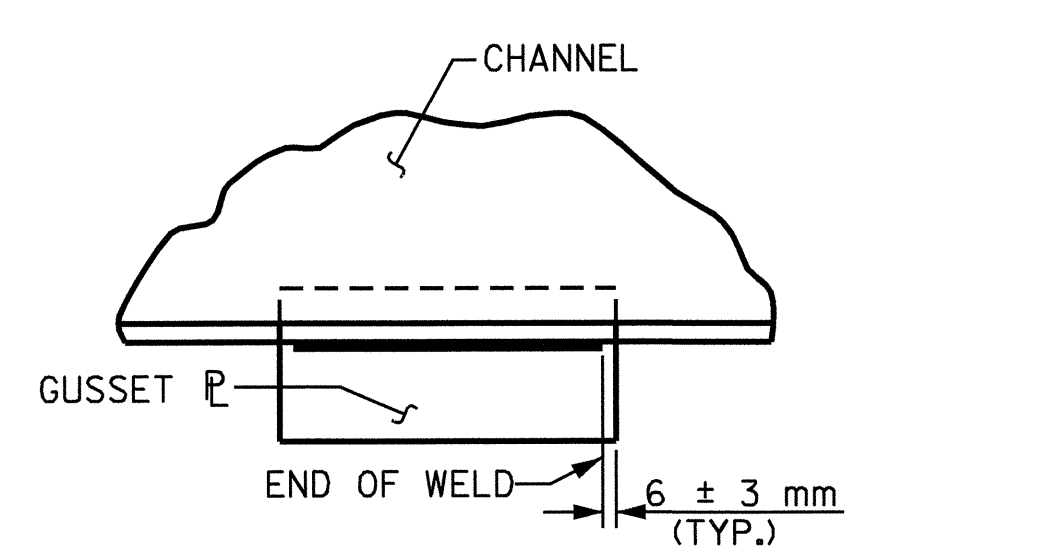
CONNECTOR PLATE



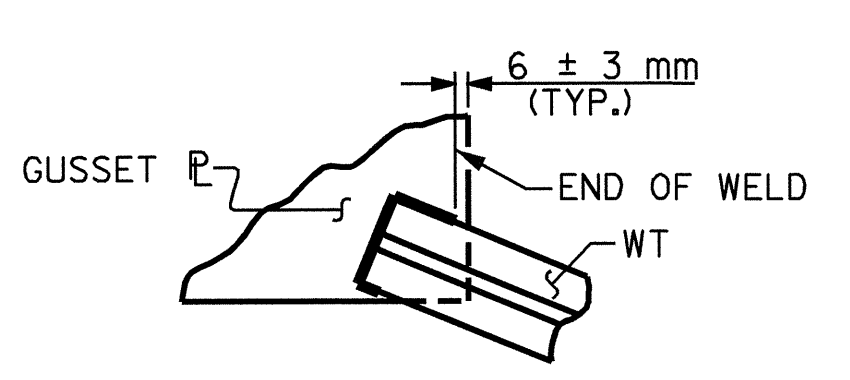
PERMISSIBLE SHOP WEB SPLICE
* GRIND SMOOTH AND FLUSH ON OUTSIDE OF EXTERIOR GIRDERS



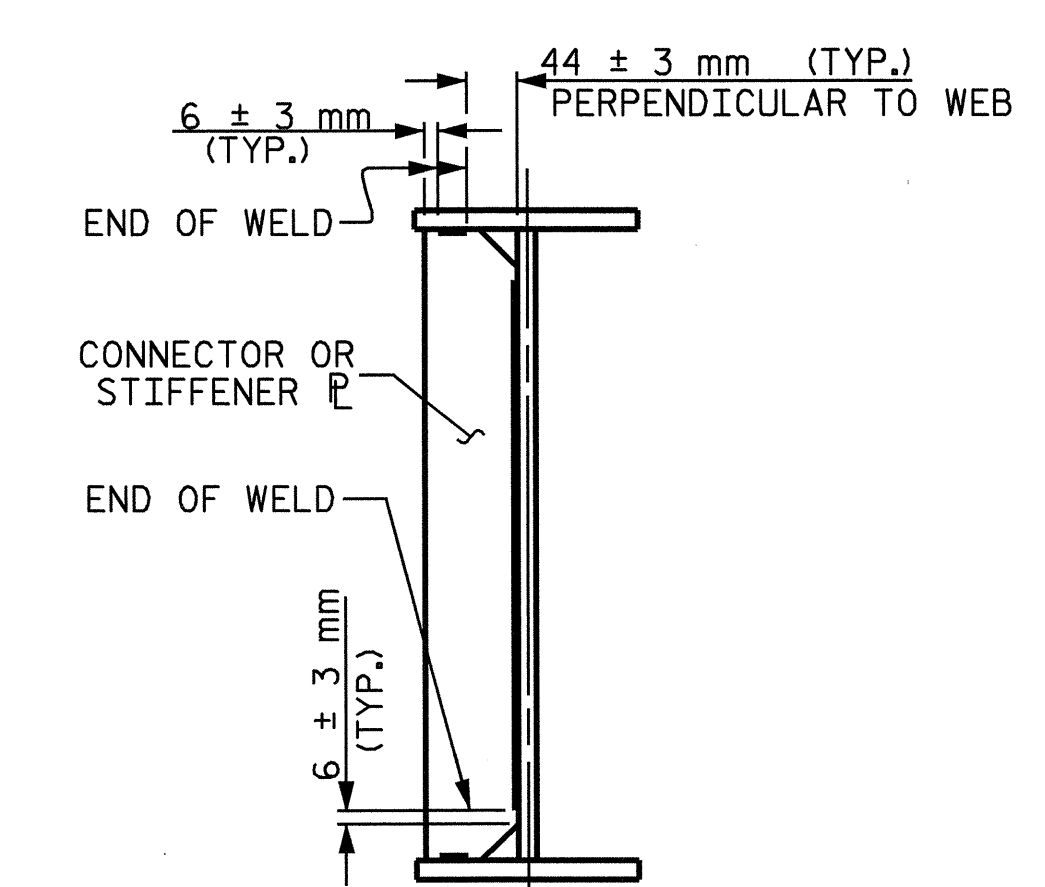
SHEAR STUD DETAIL



TYPICAL GUSSET PLATE CONNECTION

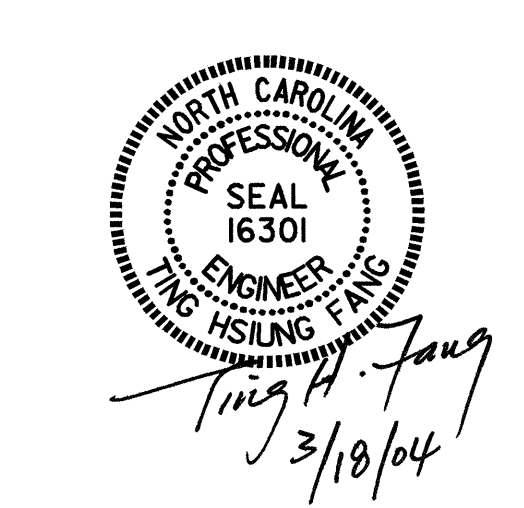


TYPICAL "TEE" TO GUSSET PLATE CONNECTION



TYPICAL STIFFENER OR CONNECTOR PLATE CONNECTIONS

WELD TERMINATION DETAILS



PROJECT NO. R-513BB
ROBESON COUNTY
STATION: 179+16.663 -L-

SHEET 3 OF 4

STATE OF NORTH CAROLINA
DEPARTMENT OF TRANSPORTATION
RALEIGH

**SUPERSTRUCTURE
STRUCTURAL STEEL
DETAILS**

REVISIONS						SHEET NO.	
NO.	BY:	DATE:	NO.	BY:	DATE:	S-10	
1			3			TOTAL	312
2			4			SHEETS	312