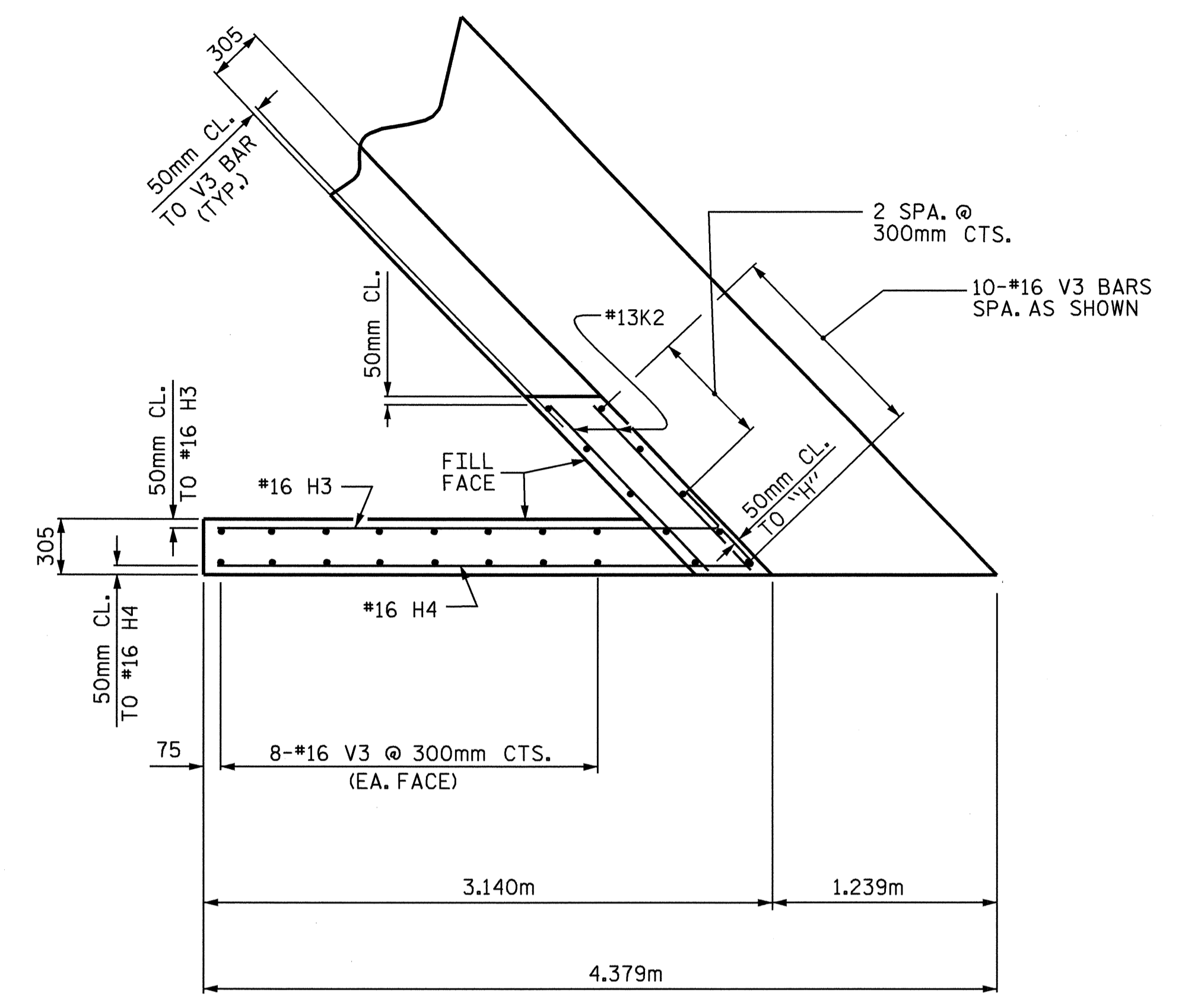
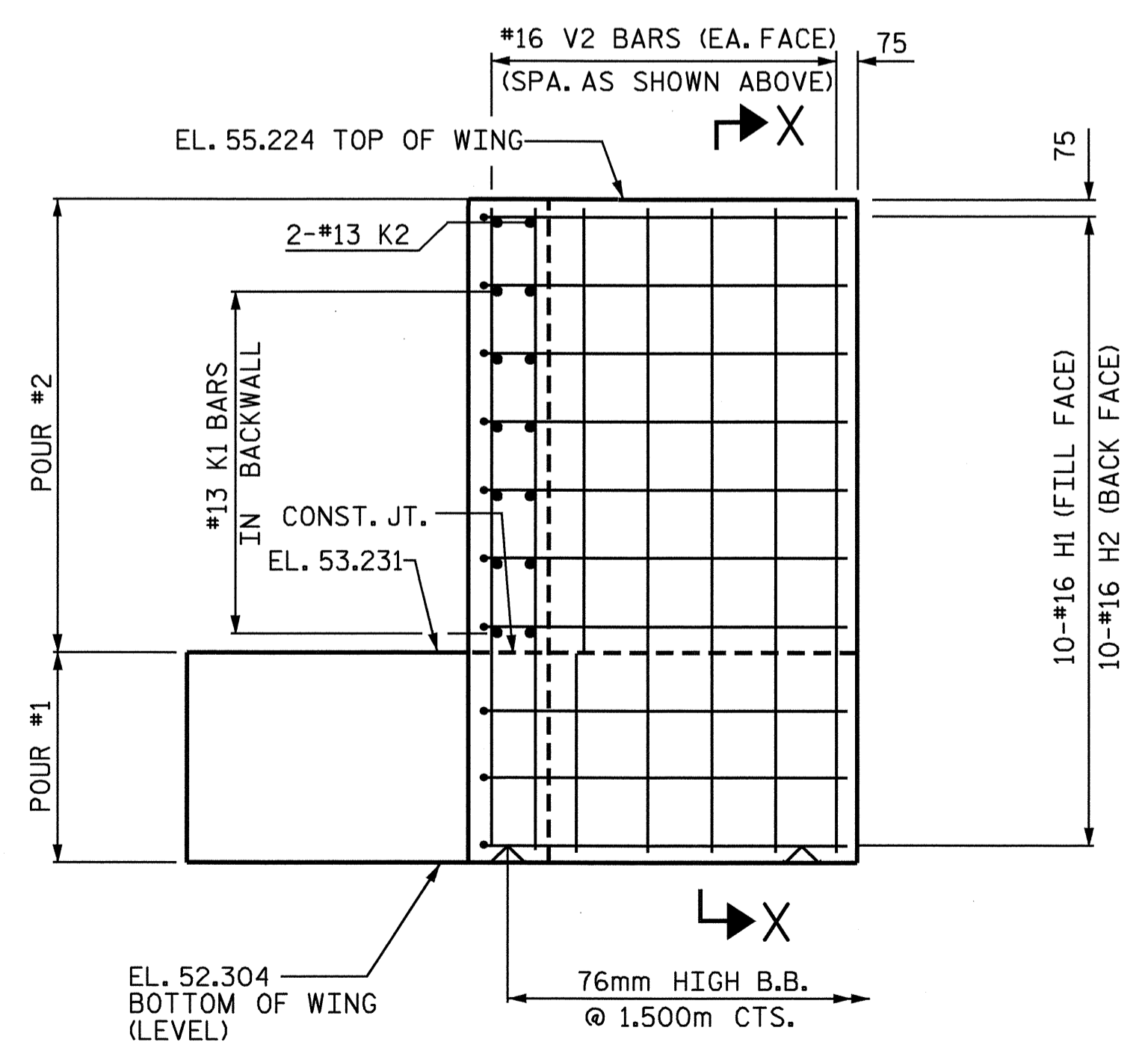


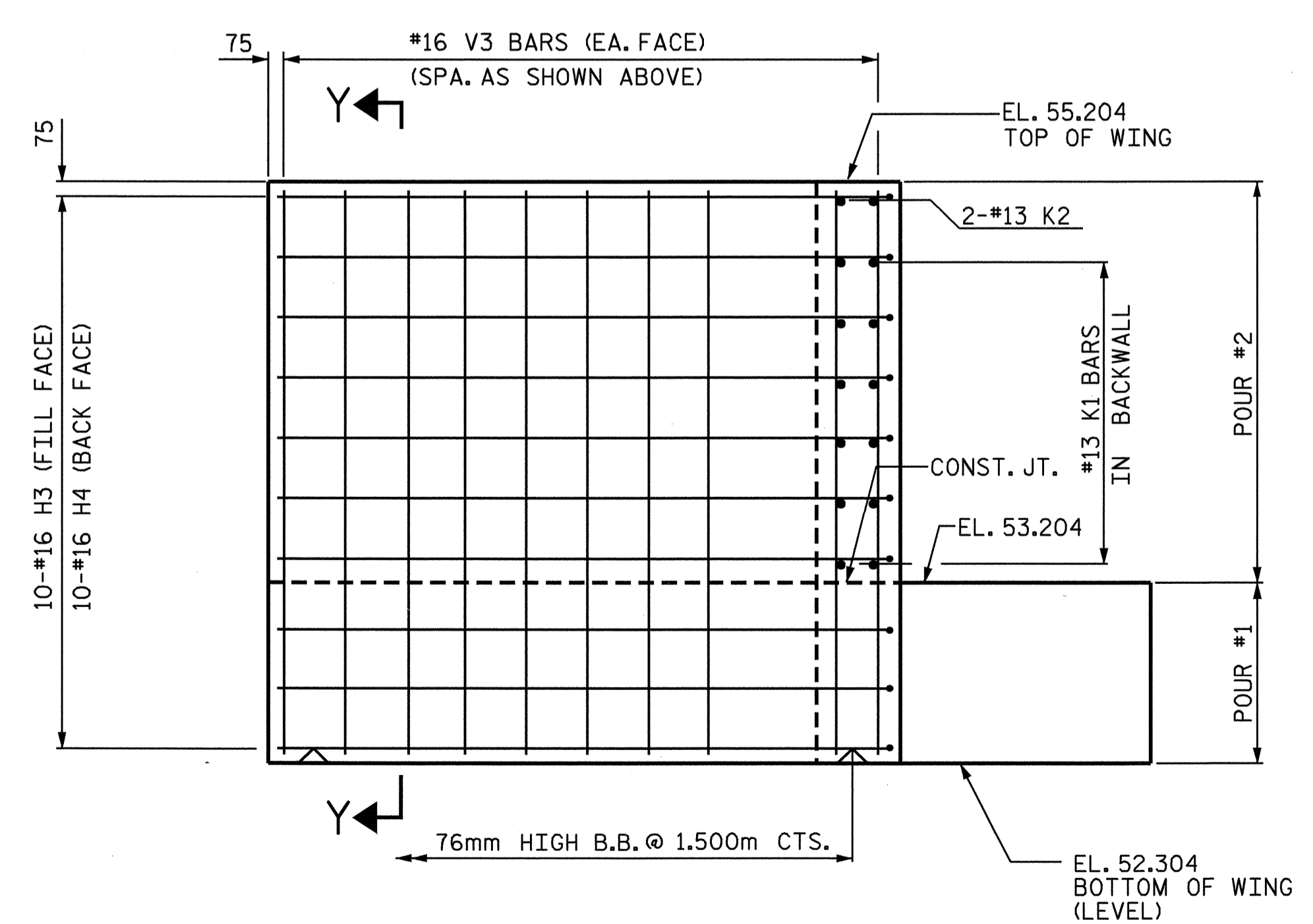
PLAN OF WING - W1



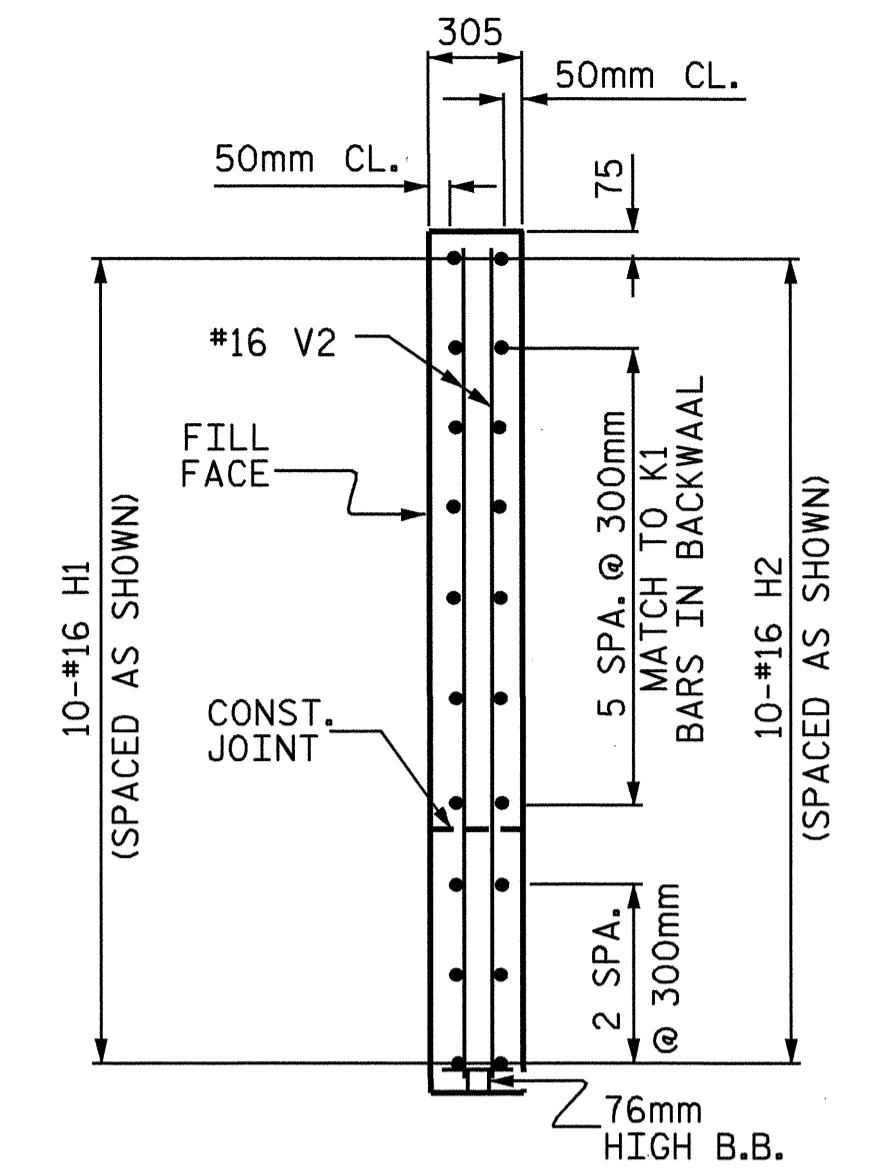
PLAN OF WING - W2



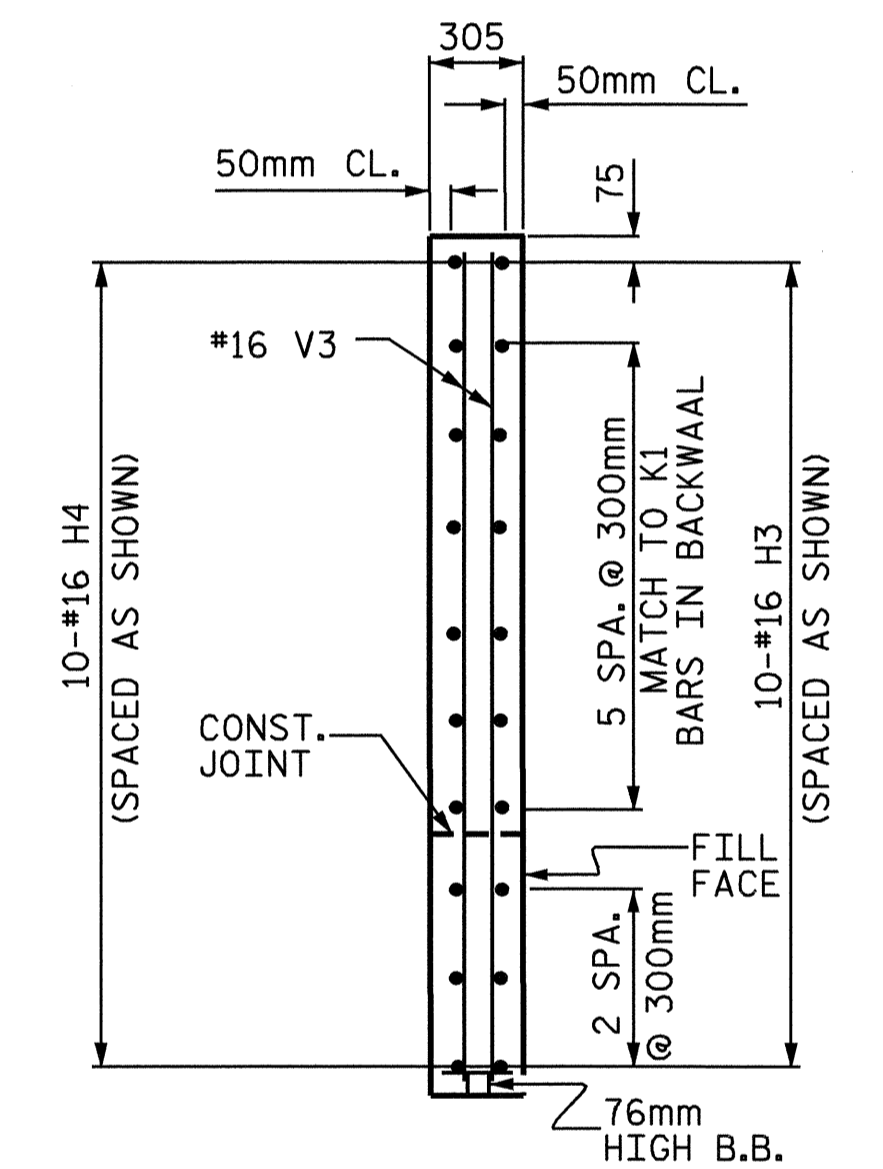
ELEVATION OF WING - W1



ELEVATION OF WING - W2



SECTION X-X



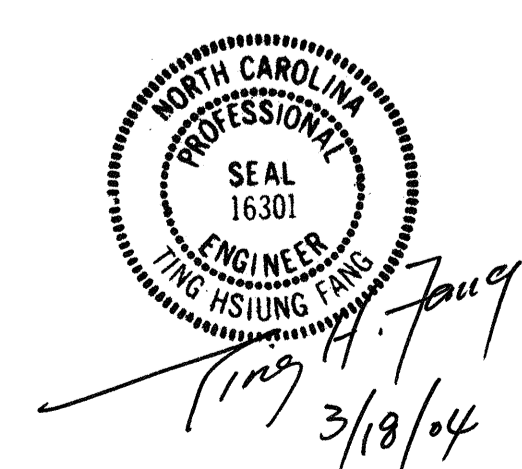
SECTION Y-Y

PROJECT NO. R-513BB  
ROBESON COUNTY  
STATION: 179+16.663 -L-

SHEET 2 OF 3

STATE OF NORTH CAROLINA  
DEPARTMENT OF TRANSPORTATION  
RALEIGH

SUBSTRUCTURE  
END BENT 1



DRAWN BY: S. M. RASHIDI DATE: 6/11/03  
CHECKED BY: T. H. PANH DATE: 7/21/04

REVISIONS						SHEET NO. 5-18
NO.	BY:	DATE:	NO.	BY:	DATE:	
1			3			TOTAL SHEETS 312
2			4			

STR. #1