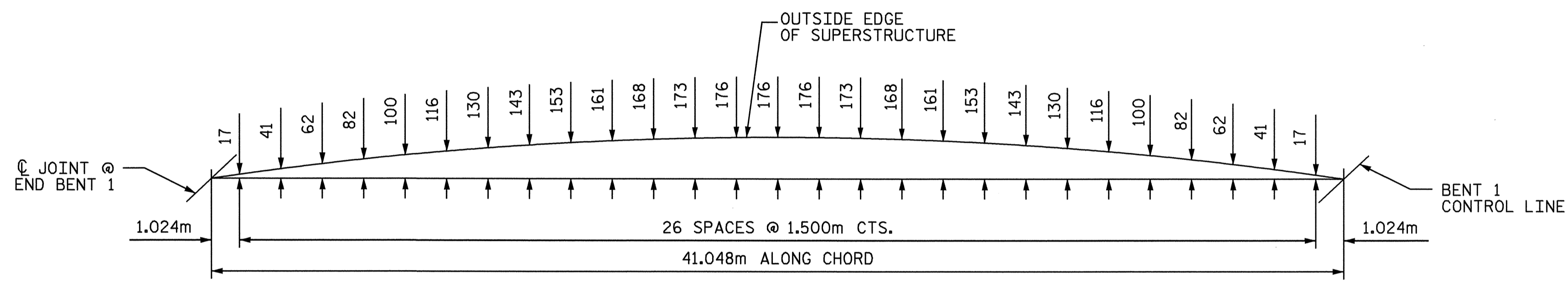


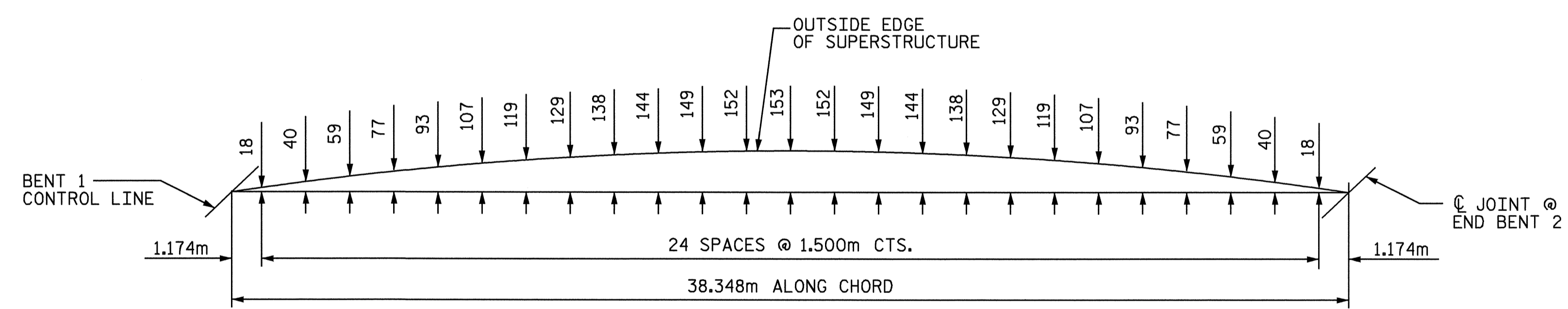
ARC OFFSETS LEFT SIDE-SPAN A

ARC OFFSETS TAKEN ALONG CHORD AT OUTSIDE
EDGE OF SUPERSTRUCTURE



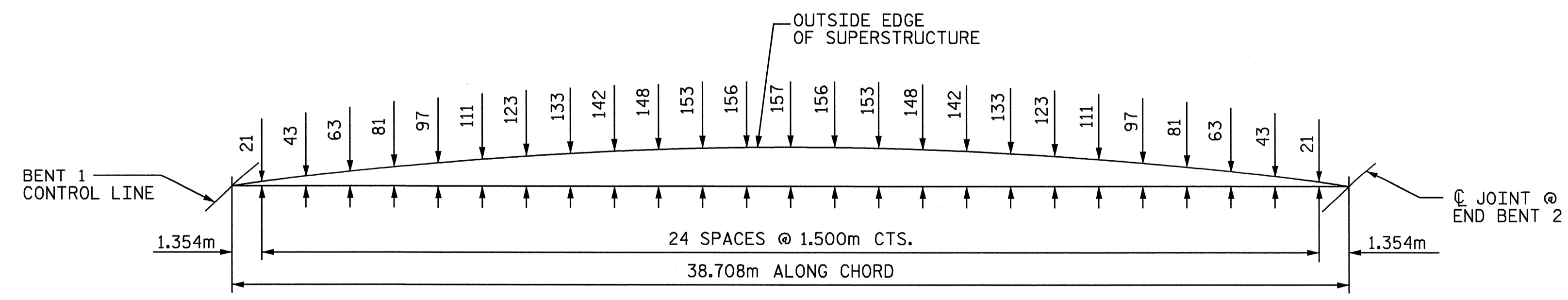
ARC OFFSETS RIGHT SIDE-SPAN A

ARC OFFSETS TAKEN ALONG CHORD AT OUTSIDE
EDGE OF SUPERSTRUCTURE



ARC OFFSETS LEFT SIDE-SPAN B

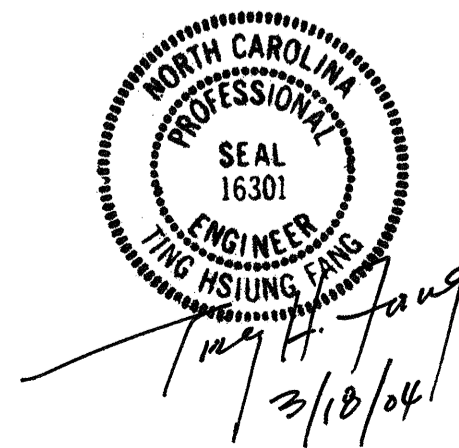
ARC OFFSETS TAKEN ALONG CHORD AT OUTSIDE
EDGE OF SUPERSTRUCTURE



ARC OFFSETS RIGHT SIDE-SPAN B

ARC OFFSETS TAKEN ALONG CHORD AT OUTSIDE
EDGE OF SUPERSTRUCTURE

PROJECT NO. R-513BB
ROBESON COUNTY
STATION: 209+17.263 -L-



STATE OF NORTH CAROLINA
DEPARTMENT OF TRANSPORTATION
RALEIGH
**SUPERSTRUCTURE
ARC OFFSETS**

DRAWN BY : N. Q. TRAN DATE : 1/27/03
CHECKED BY : M.A. ALLEN DATE : 2/04

REVISIONS						SHEET NO.
NO.	BY:	DATE:	NO.	BY:	DATE:	S-39
1			3			TOTAL SHEETS
2			4			312