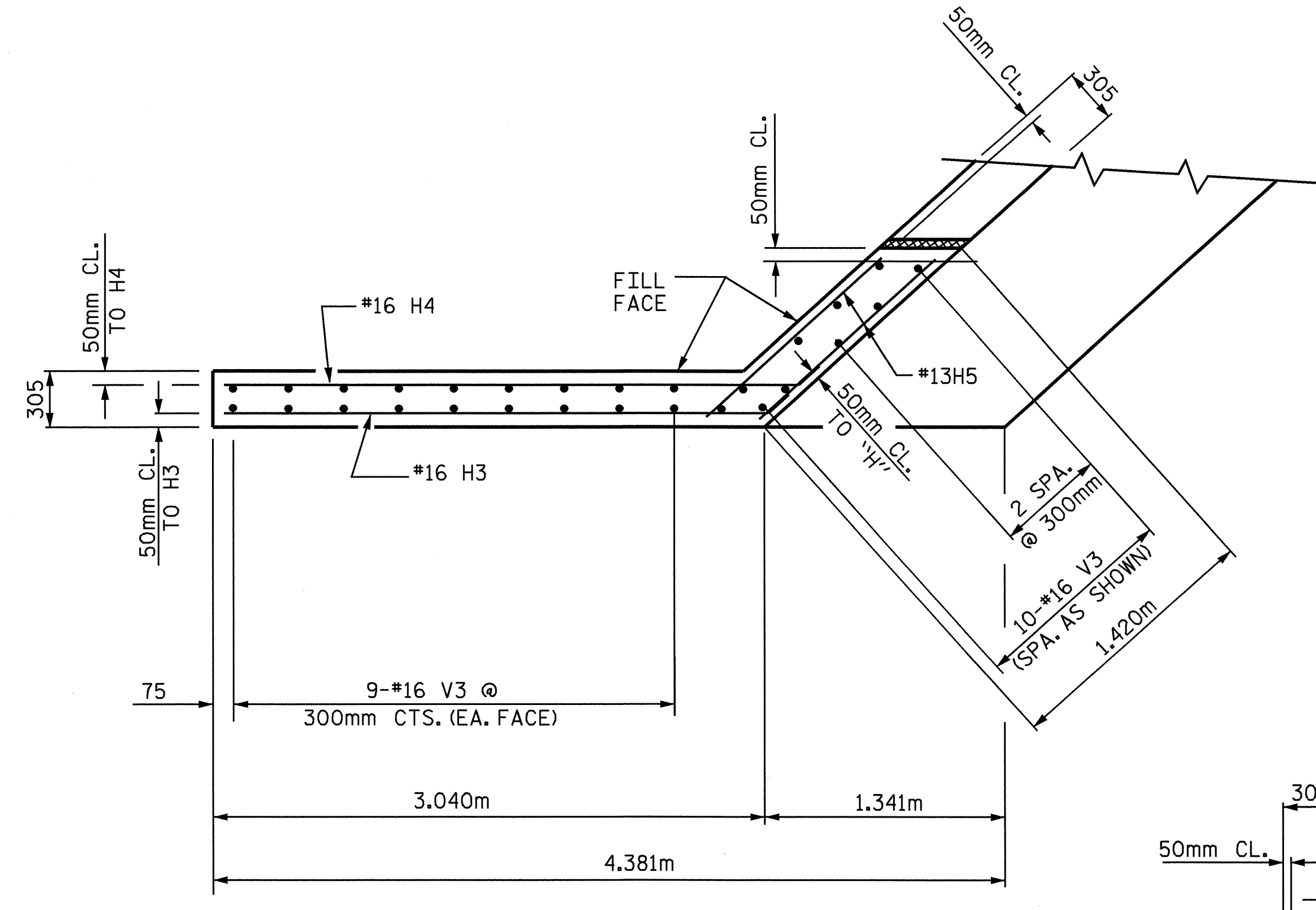
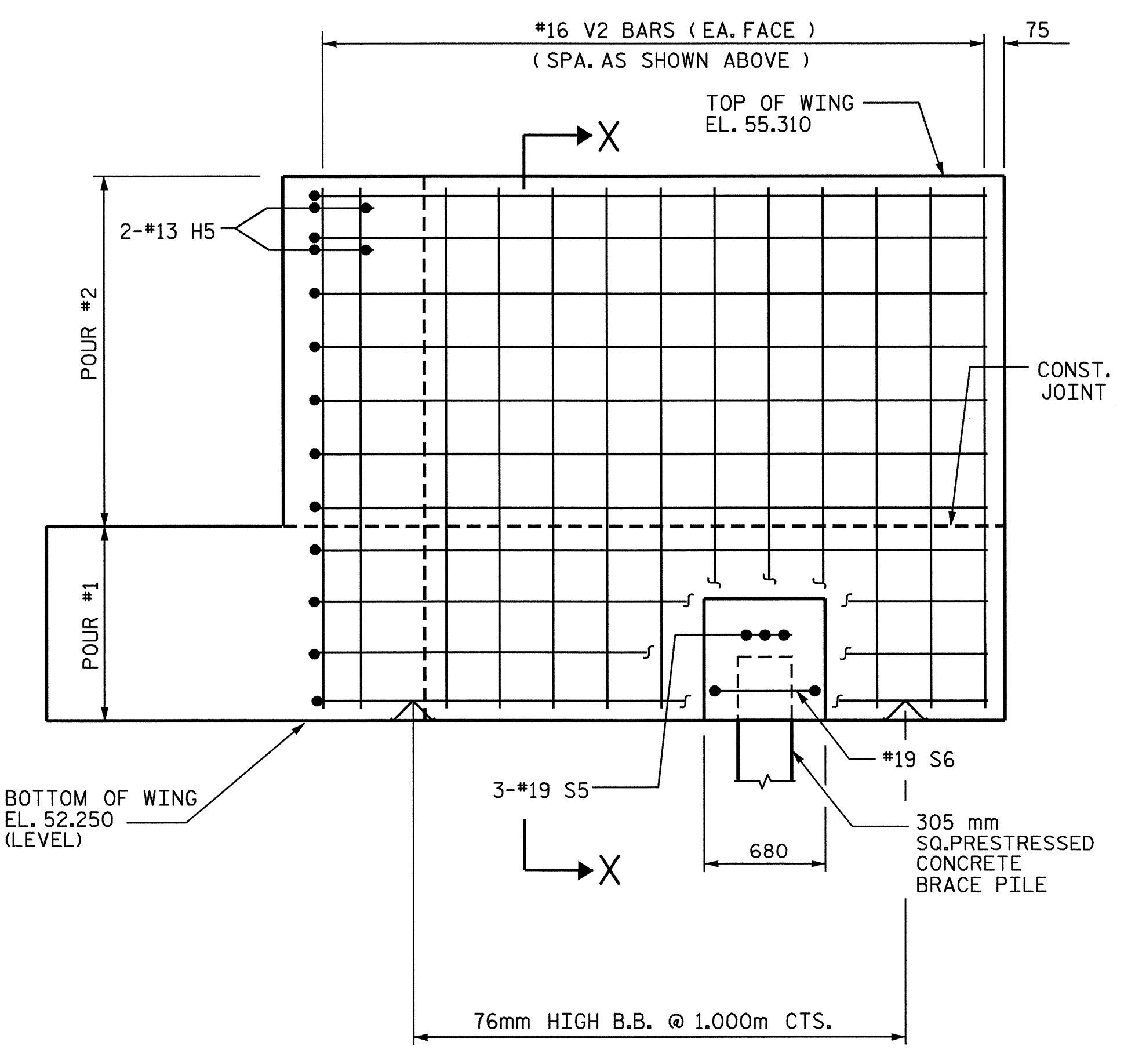


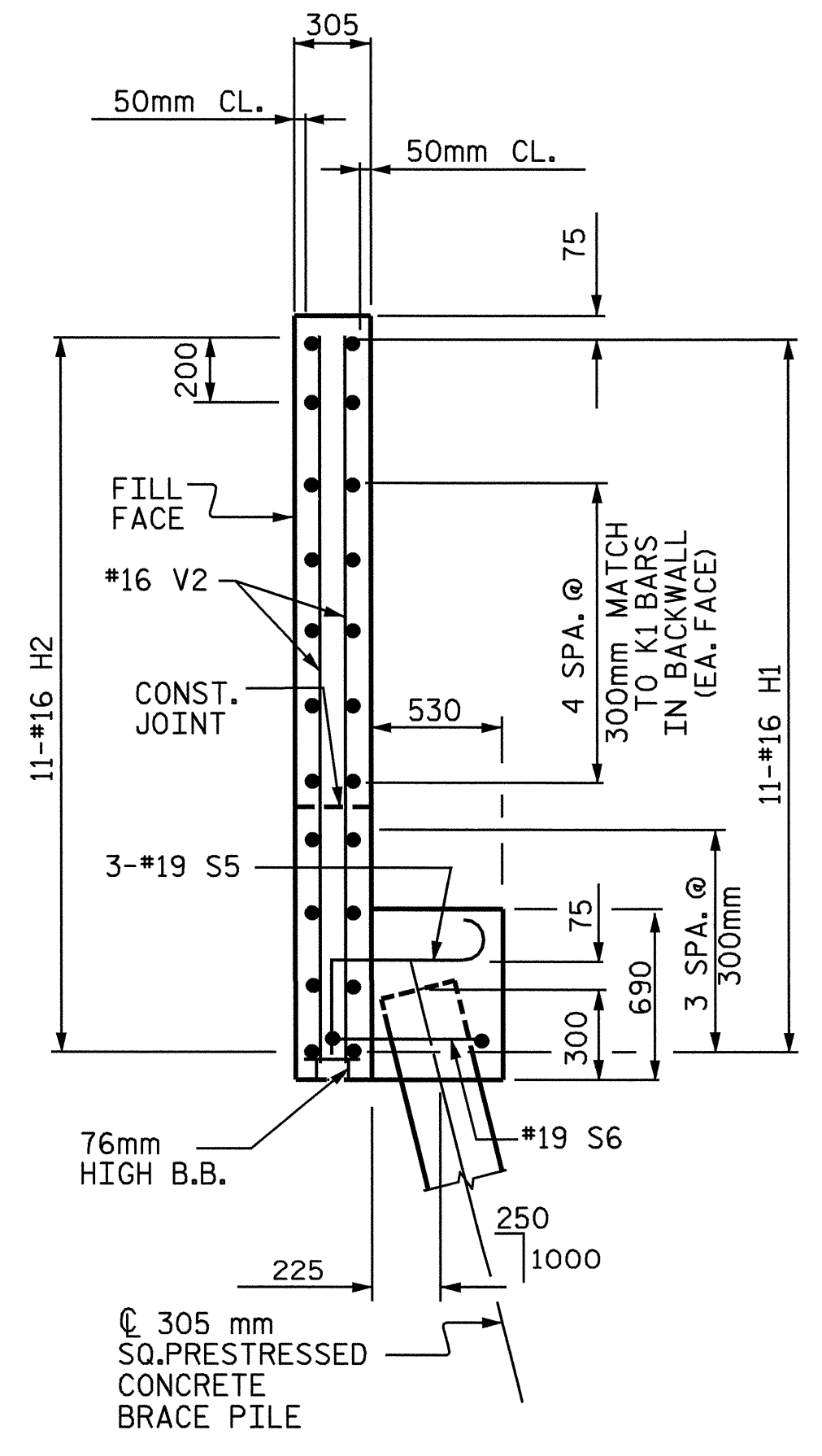
PLAN OF WING - W1



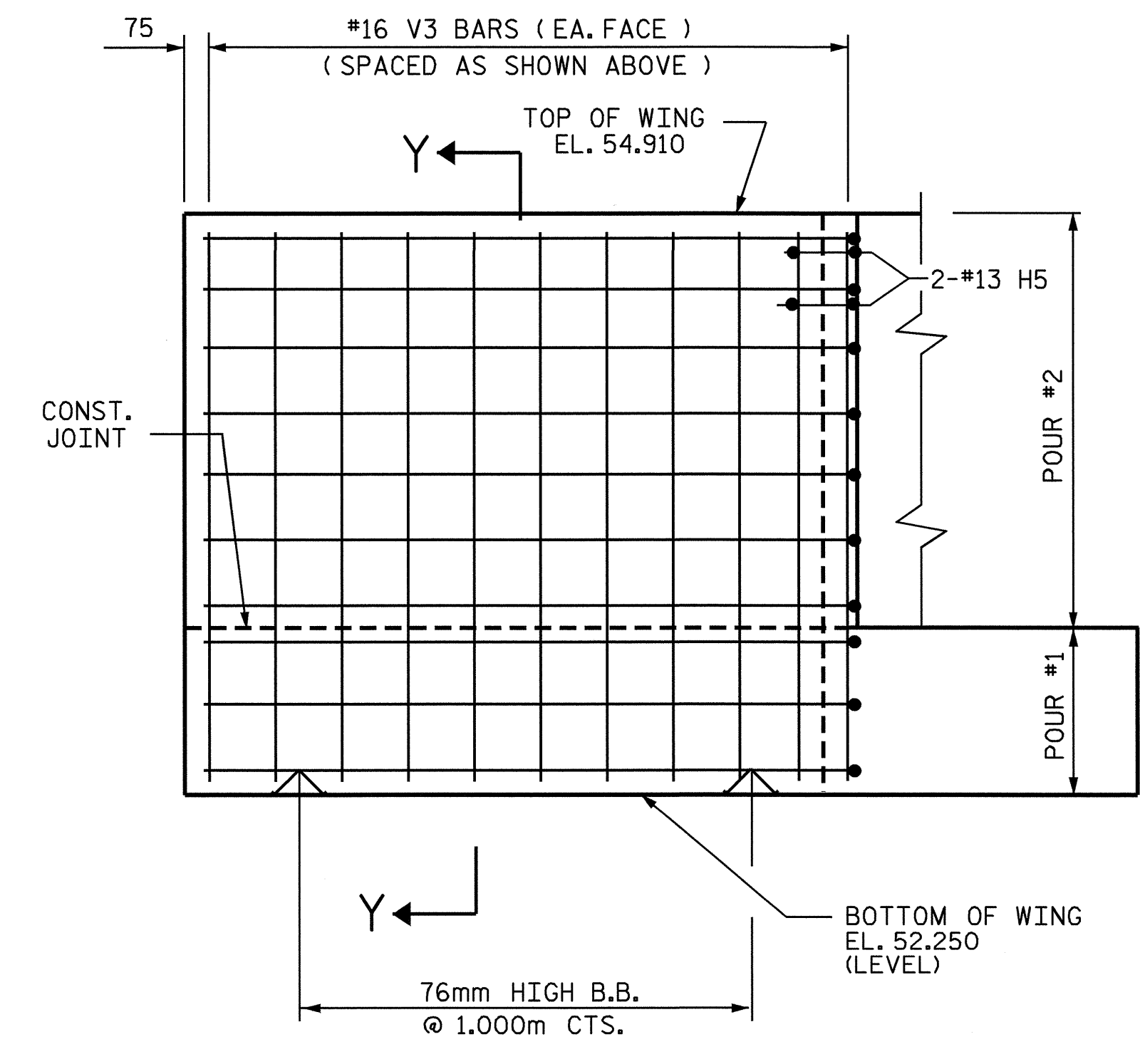
PLAN OF WING - W2



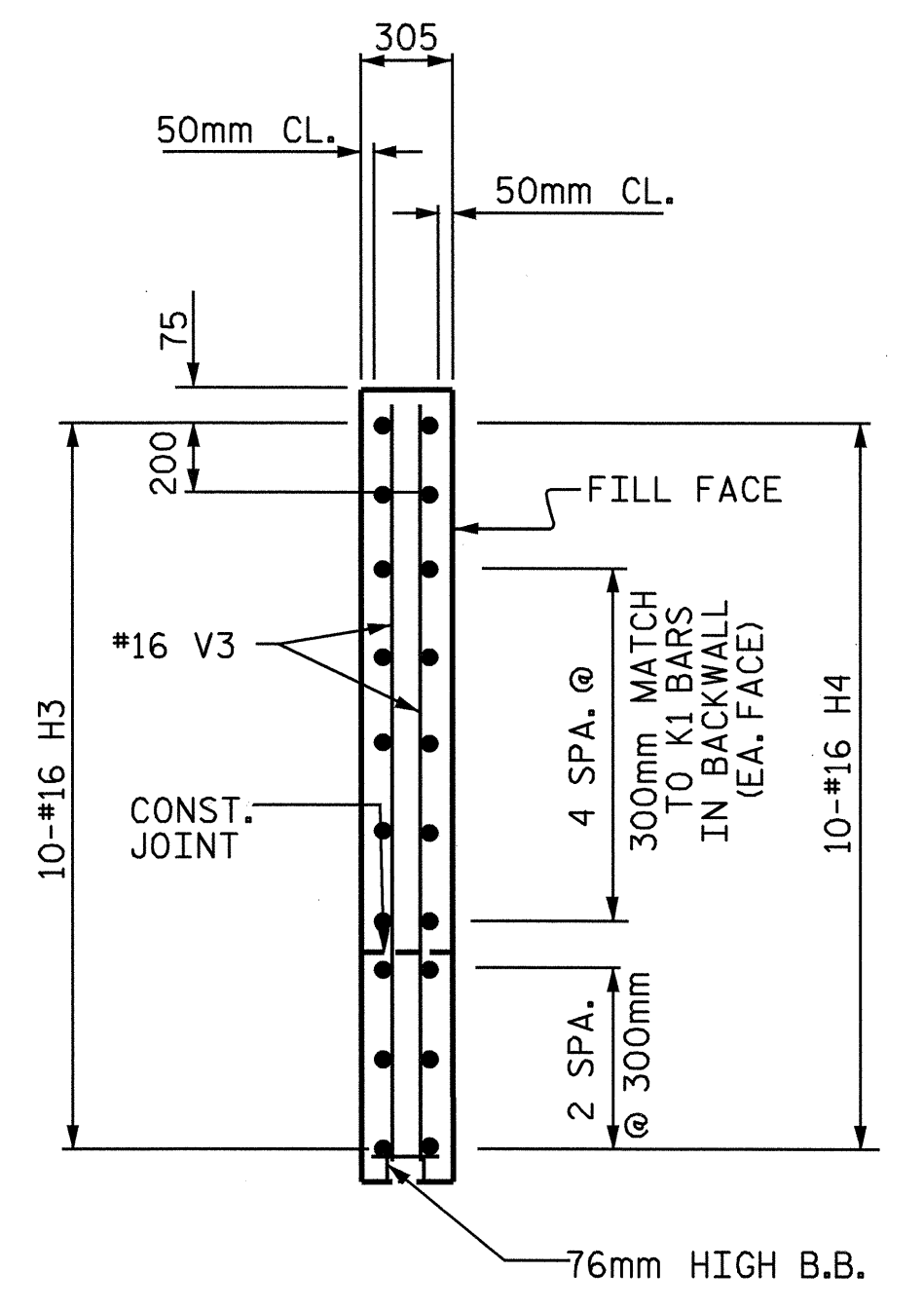
ELEVATION OF WING - W1



SECTION X-X



ELEVATION OF WING - W2



SECTION Y-Y

PROJECT NO. R-513BB
ROBESON COUNTY
STATION: 209+17.263 -L-
SHEET 2 OF 3

STATE OF NORTH CAROLINA
DEPARTMENT OF TRANSPORTATION
RALEIGH
SUBSTRUCTURE
END BENT 1



DRAWN BY : N. Q. TRAN DATE : JUNE-03
CHECKED BY : T. A. WALTER DATE : 2-4-04

REVISIONS					SHEET NO. S-51
NO.	BY:	DATE:	NO.	DATE:	
1			3		TOTAL SHEETS 312
2			4		