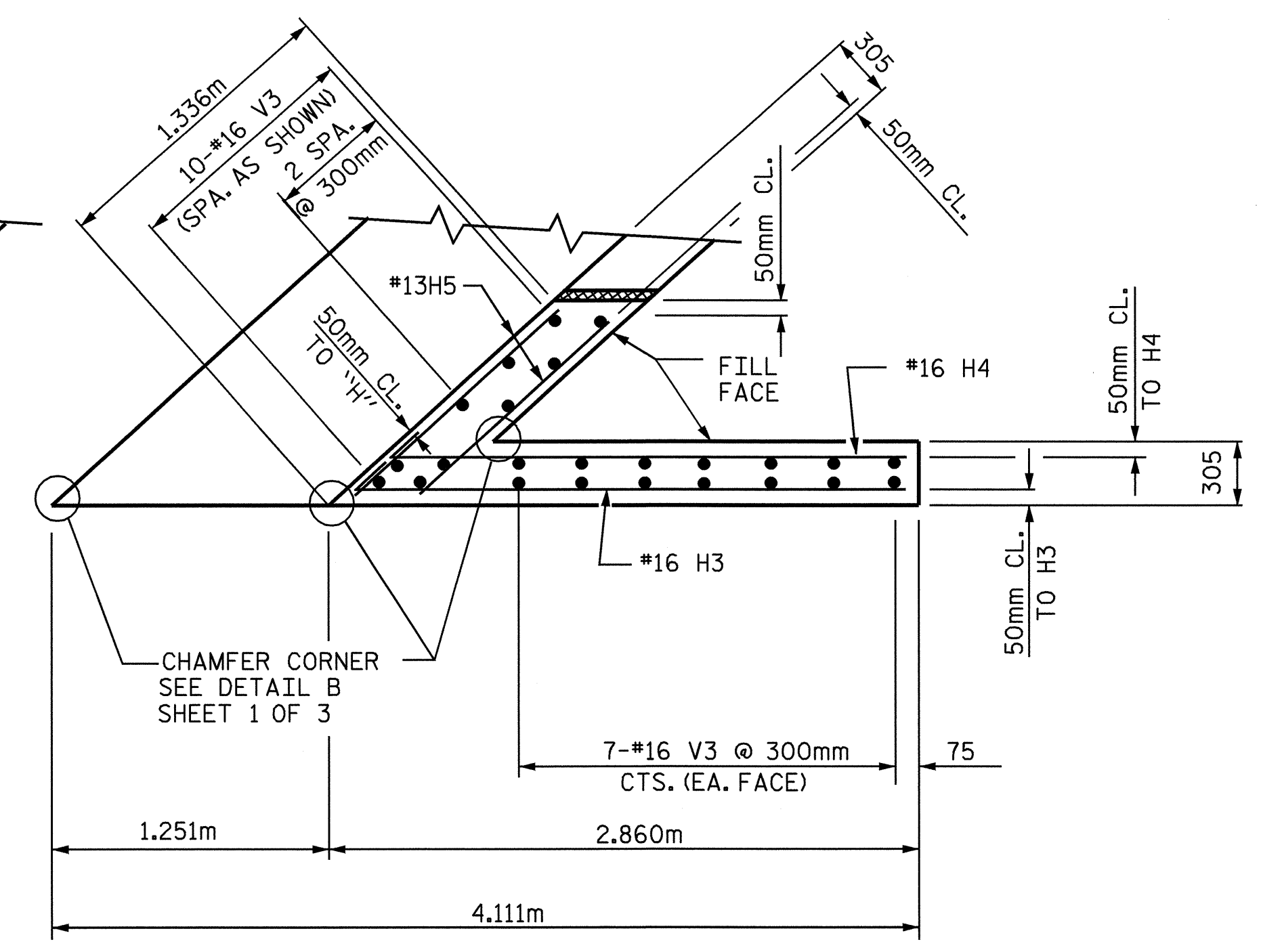
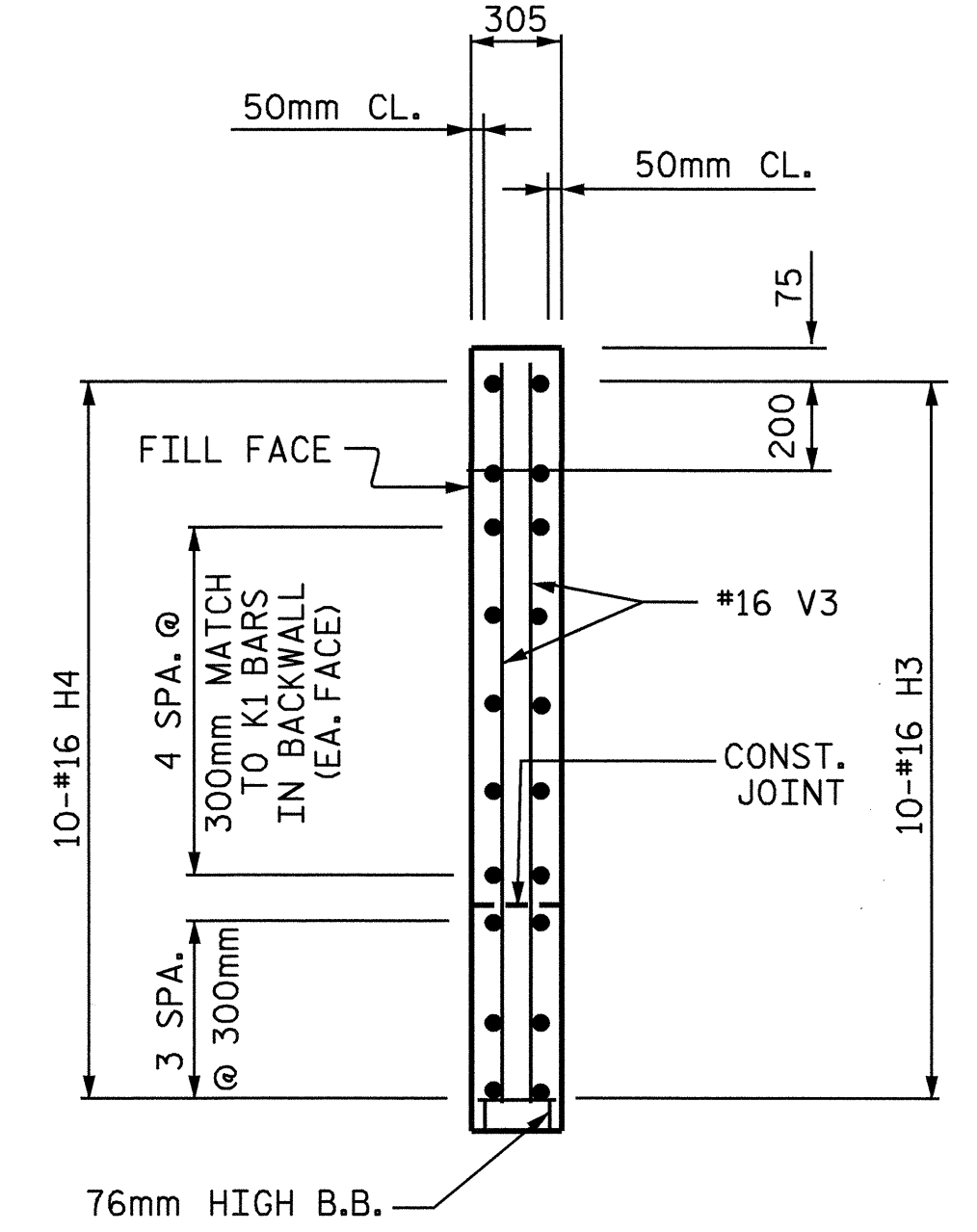


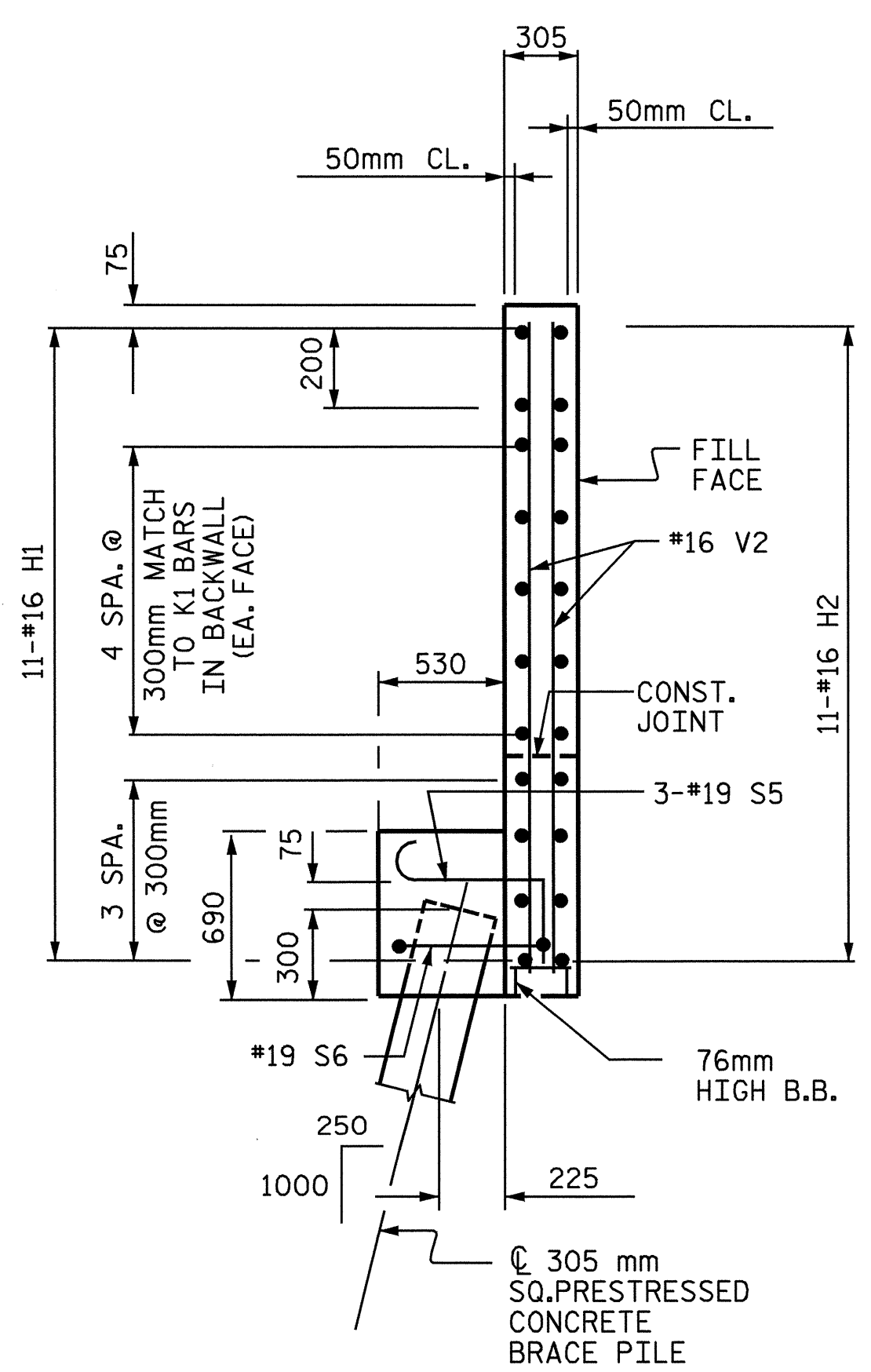
PLAN OF WING - W1



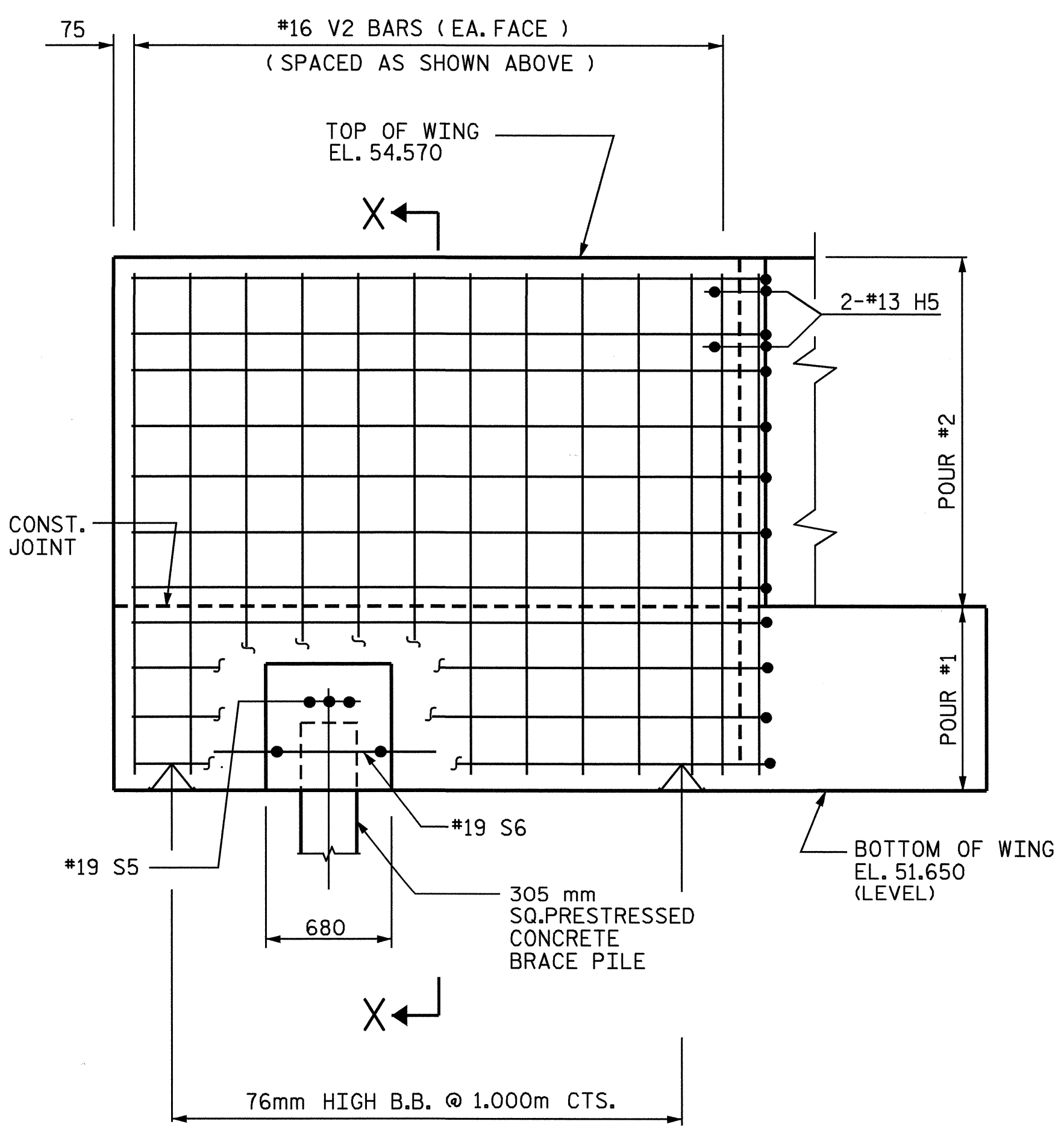
PLAN OF WING - W2



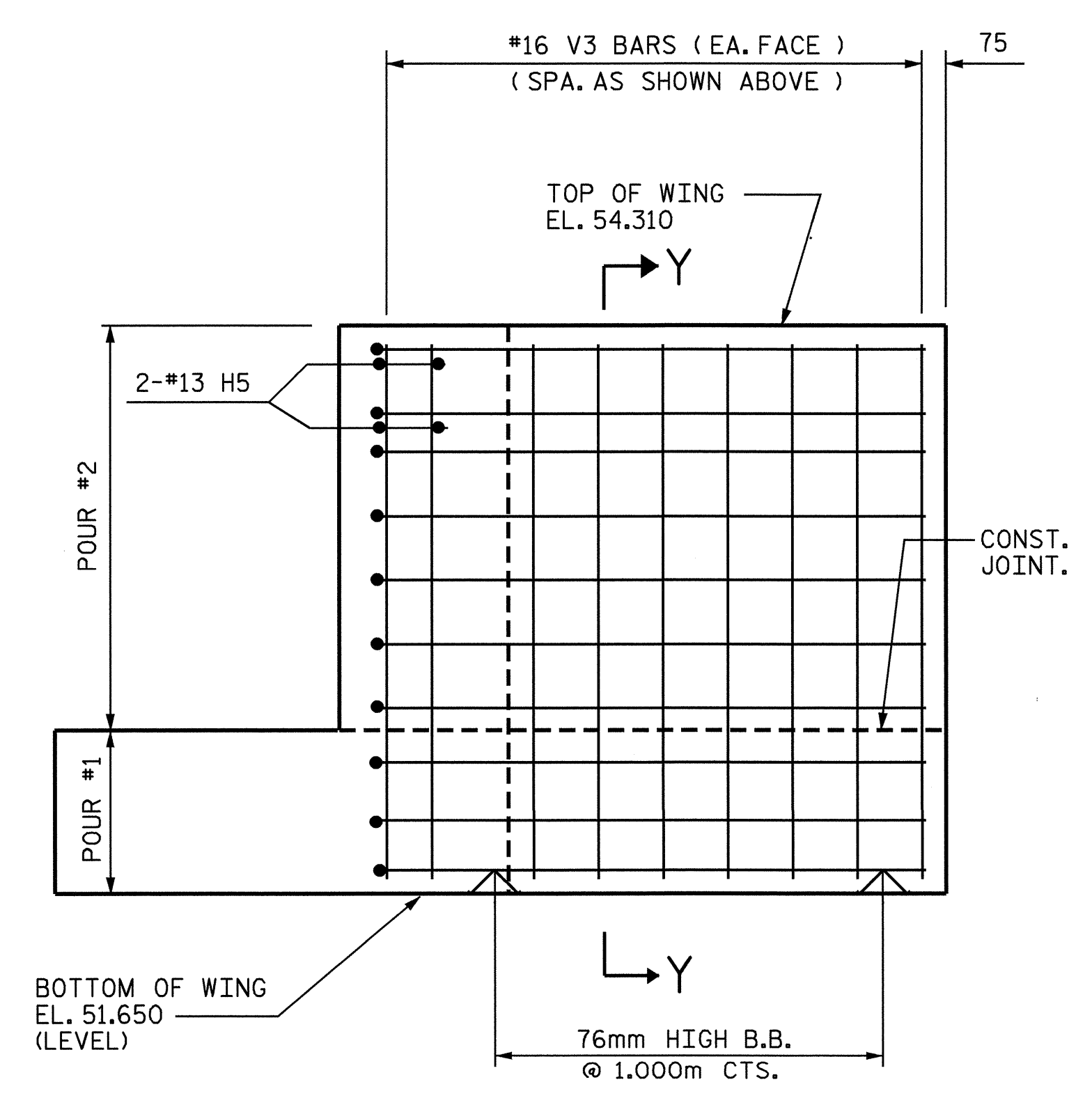
SECTION Y-Y



SECTION X-X



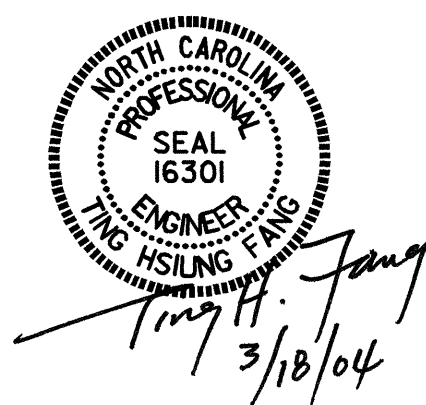
ELEVATION OF WING - W1



ELEVATION OF WING - W2

PROJECT NO. R-513BB  
ROBESON COUNTY  
STATION: 209+17.263 -L-  
SHEET 2 OF 3

STATE OF NORTH CAROLINA  
DEPARTMENT OF TRANSPORTATION  
RALEIGH  
SUBSTRUCTURE  
END BENT 2



DRAWN BY: N. Q. TRAN DATE: JUNE-03  
CHECKED BY: T. A. WALTER DATE: 2-4-04

REVISIONS					SHEET NO.
NO.	BY:	DATE:	NO.	DATE:	S-56
1			3		TOTAL SHEETS
2			4		312