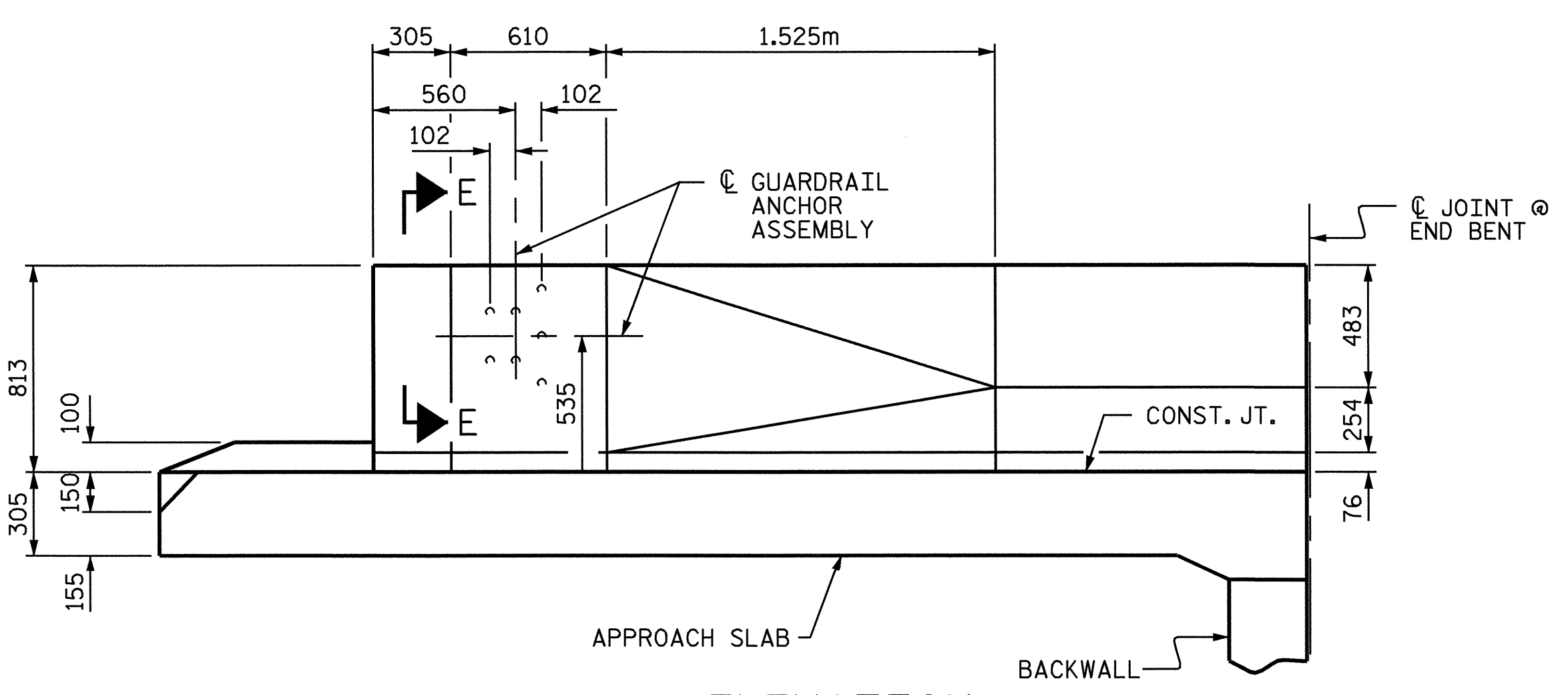


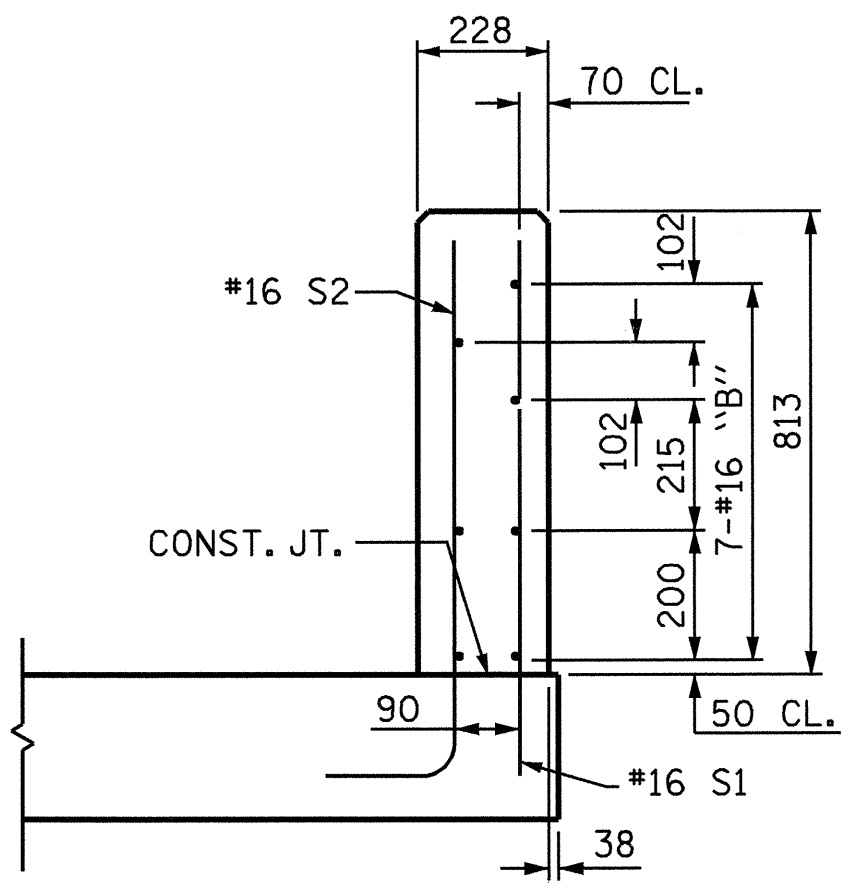
**PLAN**

BEGIN APPROACH SLAB SHOWN  
END APPROACH SLAB SIMILAR  
\*\* RADIAL DIMENSIONS

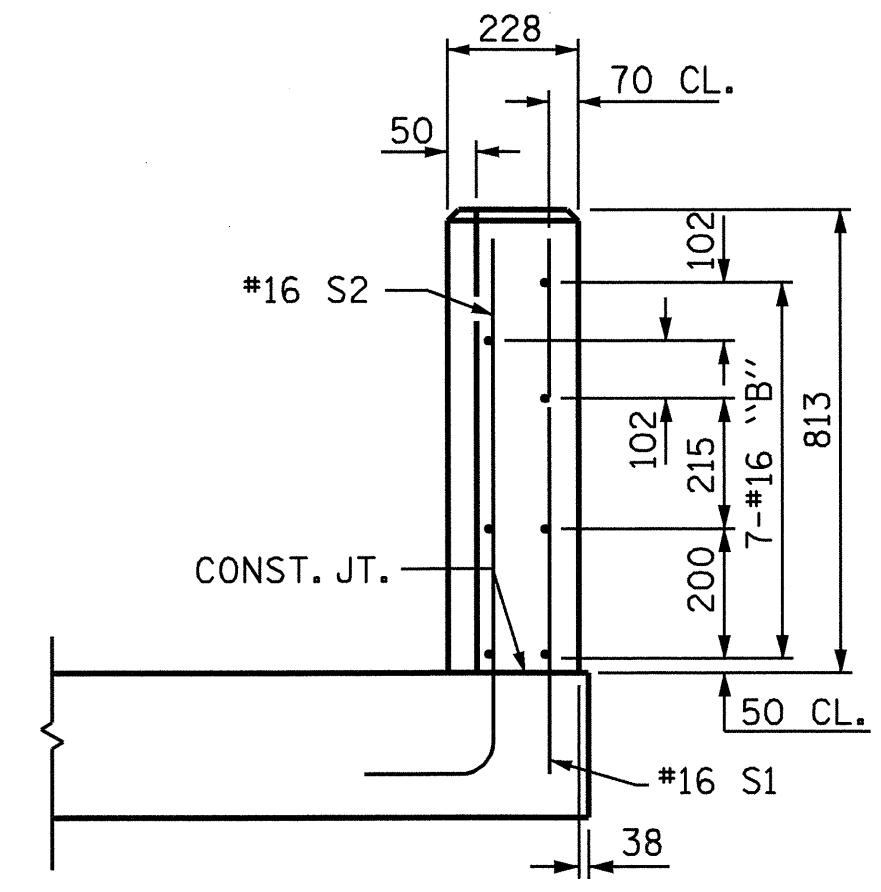


**ELEVATION**

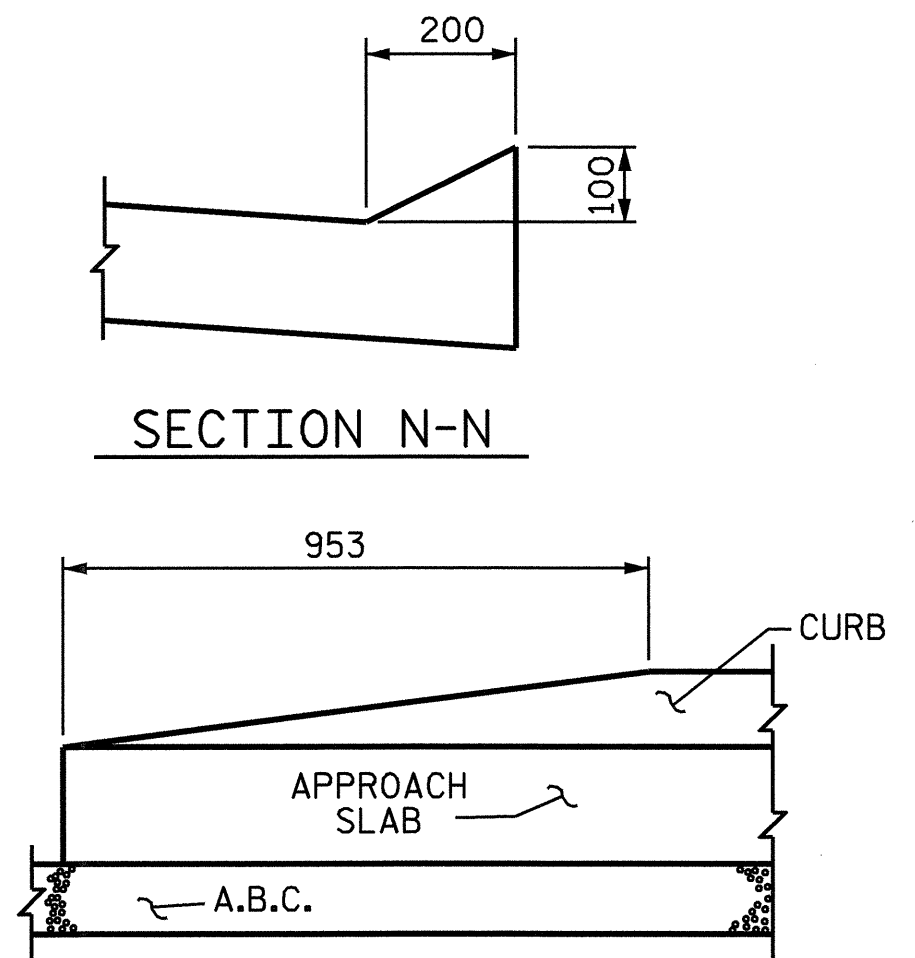
SEE SHEET 2 OF 5 FOR "GUARDRAIL ANCHOR ASSEMBLY DETAILS"



**SECTION M-M**



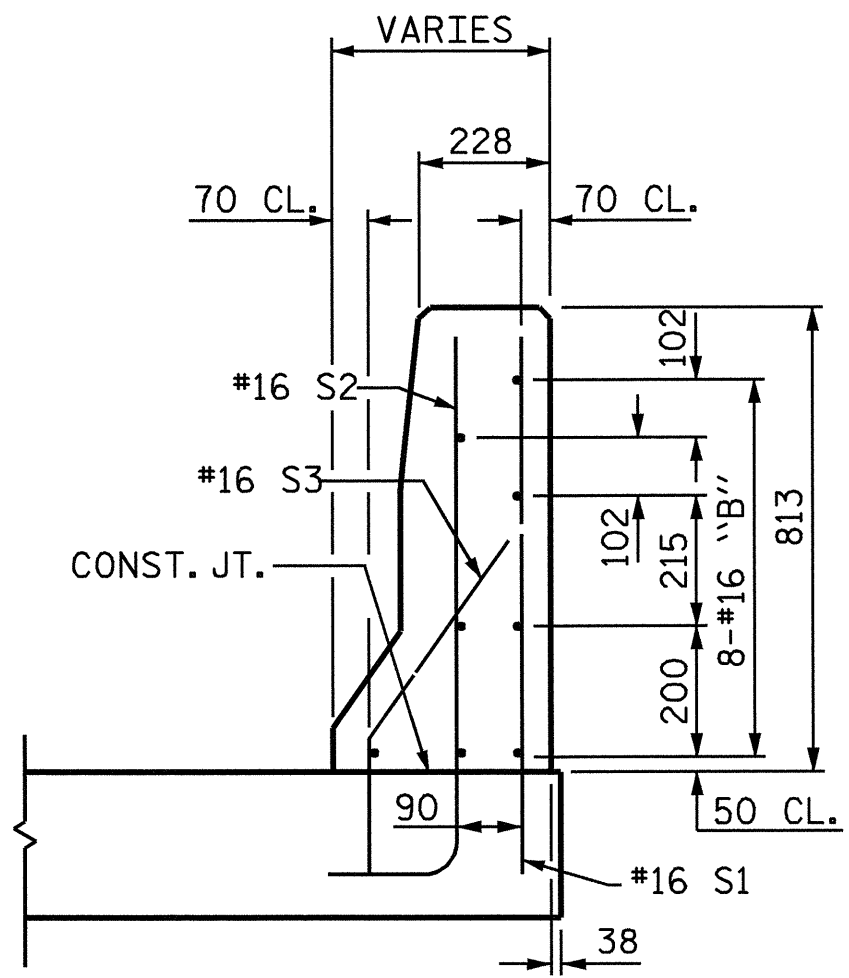
**END VIEW**



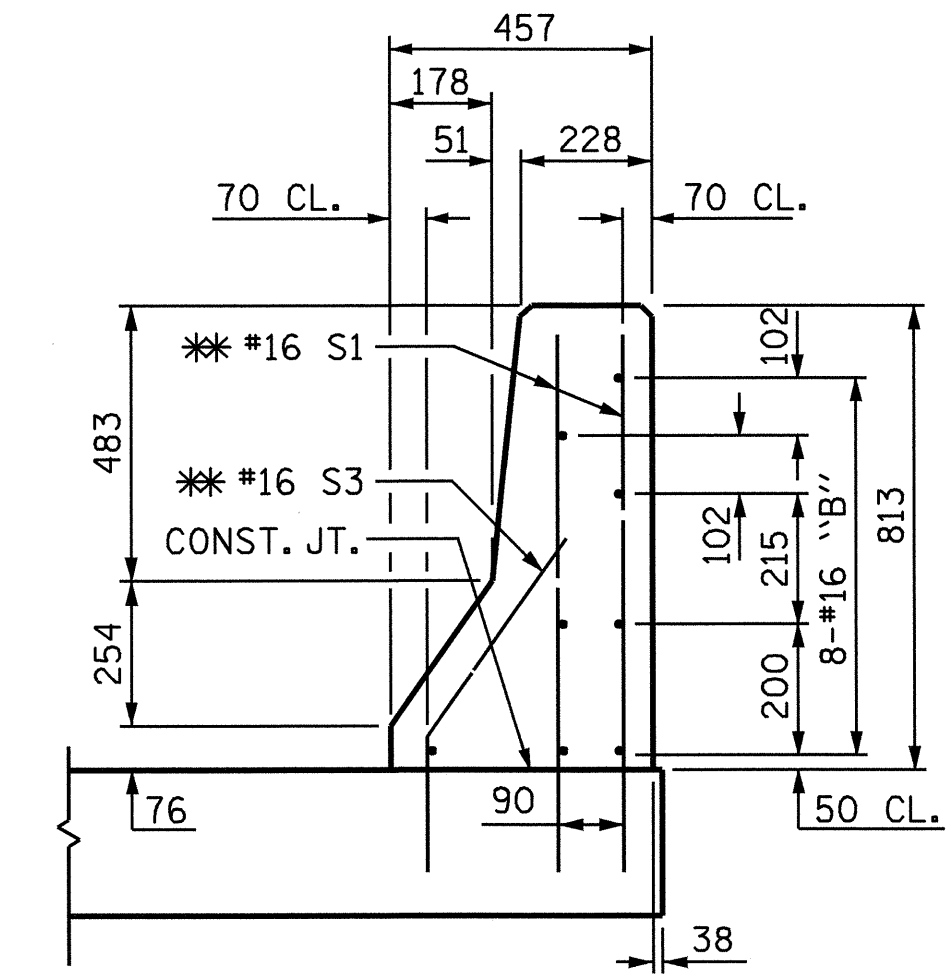
**SECTION N-N**

END OF CURB WITHOUT SHOULDER BERM GUTTER

**CURB DETAILS**



**SECTION L-L**



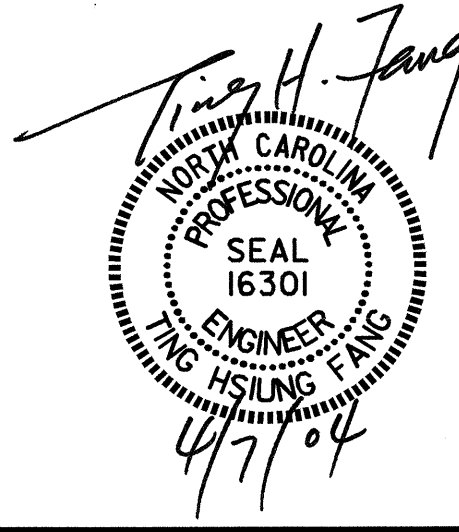
**SECTION K-K**

PROJECT NO. R-513BB  
ROBESON COUNTY  
STATION: 209+17.263 -L-

SHEET 3 OF 5

STATE OF NORTH CAROLINA  
DEPARTMENT OF TRANSPORTATION  
RALEIGH

BRIDGE APPROACH SLAB WITH BARRIER RAIL DETAILS



ASSEMBLED BY : W.K. FISCHER	DATE : 2/23/04
CHECKED BY : M.A. ALLEN	DATE : 3/3/04
DRAWN BY : RWW 8/01	REV. 5/7/03 RWW/JTE
CHECKED BY : LES 8/01	

REVISIONS						SHEET NO. S-63
NO.	BY:	DATE:	NO.	BY:	DATE:	
1			3			TOTAL SHEETS 3/2
2			4			