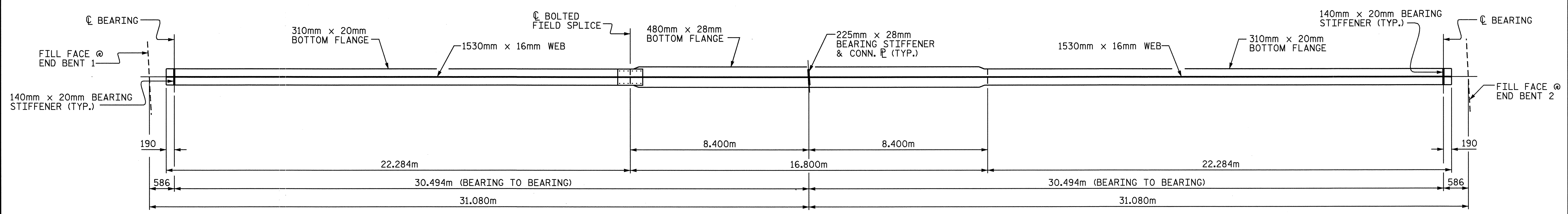
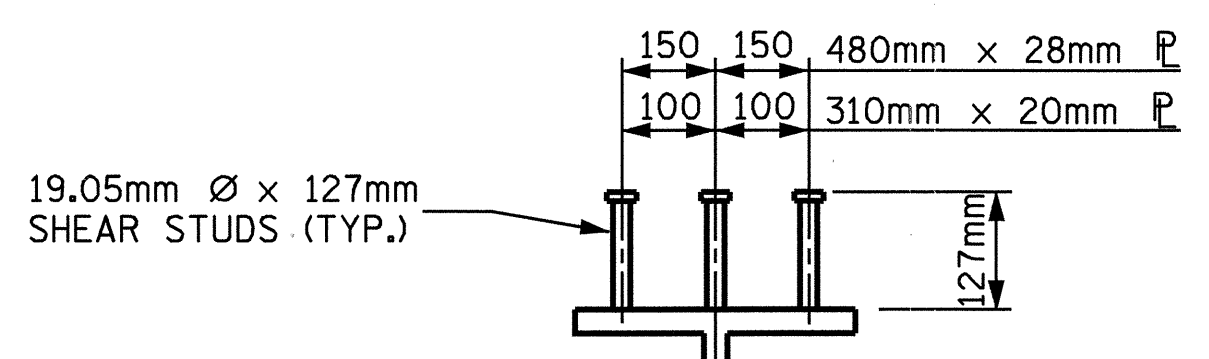


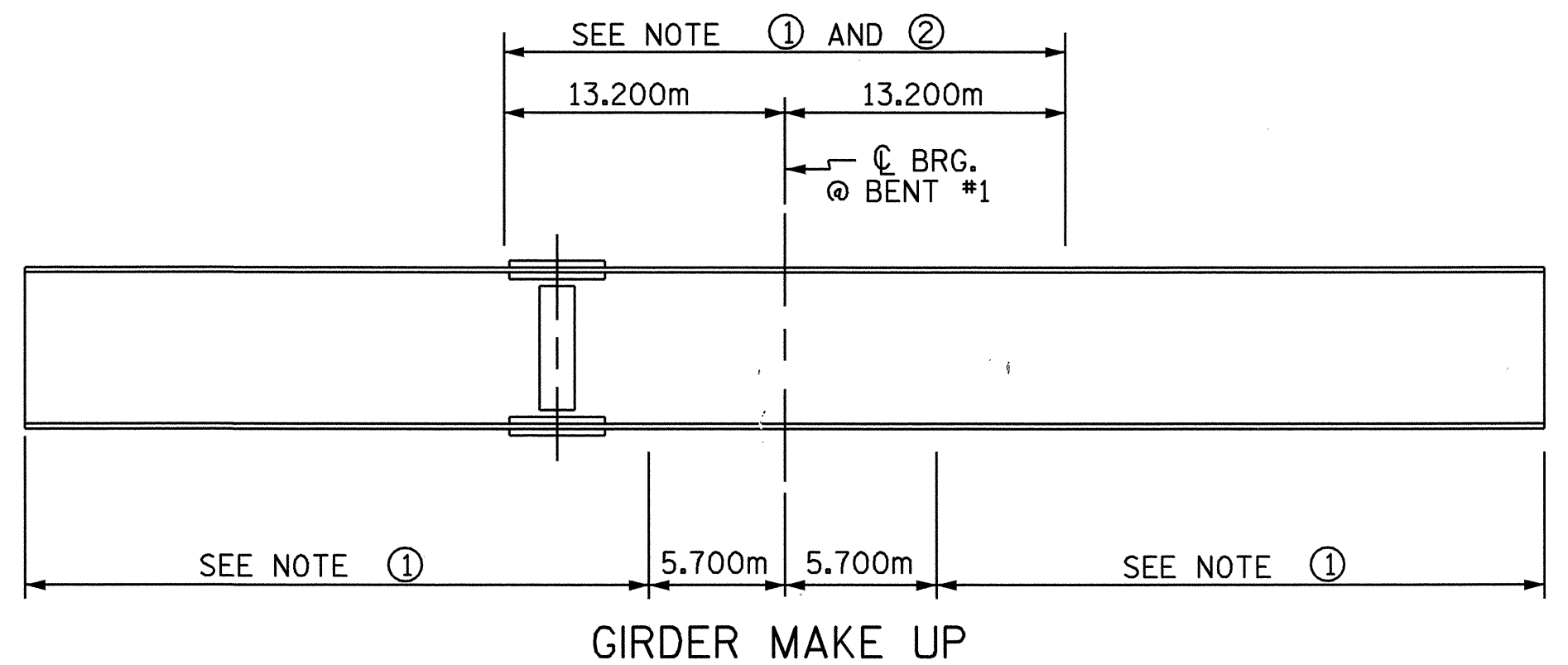
PLATE GIRDER ELEVATION
STUDS ON BOLTED FIELD SPLICE TOP PLATE NOT SHOWN



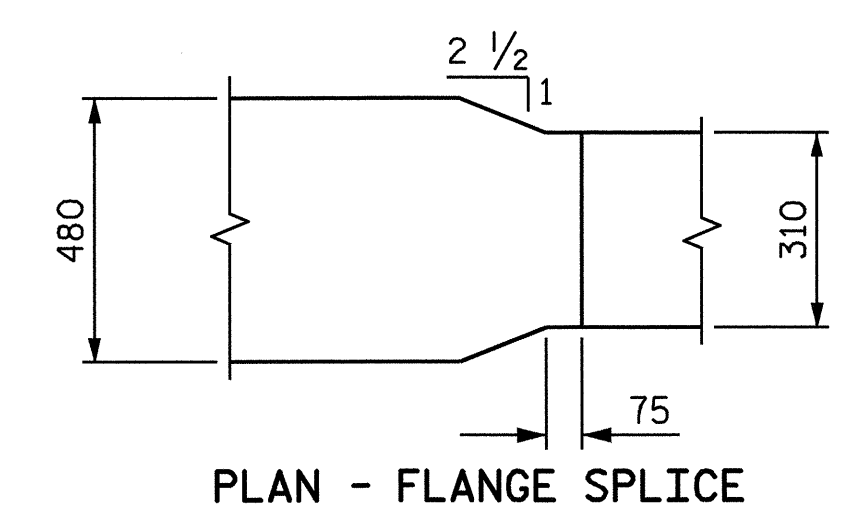
BOTTOM FLANGE DETAIL



SHEAR STUD DETAILS



GIRDER MAKE UP



PLAN - FLANGE SPLICE

NOTE ① : CHARPY V-NOTCH TESTS ARE REQUIRED FOR ALL TOP OR BOTTOM FLANGE PLATES WHICH FALL WITHIN THESE LIMITS, ALL WEB PLATES, AND ALL SPLICE PLATES. IF A PERMITTED SHOP FLANGE SPLICE IS NOT USED, CHARPY V-NOTCH TESTS WILL BE REQUIRED FOR THE ENTIRE FLANGE PLATE. FOR CHARPY V-NOTCH TESTS, SEE ARTICLE 1072-9 OF THE STANDARD SPECIFICATIONS.

NOTE ② : NO WELDING OF FORMS OR FALSEWORK TO THE TOP FLANGE WILL BE PERMITTED IN THIS REGION.

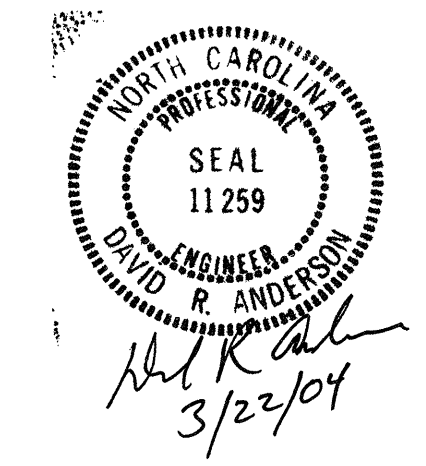
CHARPY V-NOTCH TESTS FOR CONTINUOUS PLATE GIRDERS

PROJECT NO. R-513C
ROBESON COUNTY
STATION: 256+58.326 -L-

SHEET 1 OF 3

STATE OF NORTH CAROLINA
DEPARTMENT OF TRANSPORTATION
RALEIGH

**SUPERSTRUCTURE
STRUCTURAL STEEL**



REVISIONS						SHEET NO.	
NO.	BY:	DATE:	NO.	BY:	DATE:	5-73	
1			3			TOTAL SHEETS	312
2			4				

DRAWN BY : T.A. WALTER DATE : 7/17/00
CHECKED BY : N.Q. TRAN DATE : 10/11/02