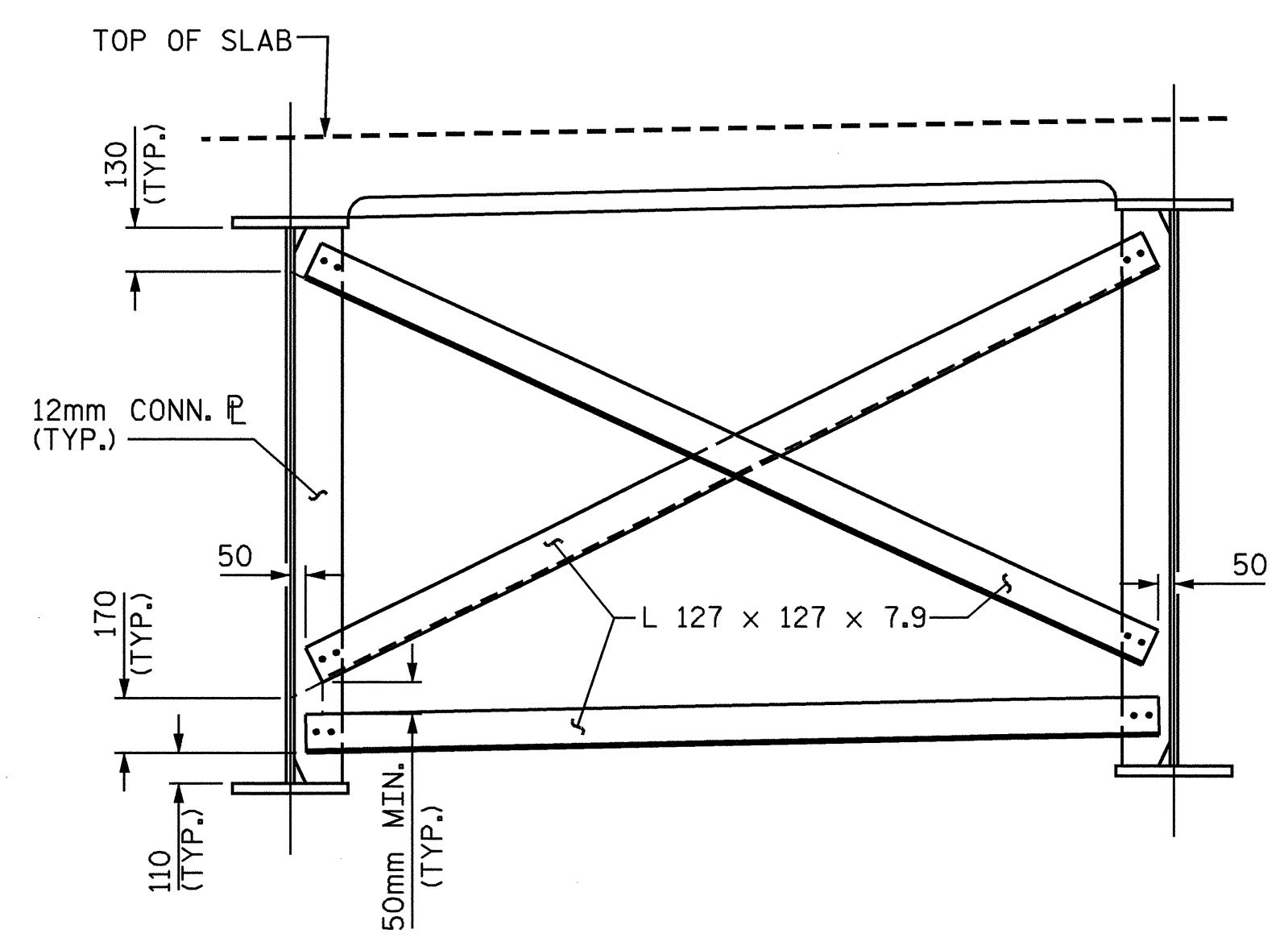
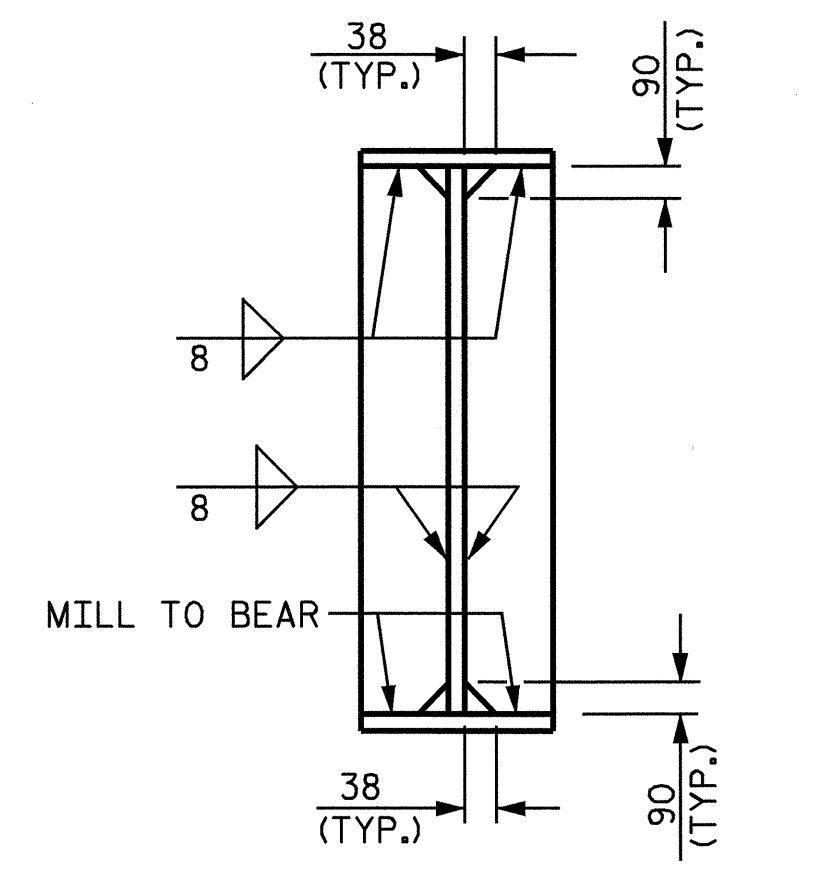


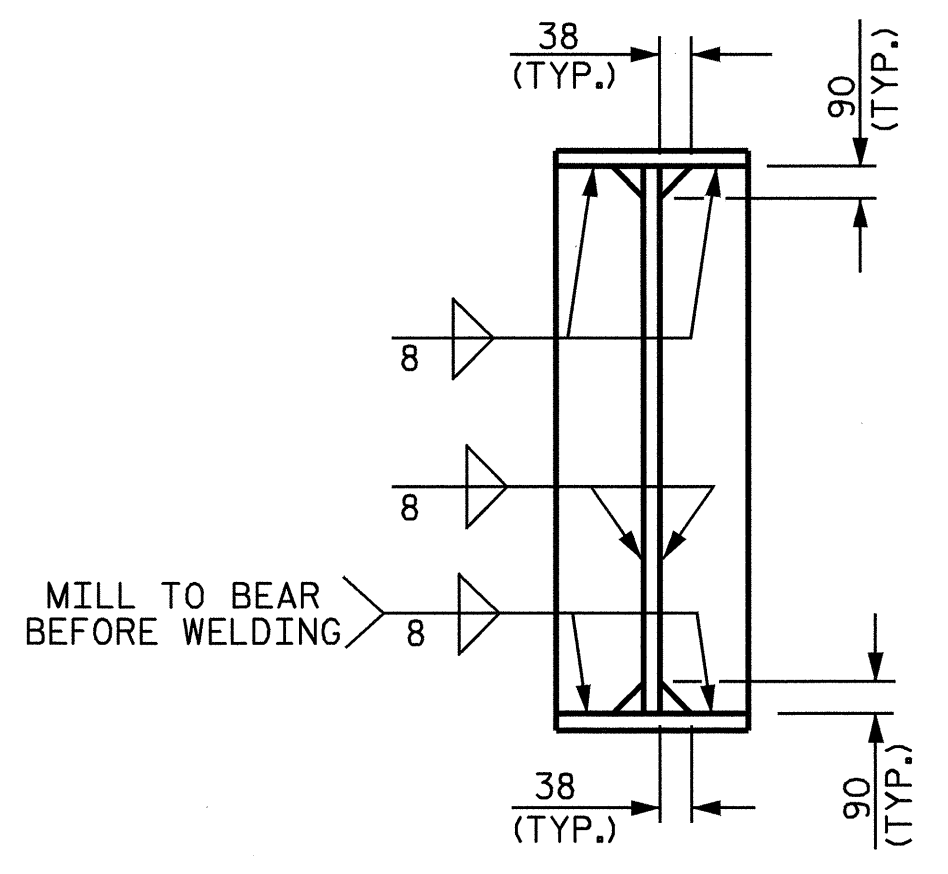
END BENTS 1 & 2 DIAPHRAGM (D1)



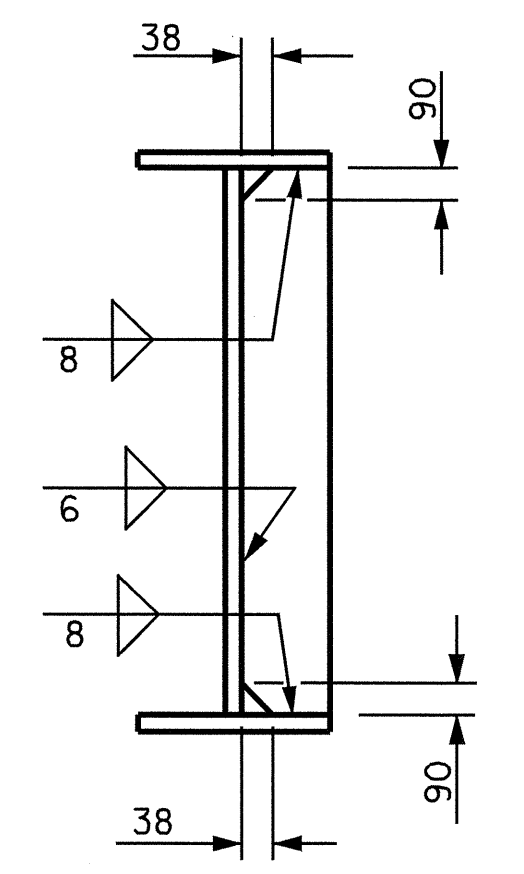
INTERIOR BENT AND INTERMEDIATE DIAPHRAGM (D2)



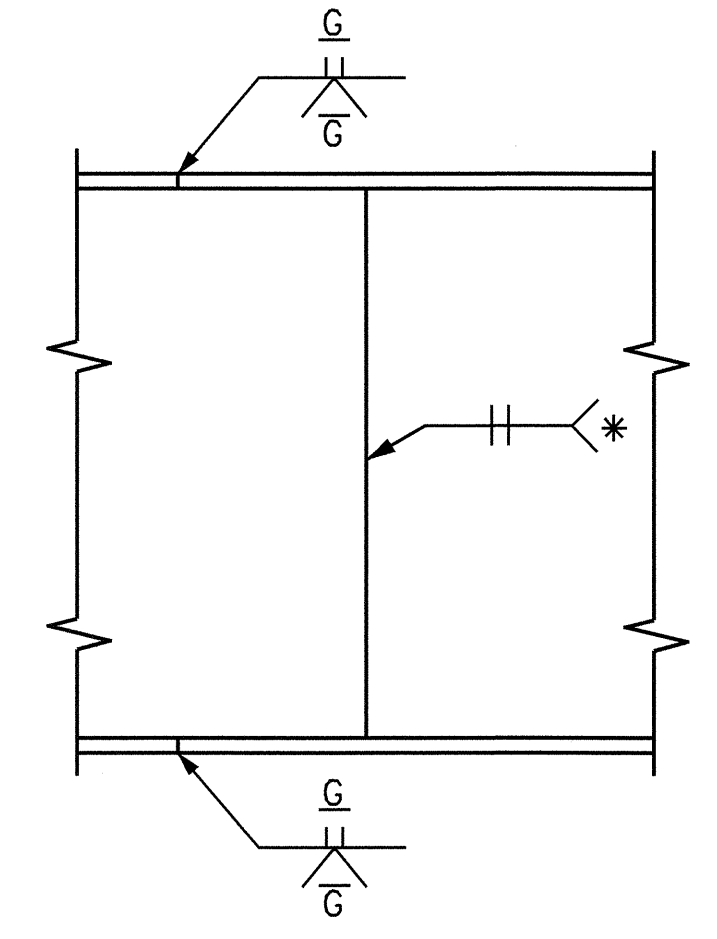
BEARING STIFFENER
@ END BENTS 1 & 2



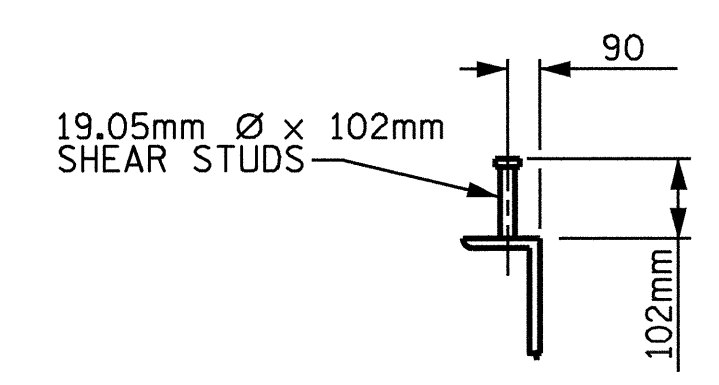
BEARING STIFFENER
@ BENT 1



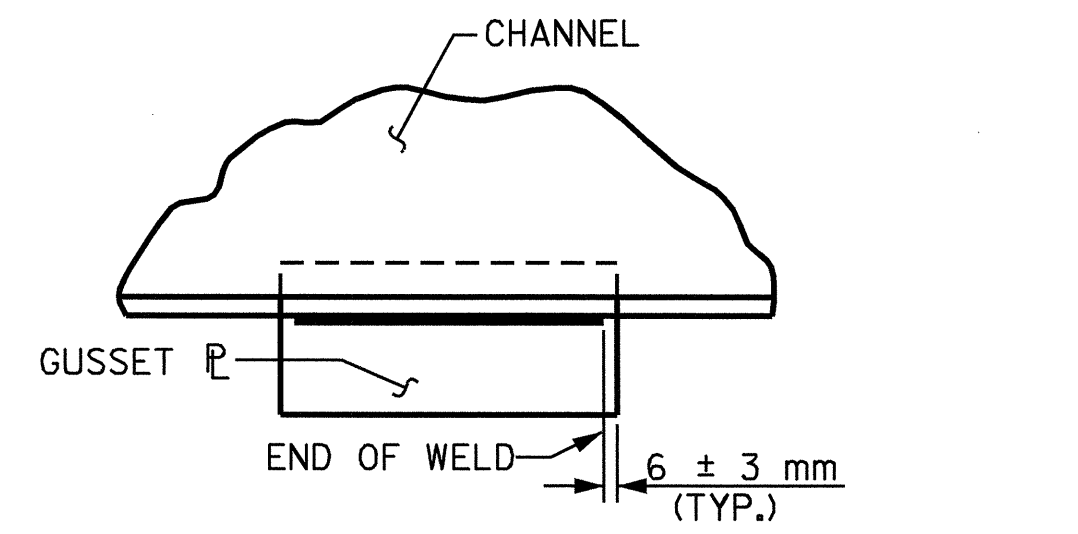
CONNECTOR PLATE



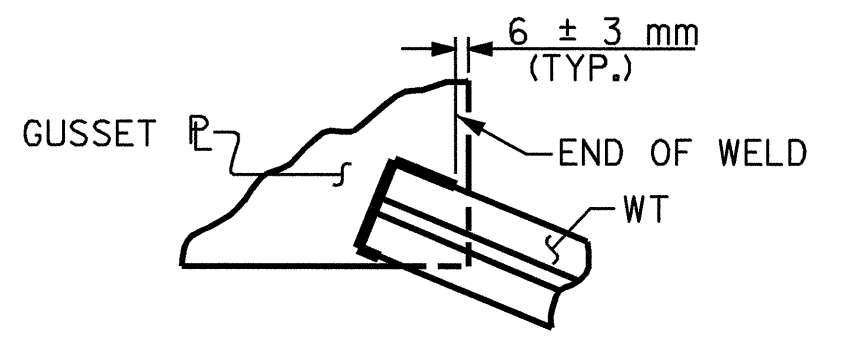
PERMISSIBLE SHOP WEB SPLICE
* GRIND SMOOTH AND FLUSH ON OUTSIDE OF EXTERIOR GIRDERS



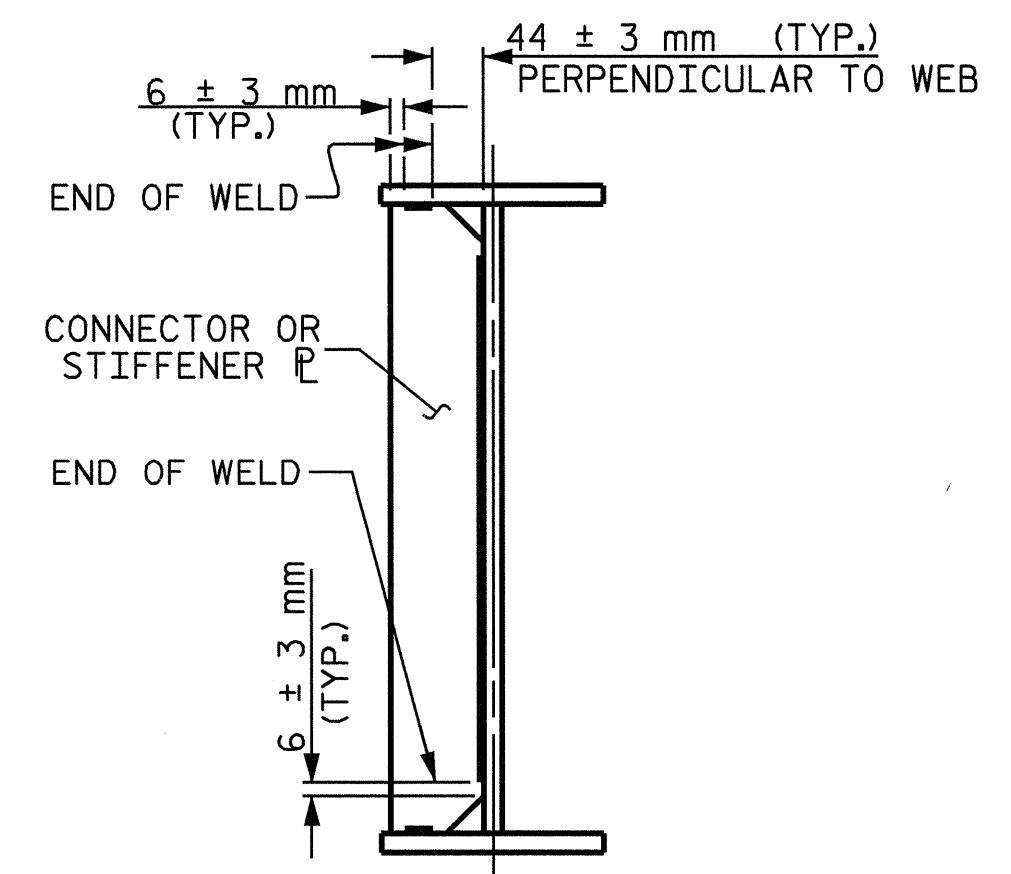
SHEAR STUD DETAIL
FOR C380x50



TYPICAL GUSSET PLATE CONNECTION



TYPICAL "TEE" TO GUSSET PLATE CONNECTION



TYPICAL STIFFENER OR CONNECTOR PLATE CONNECTIONS

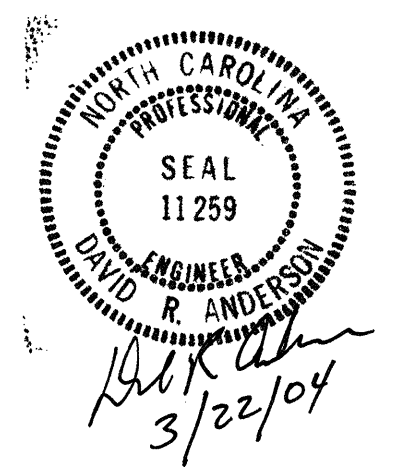
WELD TERMINATION DETAILS

PROJECT NO. R-513C
ROBESON COUNTY
STATION: 256+58.326 -L-

SHEET 2 OF 3

STATE OF NORTH CAROLINA
DEPARTMENT OF TRANSPORTATION
RALEIGH

**SUPERSTRUCTURE
STRUCTURAL STEEL**



| REVISIONS | | | | SHEET NO. |
|-----------|-----|-------|-----|-----------|
| NO. | BY: | DATE: | NO. | DATE: |
| 1 | | | 3 | |
| 2 | | | 4 | |

TOTAL SHEETS: 312

DRAWN BY : T.A. WALTER DATE : 7/17/00
CHECKED BY : N.Q. TRAN DATE : 10/11/02