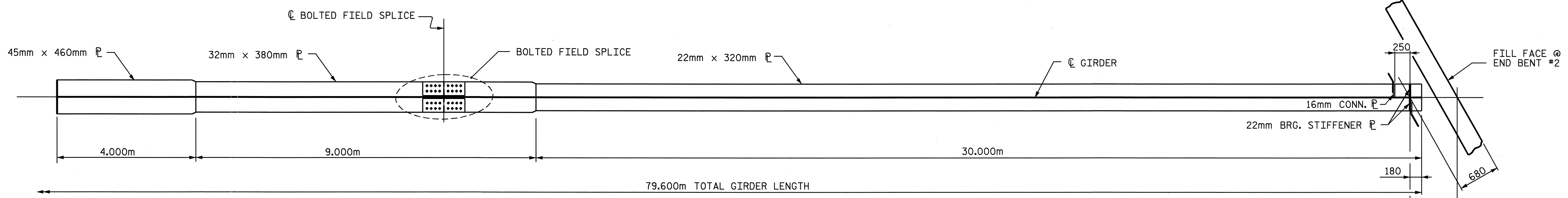
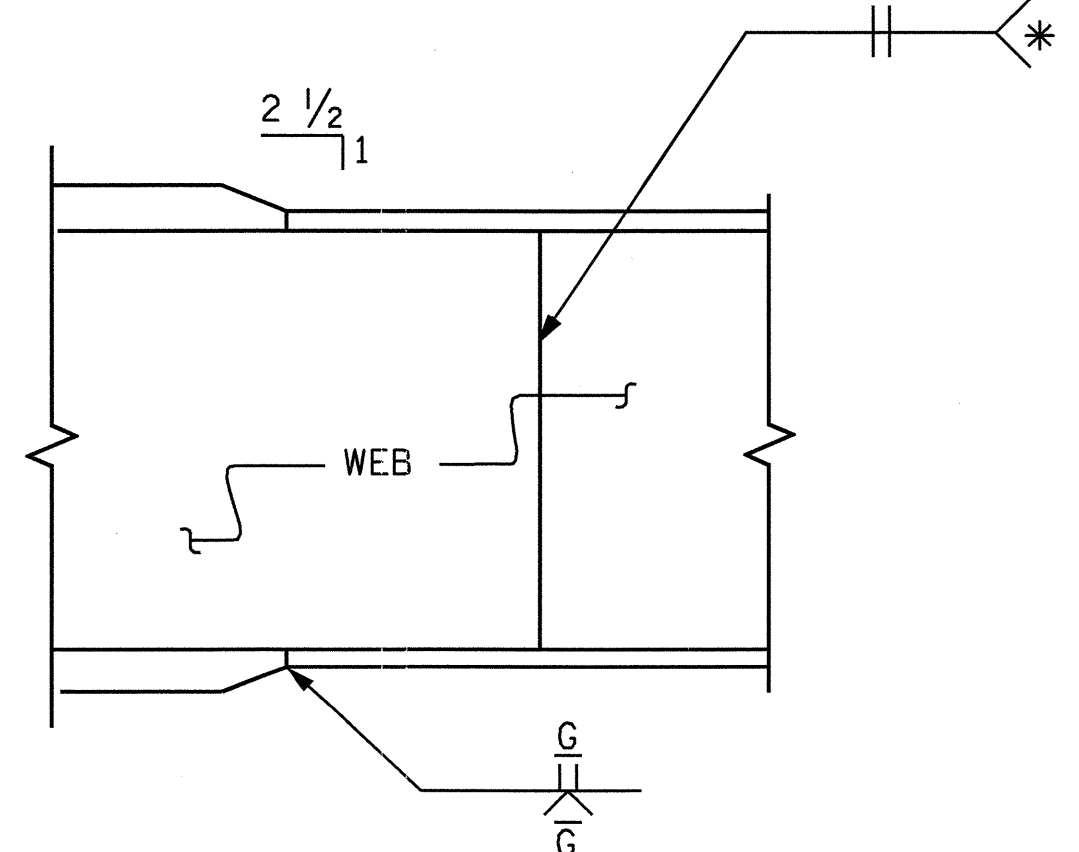


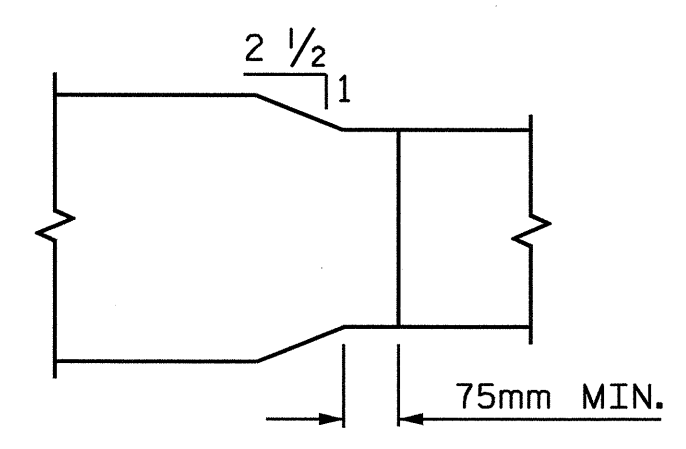
GIRDER ELEVATION



BOTTOM FLANGE DETAIL



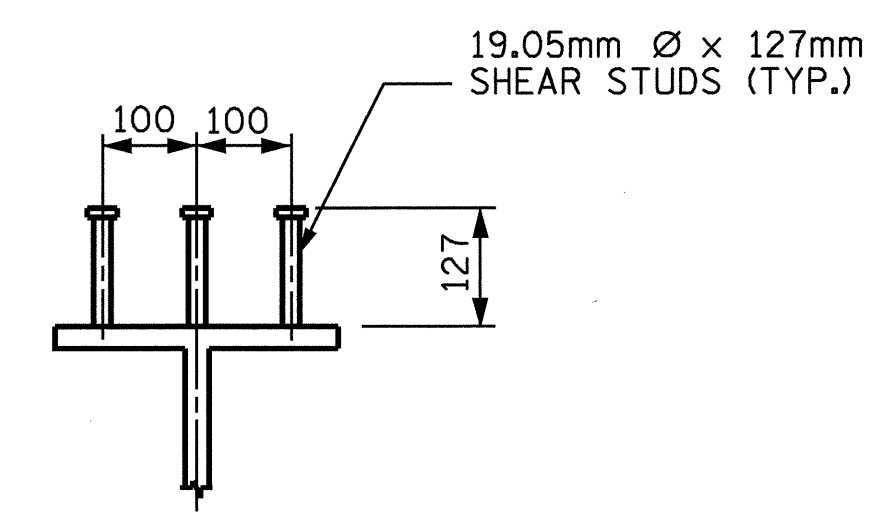
ELEVATION



PLAN - FLANGE SPLICE

\* GRIND SMOOTH AND FLUSH ON OUTER FACE OF EXTERIOR GIRDERS

TYPICAL FLANGE AND WEB BUTT JOINT

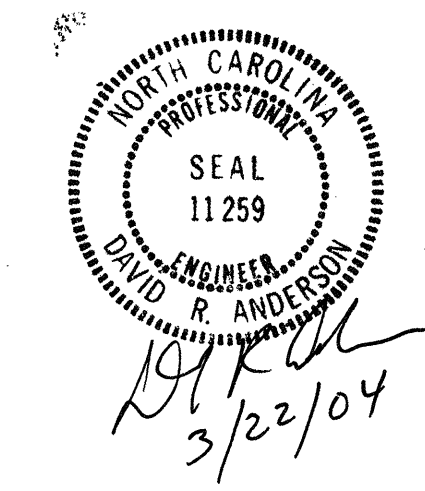


SHEAR STUD DETAILS

FOR 320mm FLANGE

PROJECT NO. R-513C  
ROBESON COUNTY  
STATION: 271+08.001 -L-  
SHEET 2 OF 4

STATE OF NORTH CAROLINA  
DEPARTMENT OF TRANSPORTATION  
RALEIGH  
SUPERSTRUCTURE  
STRUCTURAL  
STEEL DETAILS  
SPAN B



REVISIONS						SHEET NO.
NO.	BY:	DATE:	NO.	BY:	DATE:	
1			3			TOTAL SHEETS
2			4			312

DRAWN BY : N. Q. TRAN DATE : 8-02  
CHECKED BY : T. A. WALTER DATE : 8/02