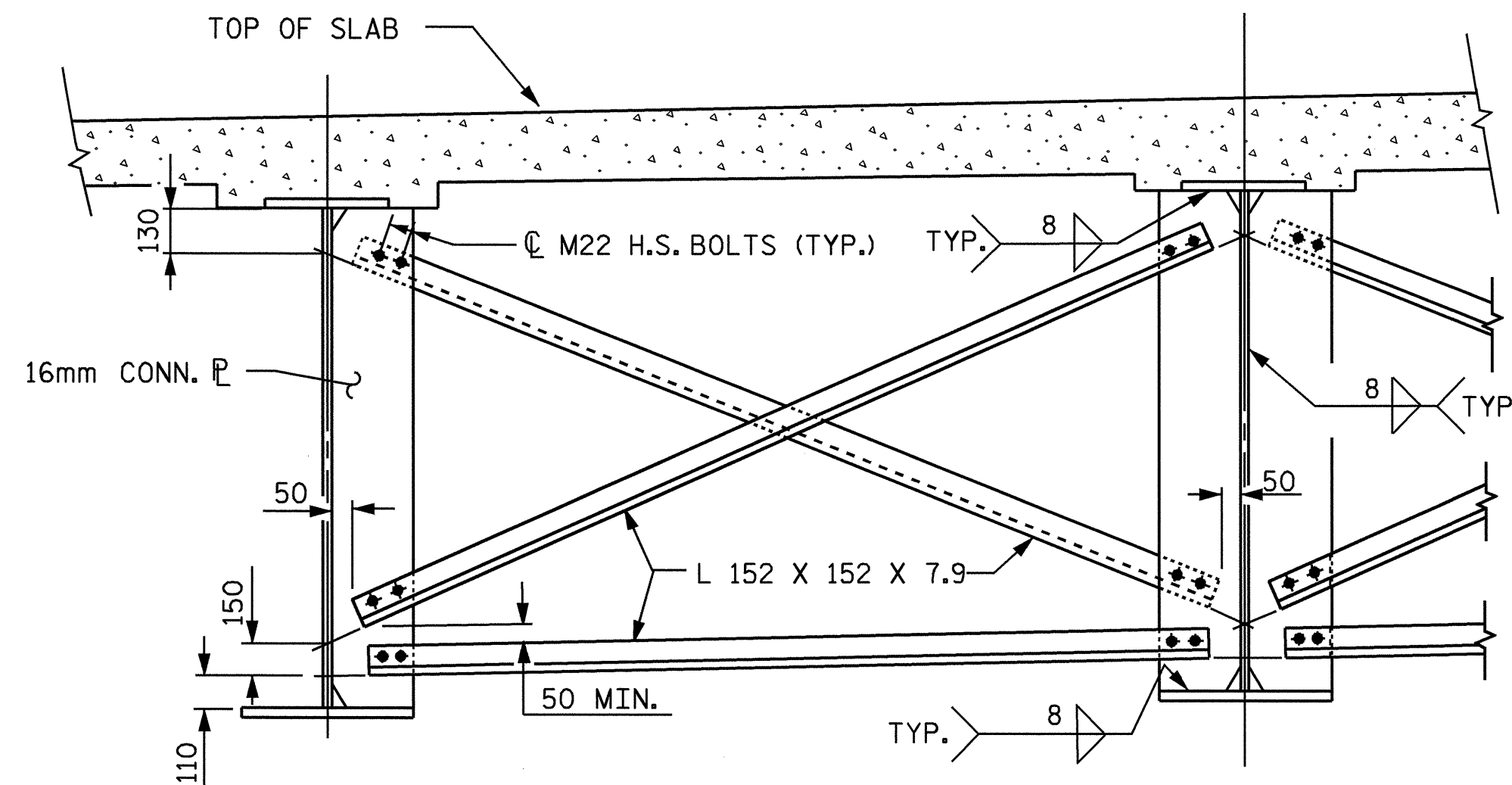
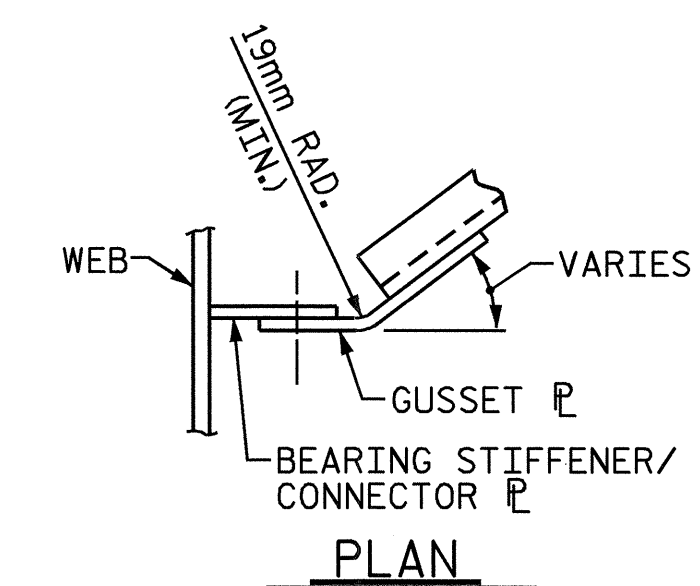


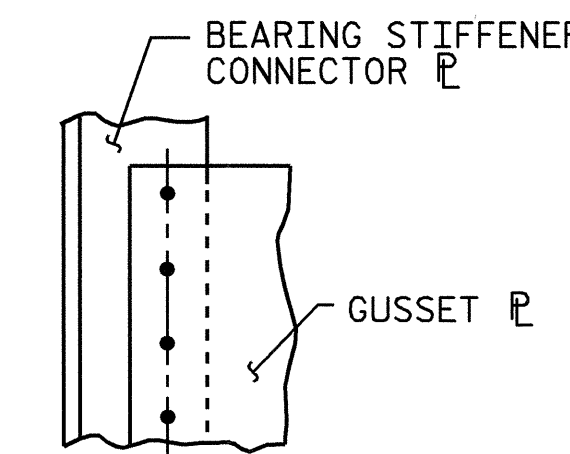
TYPICAL END BENT DIAPHRAGM (D1)



TYPICAL INTERMEDIATE & BENT DIAPHRAGM (D2)

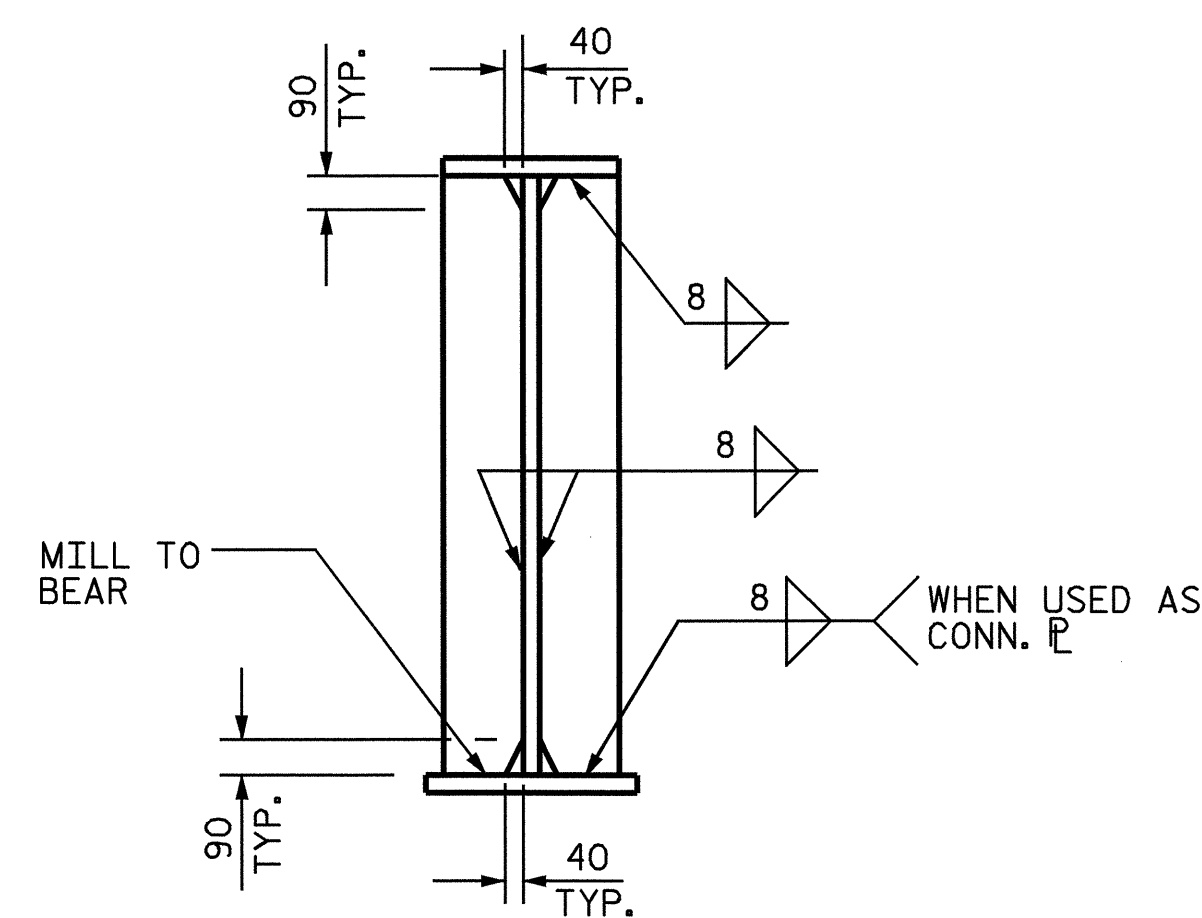


PLAN



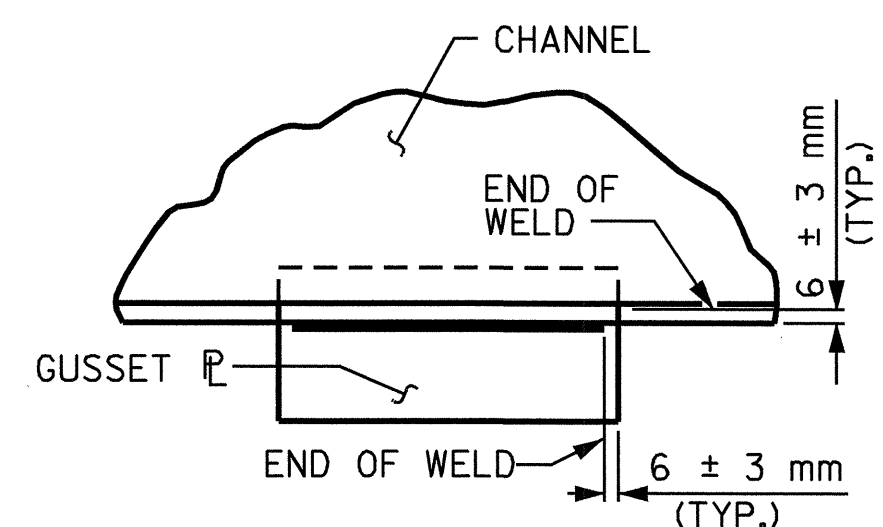
ELEVATION

GUSSET PLATE DETAILS

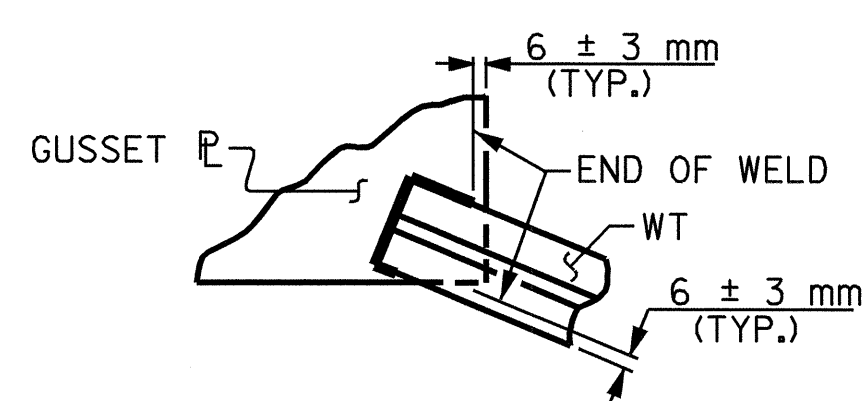


BEARING STIFFENER

@ BENT #1

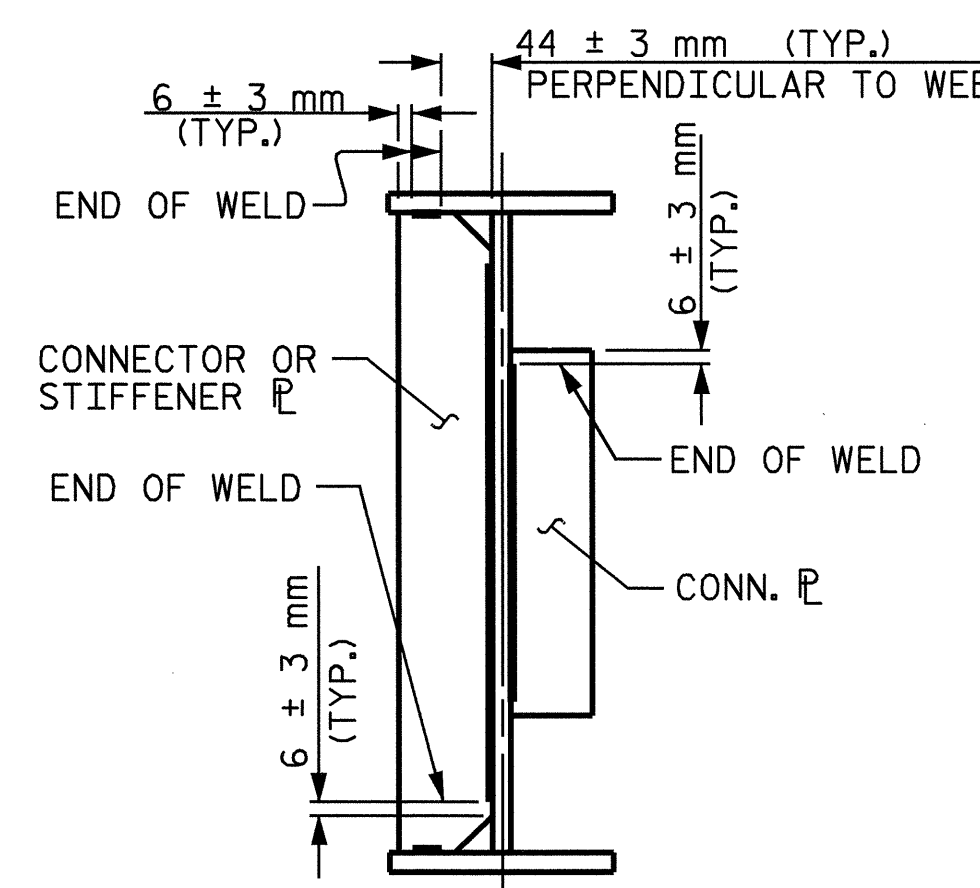


TYPICAL GUSSET PLATE CONNECTION

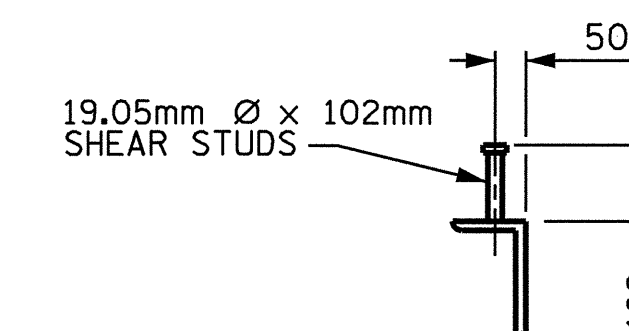


TYPICAL "TEE" TO GUSSET PLATE CONNECTION

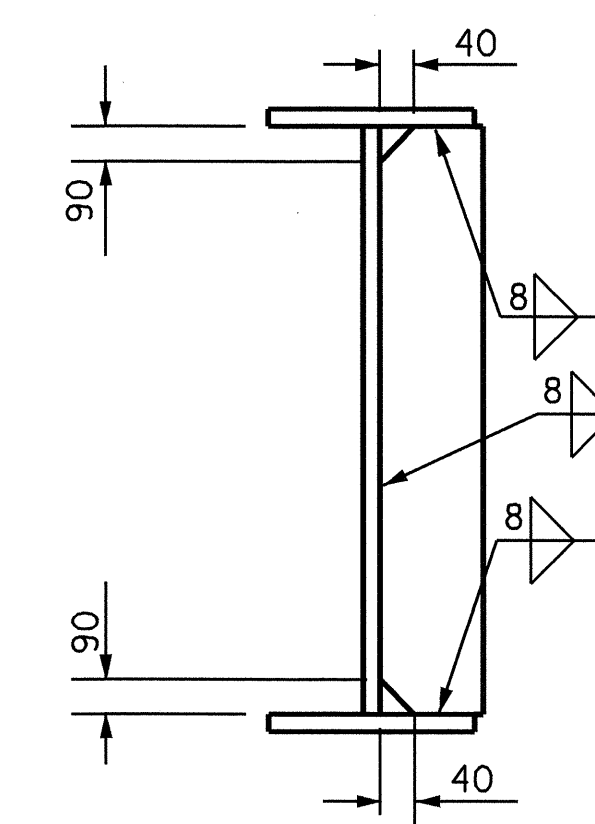
WELD TERMINATION DETAILS



TYPICAL STIFFENER OR CONNECTOR PLATE CONNECTIONS



SHEAR STUD DETAILS

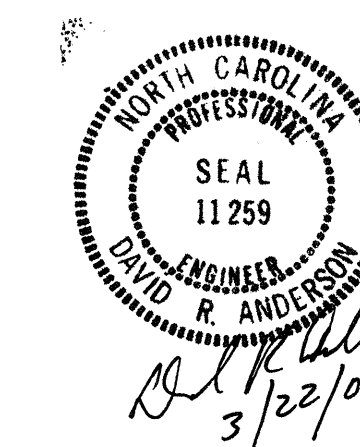


CONNECTOR PLATE

PROJECT NO. R-513C
ROBESON COUNTY
STATION: 271+08.001 -L-

SHEET 3 OF 4

STATE OF NORTH CAROLINA
DEPARTMENT OF TRANSPORTATION
RALEIGH
SUPERSTRUCTURE
STRUCTURAL
STEEL DETAILS



DRAWN BY: N. Q. TRAN DATE: 8-02
CHECKED BY: T. A. WALTER DATE: 8/02

REVISIONS					SHEET NO. 5-107
NO.	BY:	DATE:	NO.	DATE:	
1			3		TOTAL SHEETS 312
2			4		