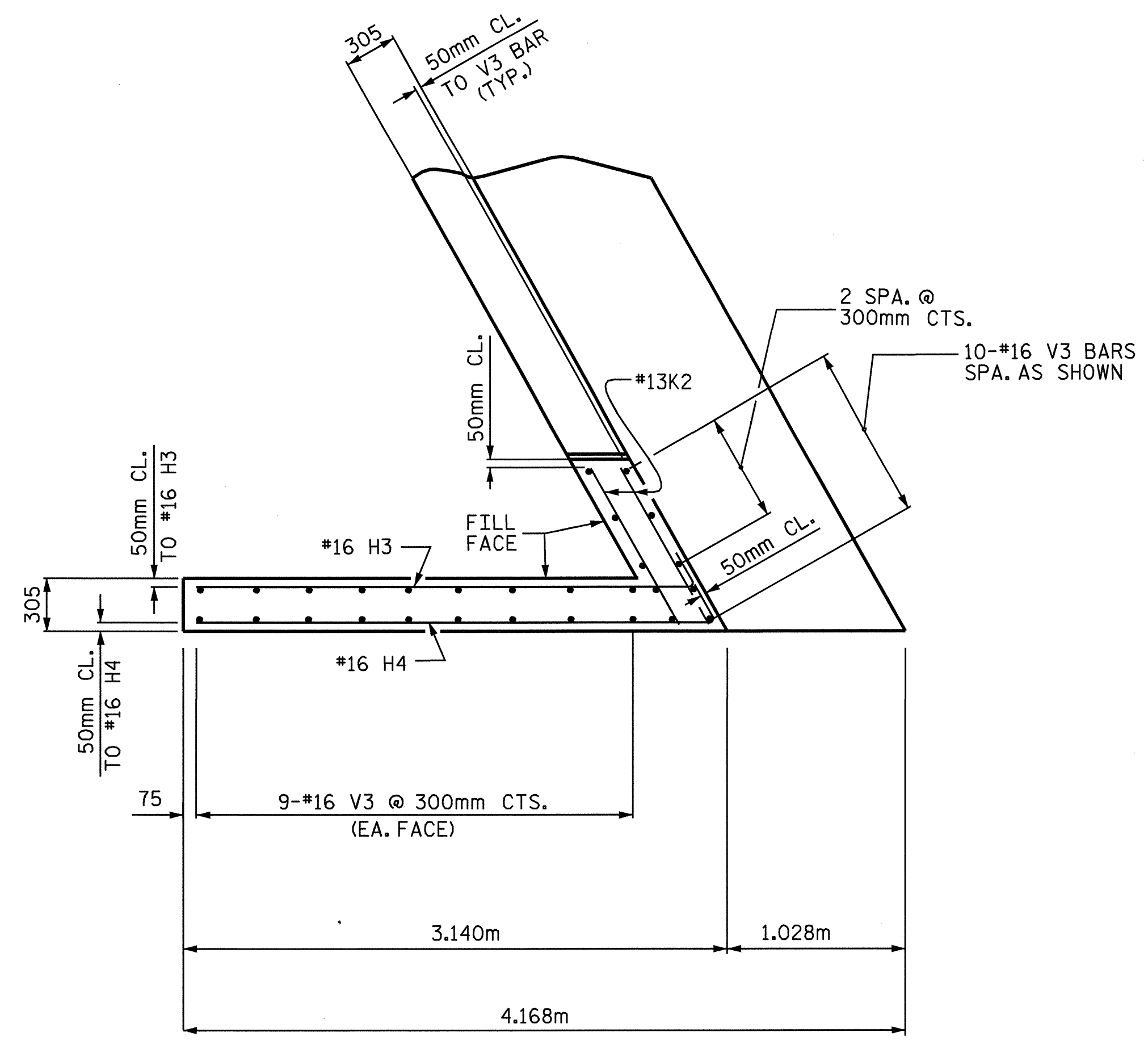
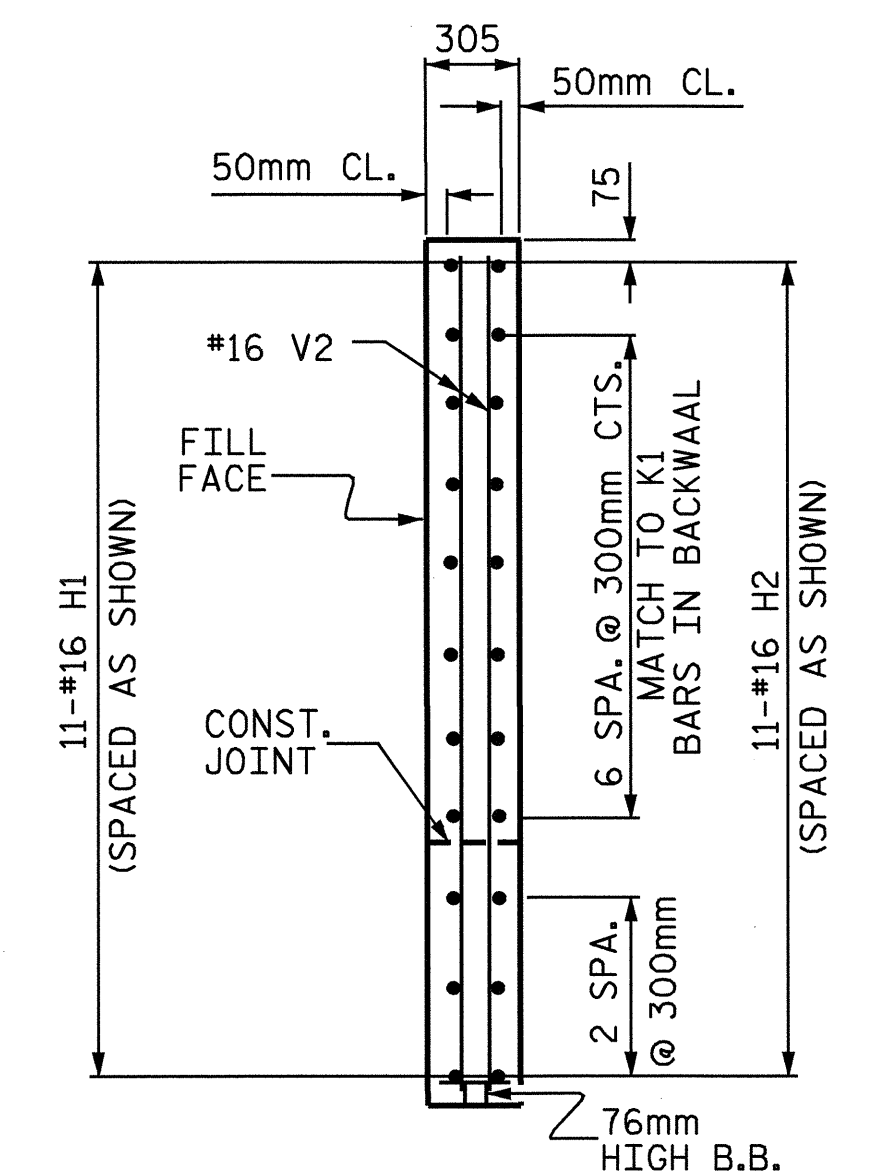


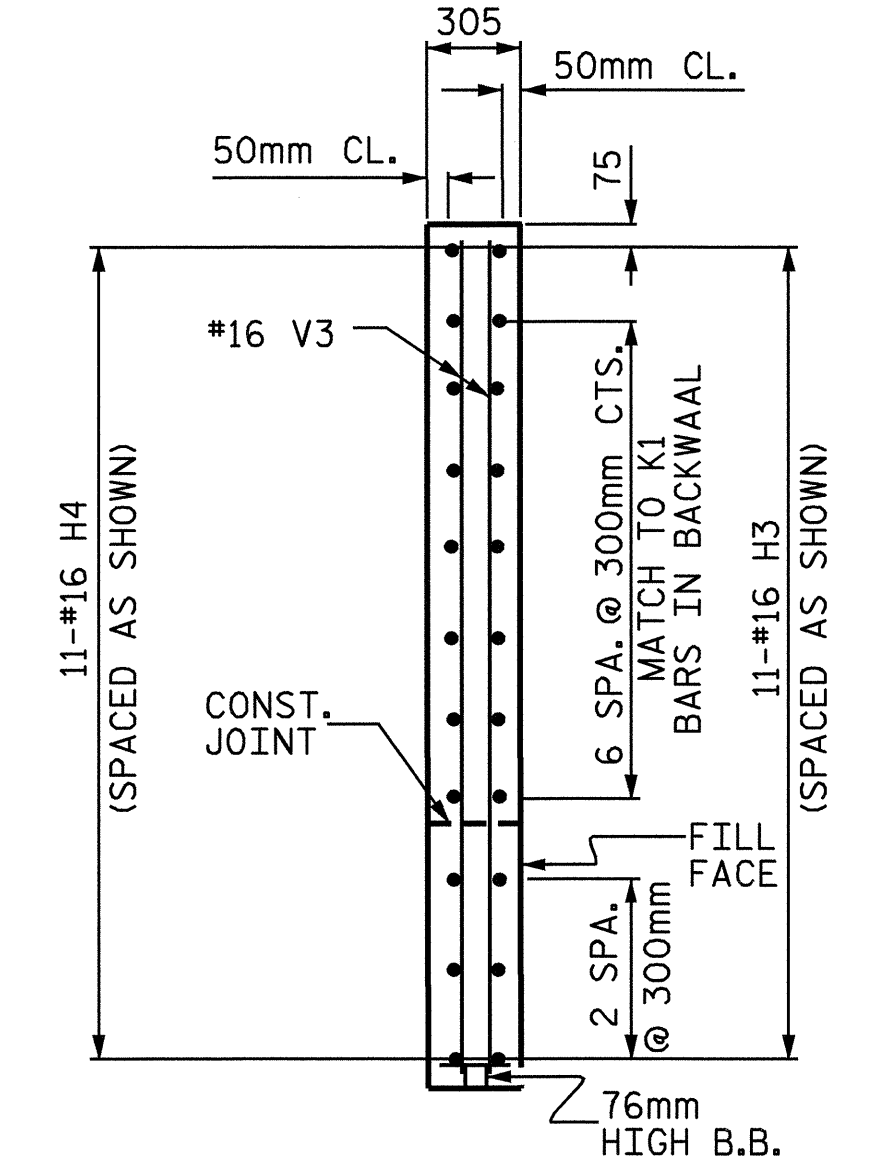
PLAN OF WING W1



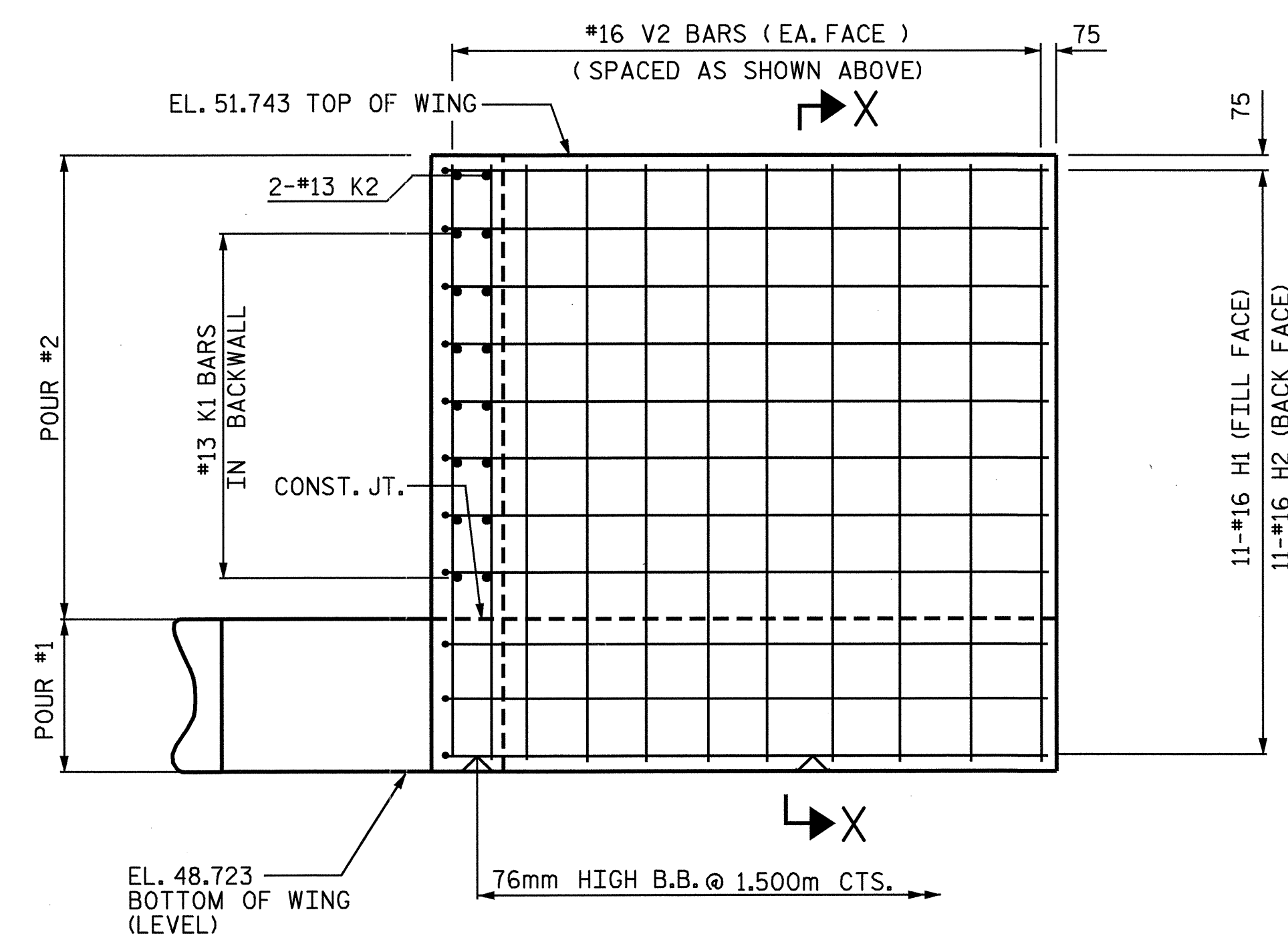
PLAN OF WING W2



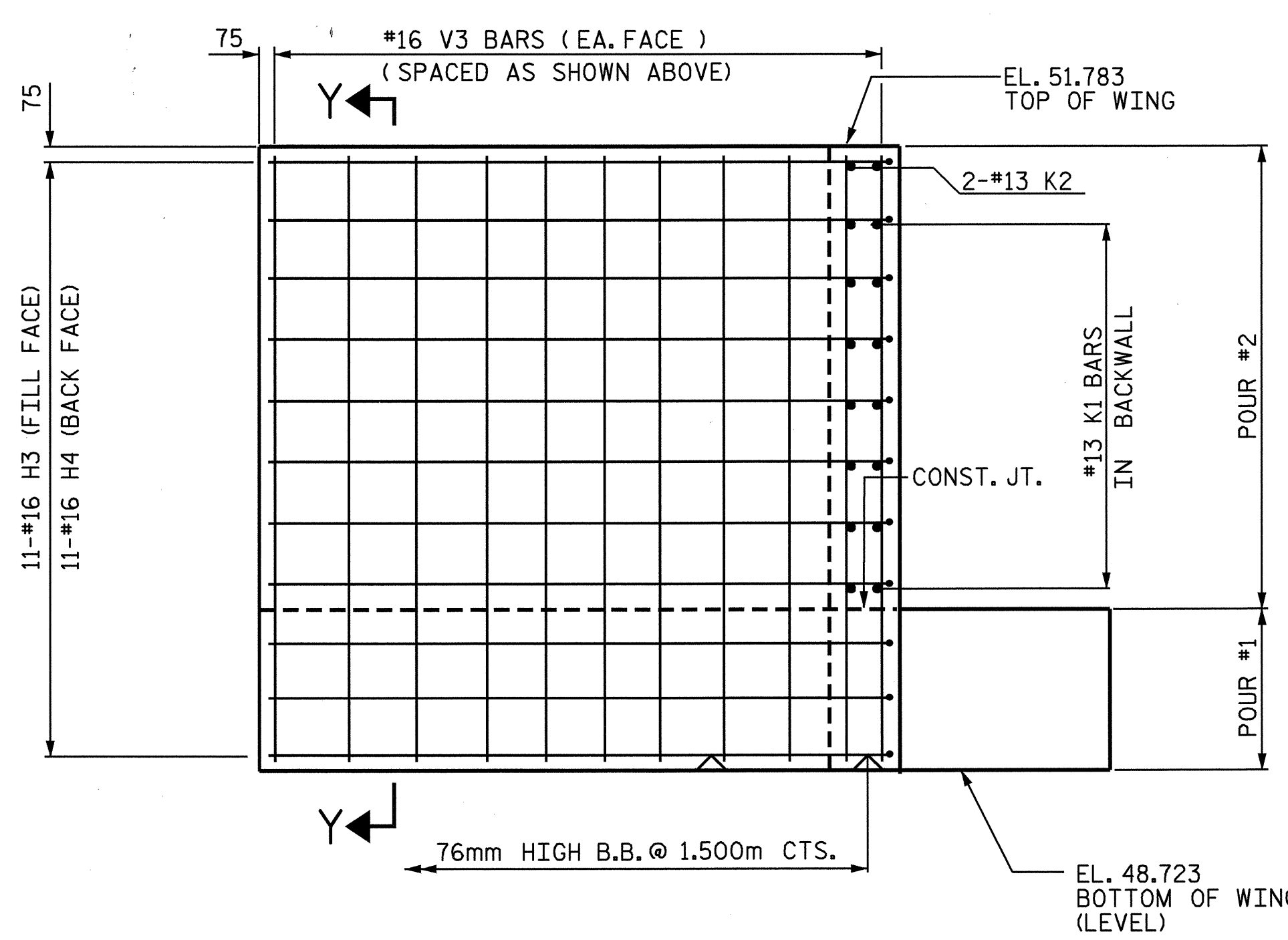
SECTION X-X



SECTION Y-Y



ELEVATION OF WING W1



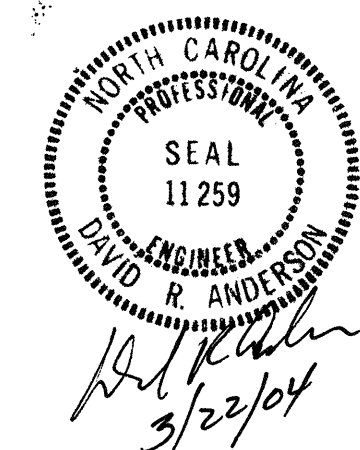
ELEVATION OF WING W2

PROJECT NO. R-513C
ROBESON COUNTY
STATION: 271+08.001-L-

SHEET 2 OF 3

STATE OF NORTH CAROLINA
DEPARTMENT OF TRANSPORTATION
RALEIGH

SUBSTRUCTURE
END BENT 1



REVISIONS				SHEET NO.	
NO.	BY:	DATE:	NO.	BY:	DATE:
1			3		
2			4		

TOTAL SHEETS: 312

DRAWN BY: S. M. RASHIDI DATE: 5/14/02
CHECKED BY: K. P. SEDAI DATE: 8/28/02