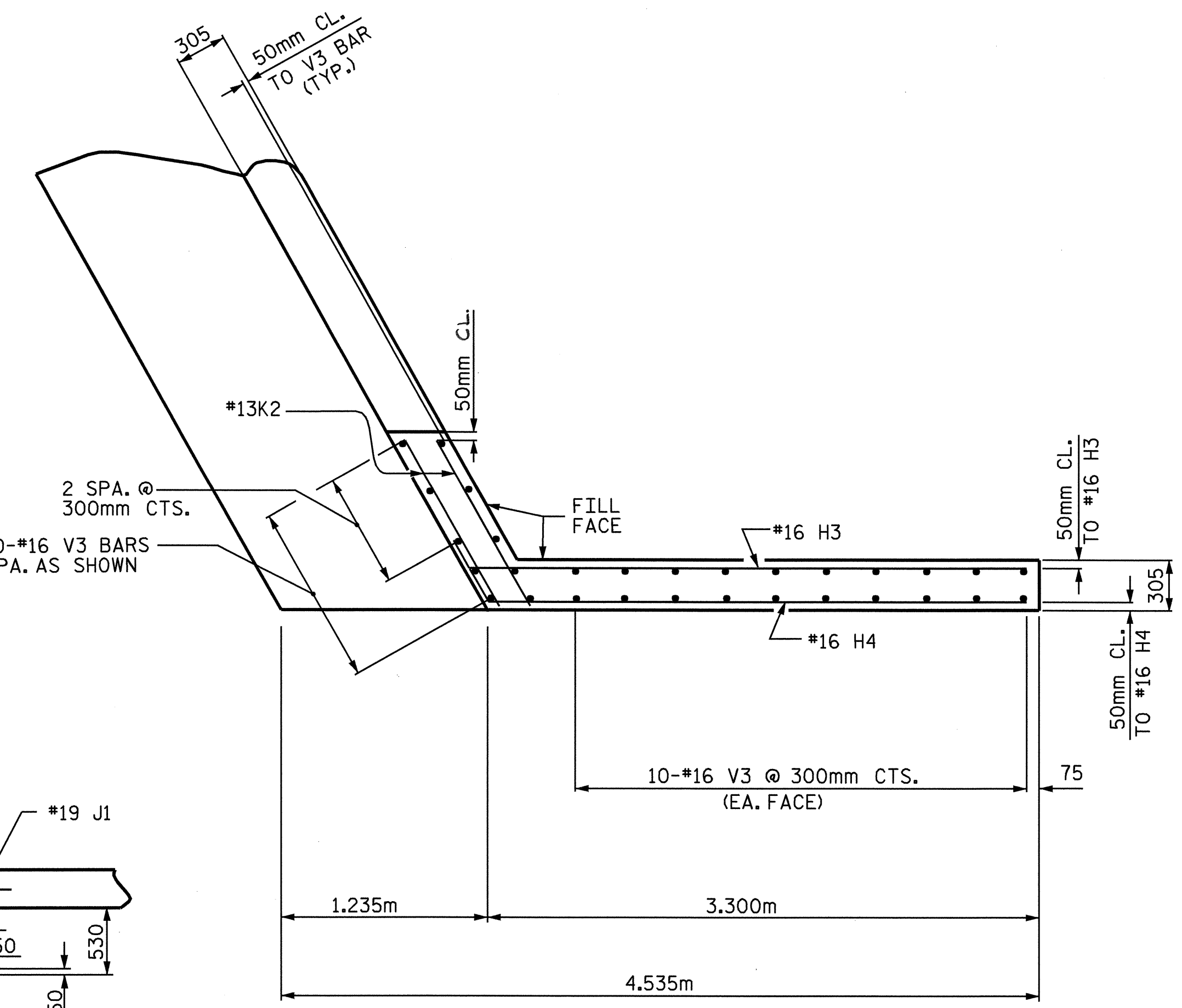
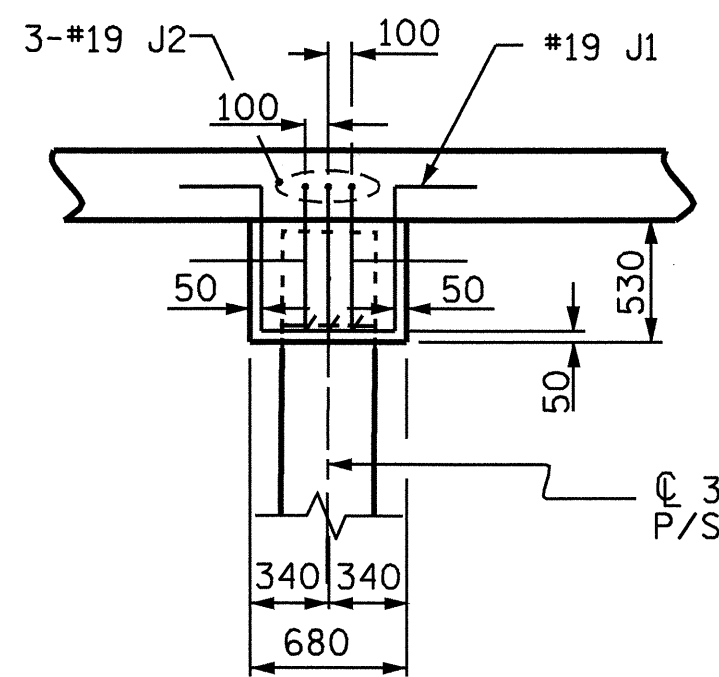


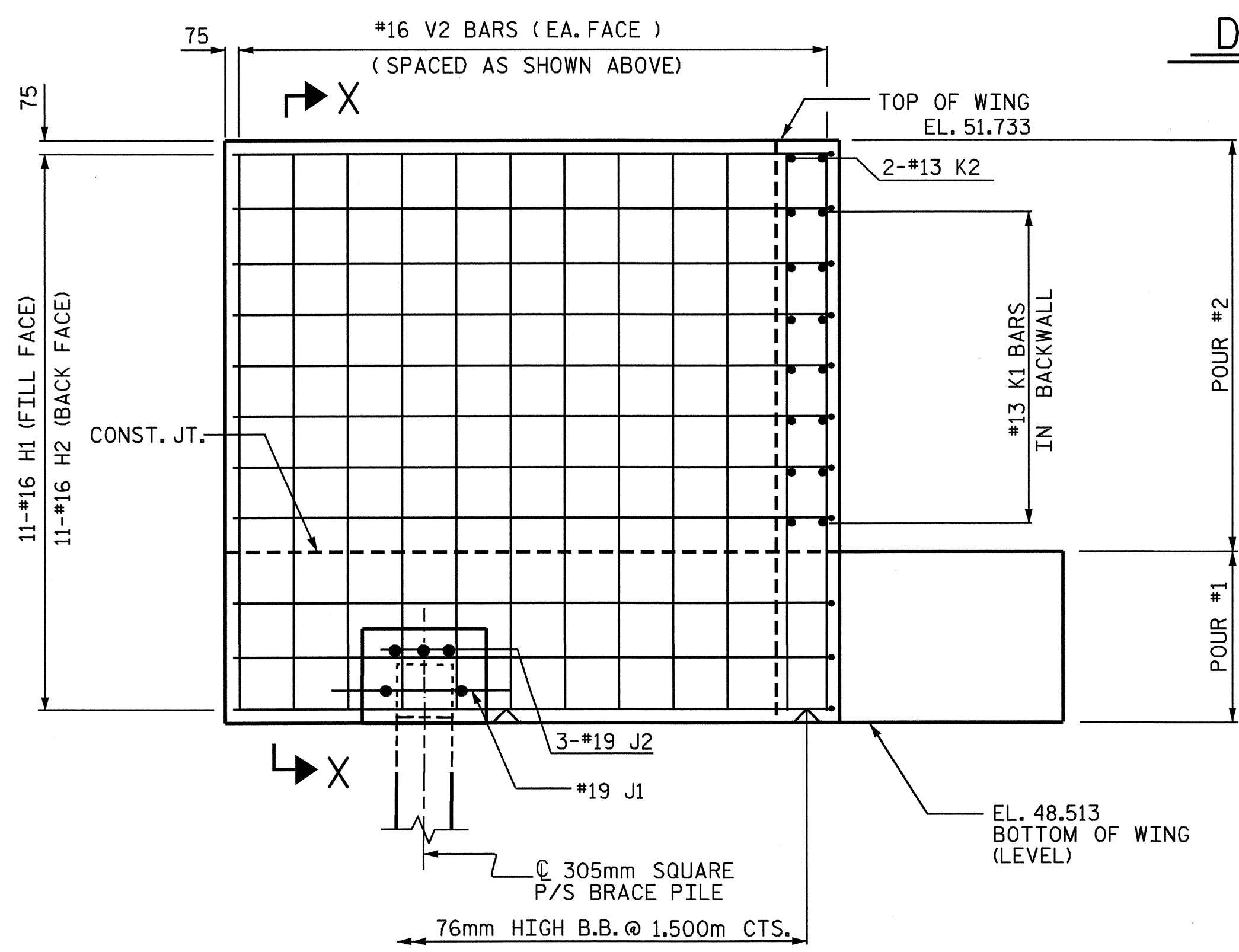
PLAN OF WING W1



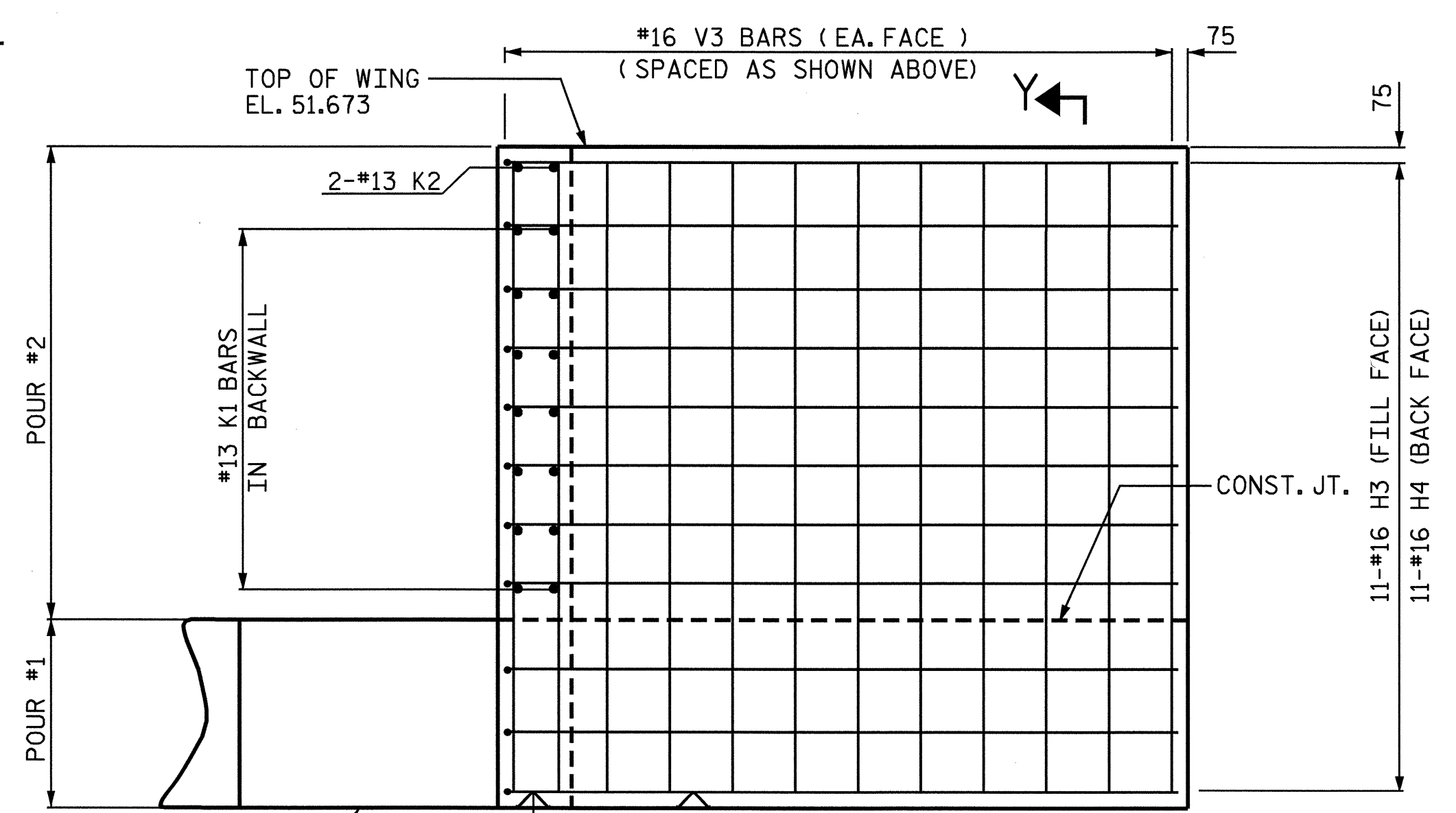
PLAN OF WING W2



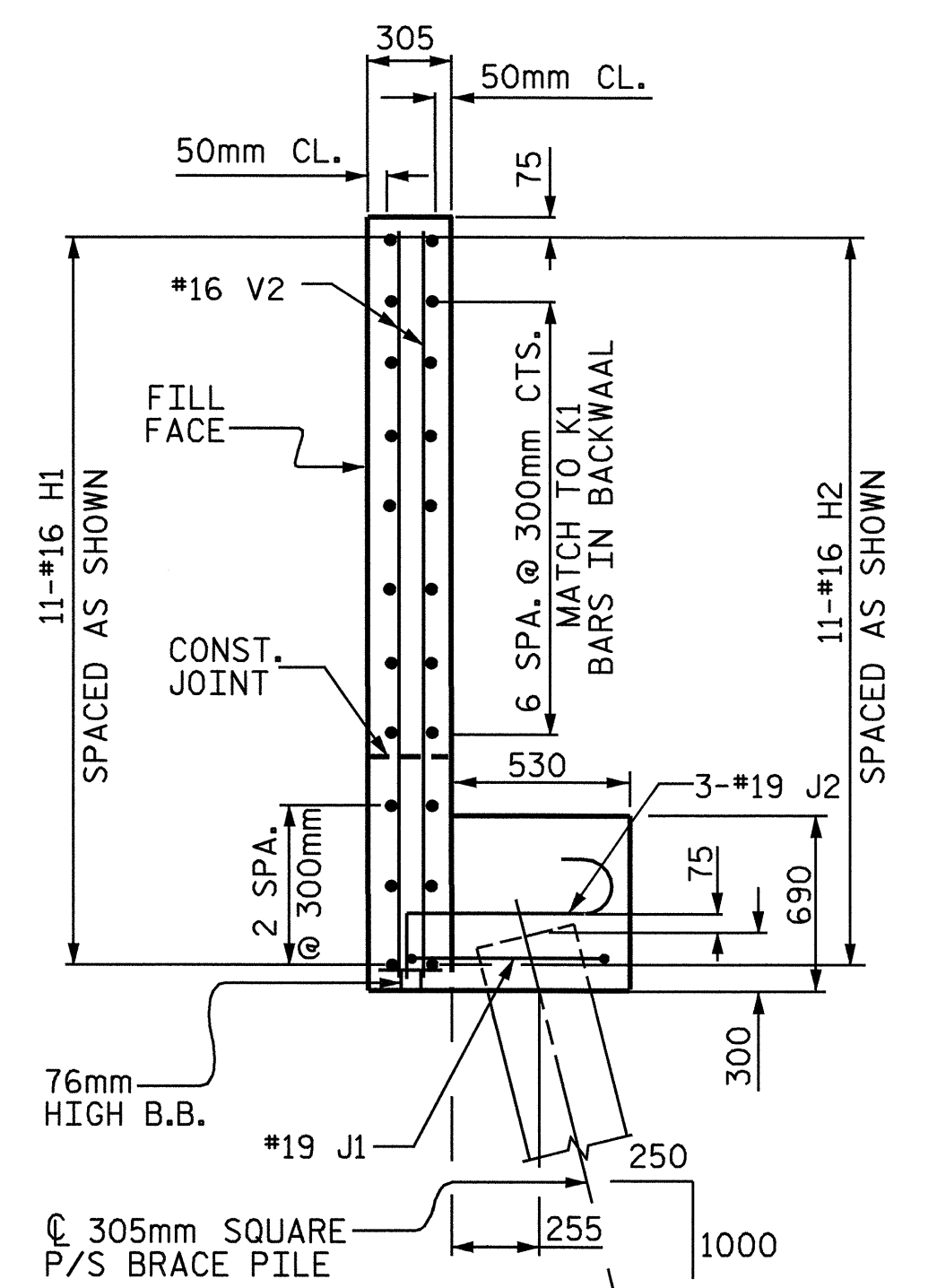
DETAIL B



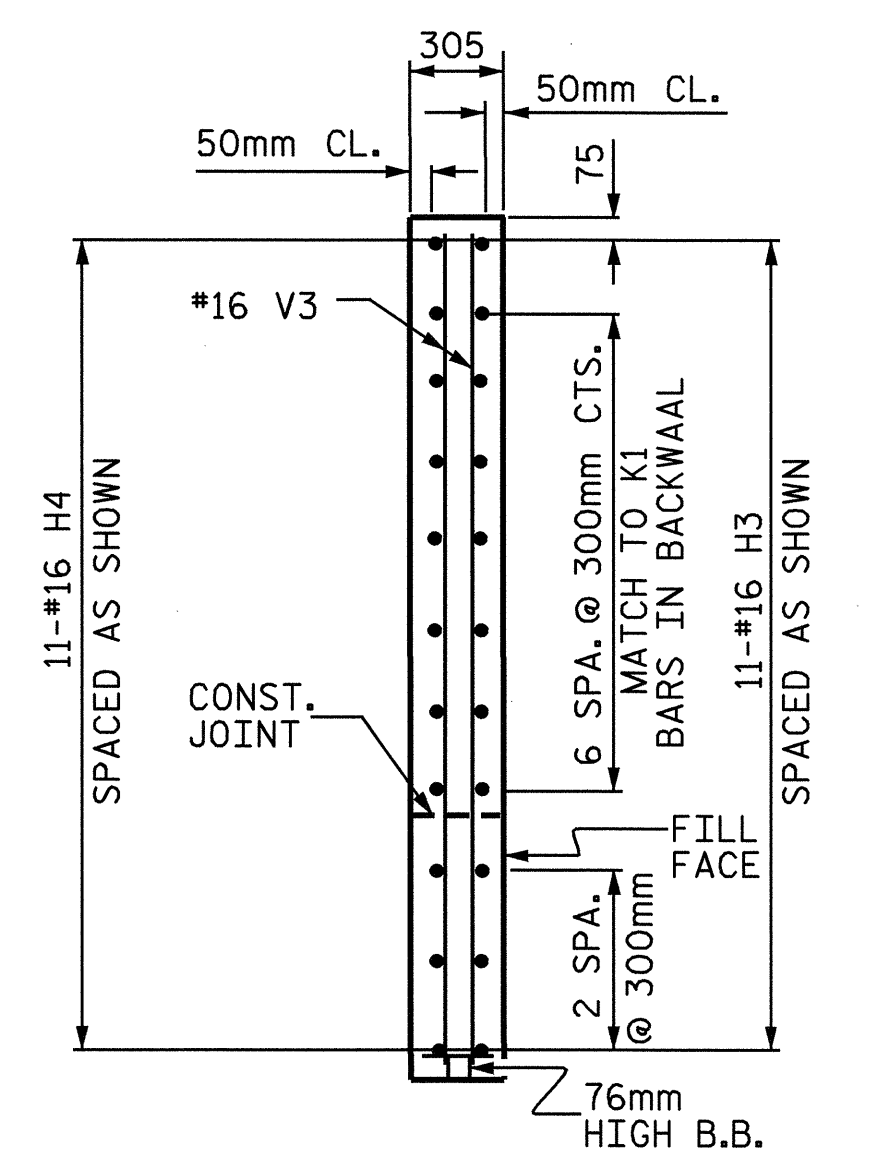
ELEVATION OF WING W1



ELEVATION OF WING W2

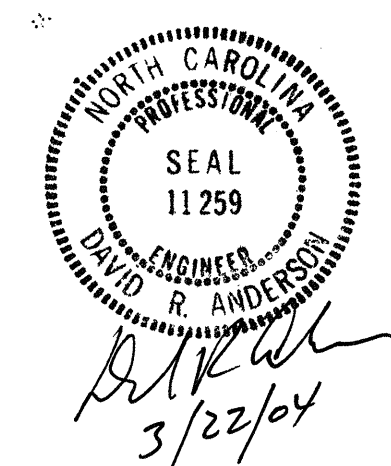


SECTION X-X



SECTION Y-Y

PROJECT NO. R-513C  
ROBESON COUNTY  
STATION: 271+08.001-L-  
SHEET 2 OF 3



STATE OF NORTH CAROLINA DEPARTMENT OF TRANSPORTATION RALEIGH						SHEET NO. S-121
SUBSTRUCTURE END BENT 2						TOTAL SHEETS 312
REVISIONS						SHEET NO. S-121
NO.	BY:	DATE:	NO.	BY:	DATE:	
1			3			
2			4			

DRAWN BY: S. M. RASHIDI DATE: 5/14/02  
CHECKED BY: K. P. SEDAI DATE: 8/28/02