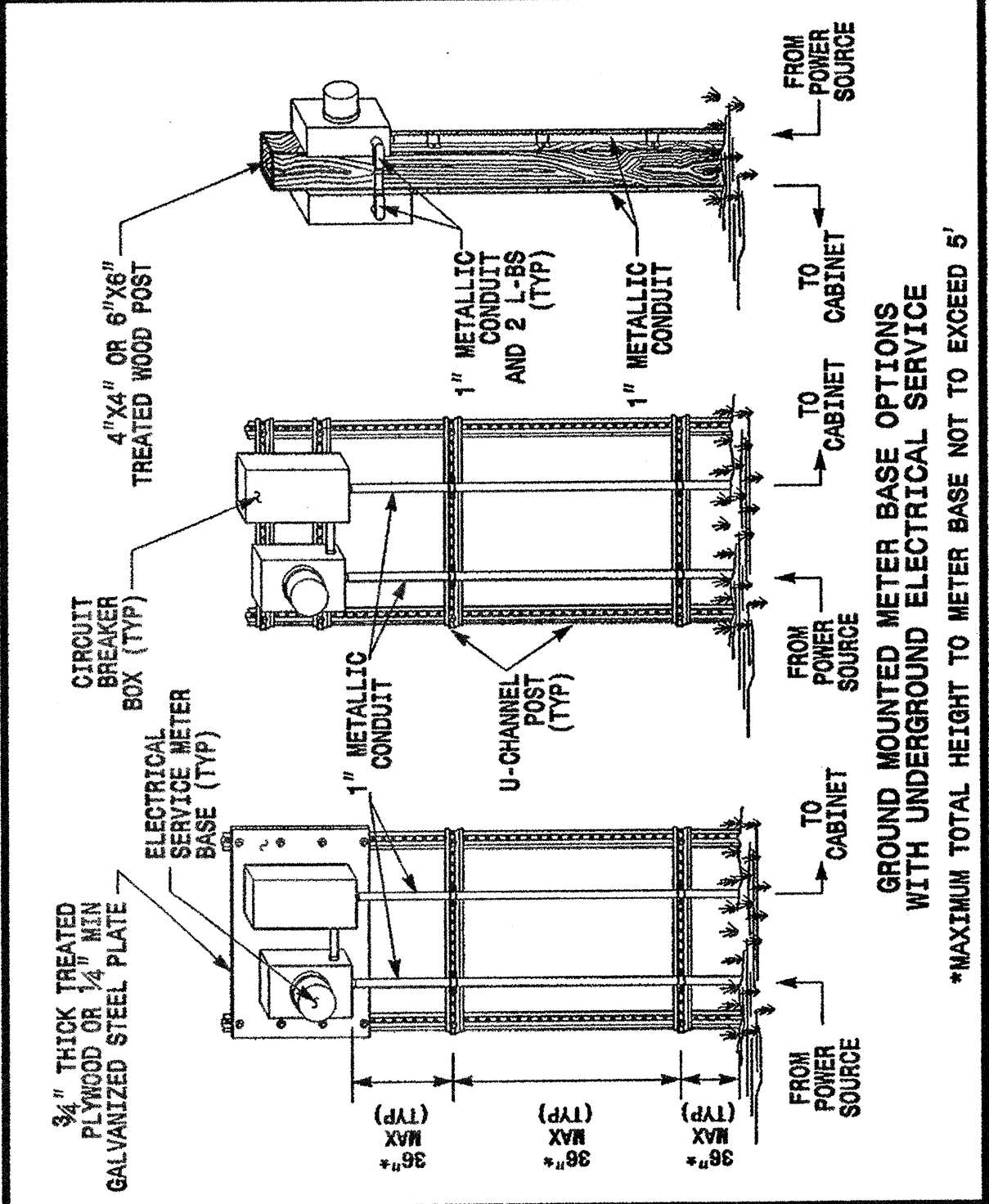
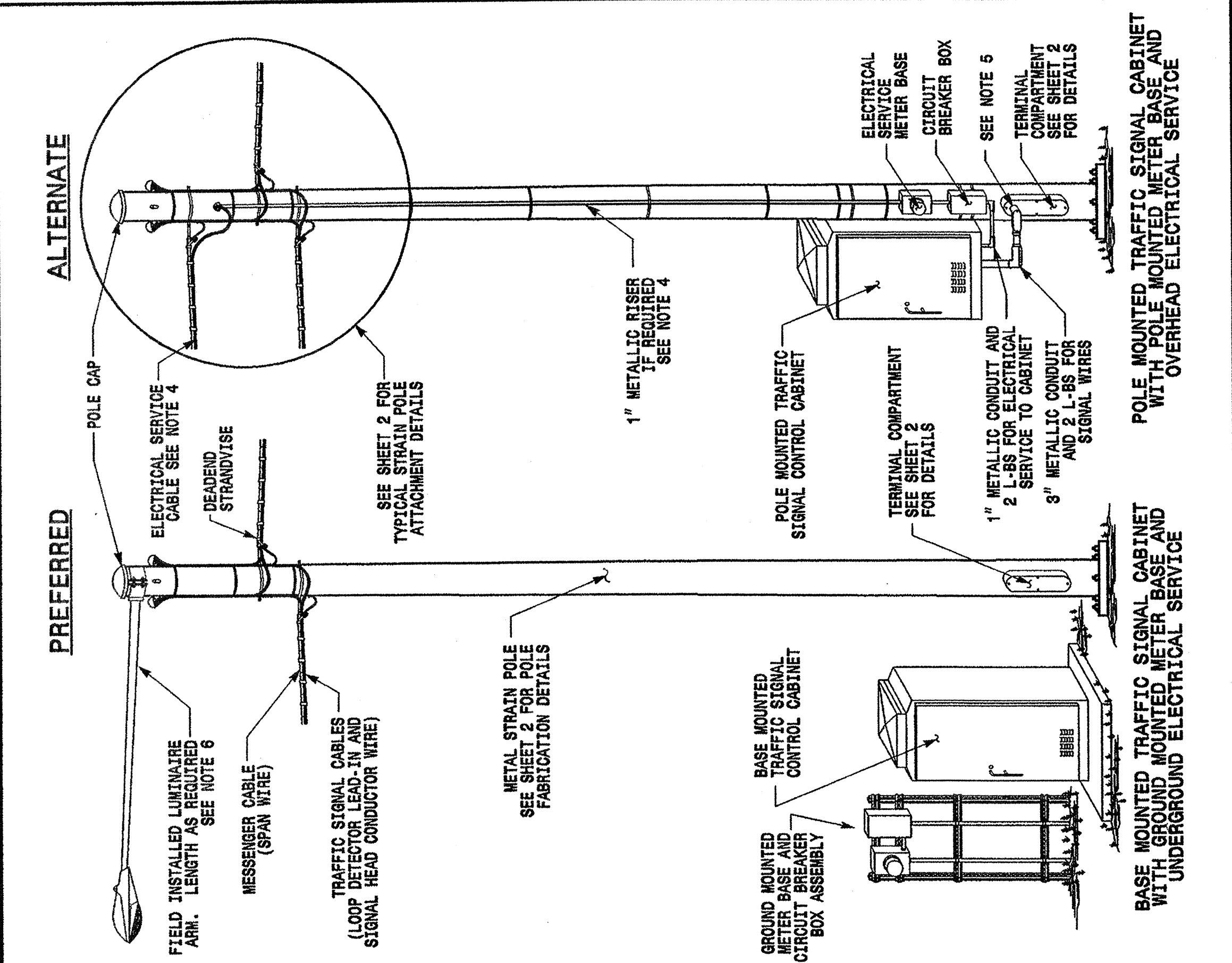


STATE OF NORTH CAROLINA DEPT. OF TRANSPORTATION DIVISION OF HIGHWAYS RALEIGH, N.C.

ENGLISH STANDARD DRAWING FOR METAL POLES ELECTRICAL SERVICE AND SIGNAL CABINET MOUNTING OPTIONS

SHEET 1 OF 3 1740.01



GENERAL NOTES

- WHEN TRAFFIC SIGNALS ARE INSTALLED USING METAL SIGNAL SUPPORTS:
 - SEE LOCATED CABINETS AS THE PREFERRED CABINET OPTION.
 - ROUTE POWER SOURCE UNDERGROUND AND USE GROUND MOUNTING OPTIONS SHOWN ABOVE TO INSTALL METER BASE AND CIRCUIT BREAKER BOX IF POSSIBLE.
- LOCATE THE METER BASE ASSEMBLY NEAR THE SIGNAL CABINET IN A MANNER THAT WILL ALLOW EASY ACCESS TO THE CIRCUIT BREAKER BOX.
- INSTALL METER BASE ASSEMBLIES AS SHOWN ABOVE. ENSURE 1" METALLIC CONDUITS ARE PROPERLY SECURED BETWEEN THE METER BASE ASSEMBLIES AND THE GROUND TO MINIMIZE DAMAGE POTENTIAL. REFER TO ROADWAY STANDARD DRAWING 1751.02 FOR ELECTRICAL SERVICE DETAILS.
- SOURCE IS NOT AN OPTION. METER BASE AND CIRCUIT BREAKER BOX MAY BE INSTALLED ON THE POLE WHEN POLE MOUNTED CABINETS ARE REQUIRED FOR THE INSTALLATION. SEE SHEET 2 FOR ADDITIONAL INSTALLATION DETAILS.
- FOR POLE MOUNTED CABINETS, USE A FACTORY DRILLED HOLE IN THE TERMINAL COMPARTMENT TO PROVIDE ACCESS FOR SIGNAL WIRES ENTERING THE POLE FROM THE CABINET. FIELD DRILLED HOLES ARE ACCEPTABLE ONLY IF APPROVED BY THE ENGINEER.
- SEE ROADWAY STANDARD DRAWING 1408.01 (LIGHT STANDARD LUMINAIRES) FOR LUMINAIRE INSTALLATIONS.

*MAXIMUM TOTAL HEIGHT TO METER BASE NOT TO EXCEED 5'

STATE OF NORTH CAROLINA DEPT. OF TRANSPORTATION DIVISION OF HIGHWAYS RALEIGH, N.C.

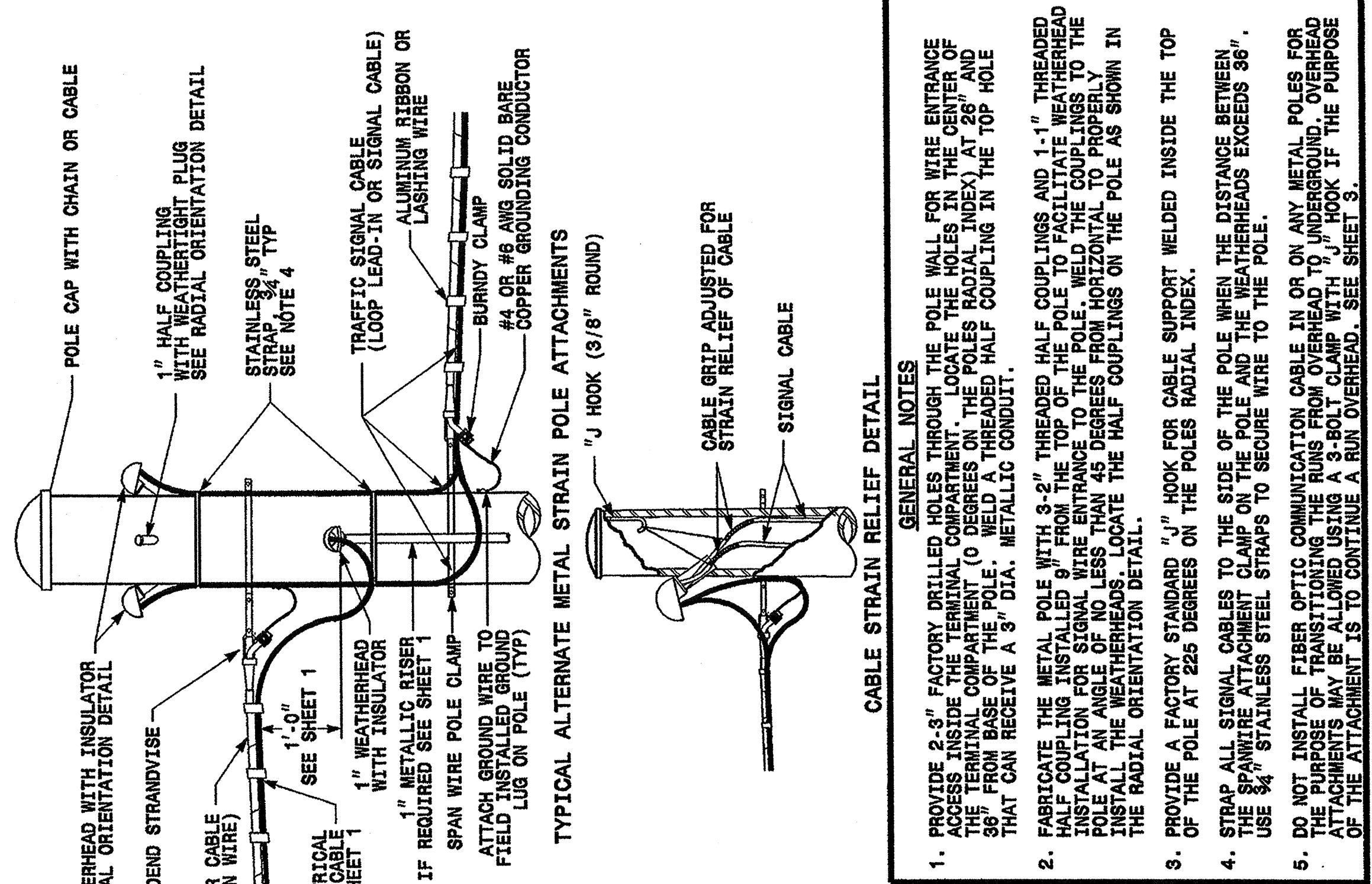
ENGLISH STANDARD DRAWING FOR METAL POLES ELECTRICAL SERVICE AND SIGNAL CABINET MOUNTING OPTIONS

SHEET 1 OF 3 1740.01

STATE OF NORTH CAROLINA DEPT. OF TRANSPORTATION DIVISION OF HIGHWAYS RALEIGH, N.C.

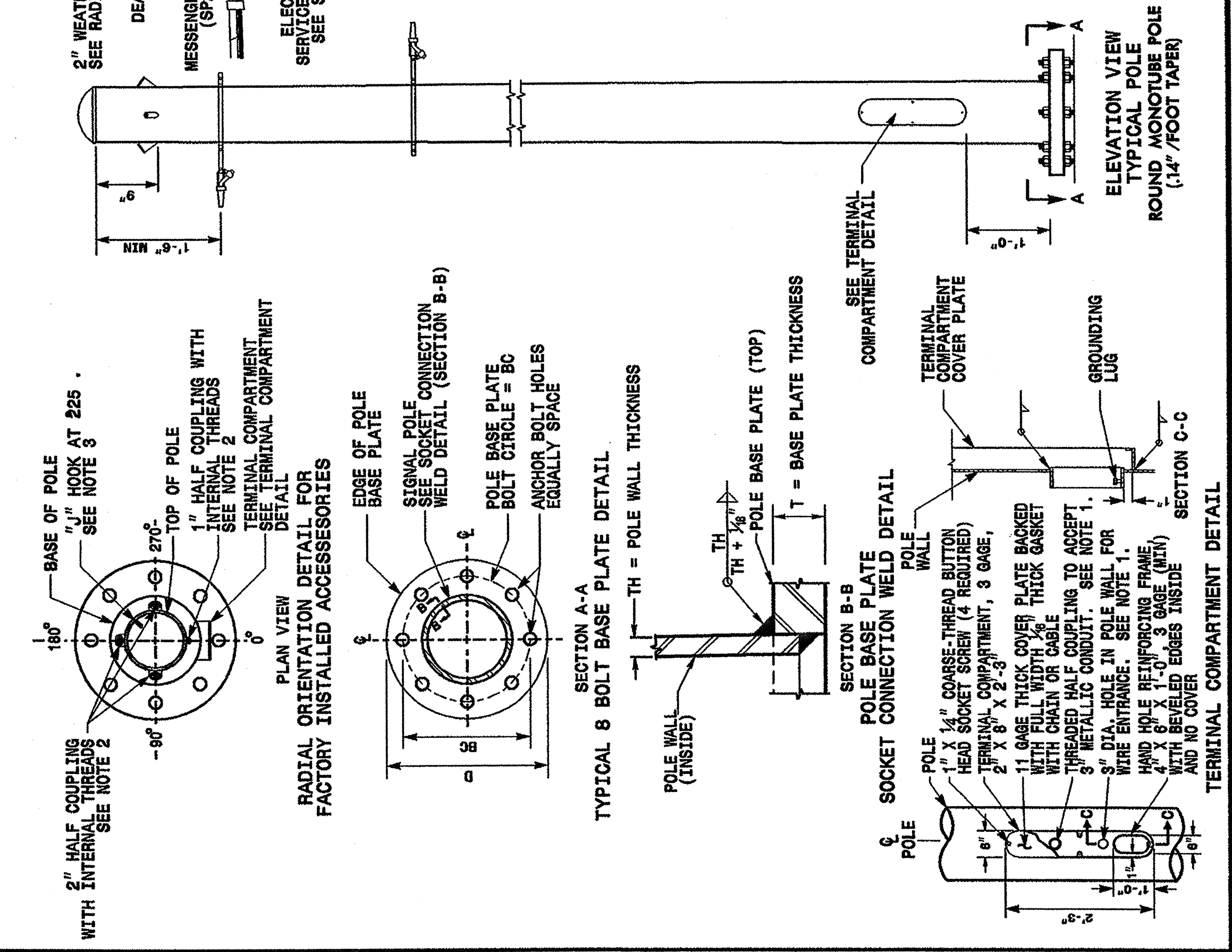
ENGLISH STANDARD DRAWING FOR METAL POLES FABRICATION AND ATTACHMENT DETAILS

SHEET 2 OF 3 1740.01



GENERAL NOTES

- PROVIDE 2-3" FACTORY DRILLED HOLES THROUGH THE POLE WALL FOR WIRE ENTRANCE ACCESS INSIDE THE TERMINAL COMPARTMENT. THE HOLES SHOULD BE LOCATED AT 225° AND 180° FROM THE POLE BASE. THE HOLES SHOULD BE 1 1/2" DIA. AND THE HOLES SHOULD RECEIVE A 3/8" DIA. METALLIC CONDUIT.
- FABRICATE THE METAL POLE WITH 3-2" THREADED HALF COUPLINGS AND 1-1" THREADED HALF COUPLING FOR SIGNAL WIRE ENTRANCE TO THE POLE. WELD THE COUPLINGS TO THE POLE AT AN ANGLE OF NO LESS THAN 45 DEGREES FROM HORIZONTAL TO PROPERLY INSTALL THE WEATHERHEADS. LOCATE THE HALF COUPLINGS ON THE POLE AS SHOWN IN THE RADIAL ORIENTATION DETAIL.
- PROVIDE A FACTORY STANDARD "J" HOOK FOR CABLE SUPPORT WELDED INSIDE THE TOP OF THE POLE AT 225 DEGREES ON THE POLES RADIAL INDEX.
- STRAP ALL SIGNAL CABLES TO THE SIDE OF THE POLE WHEN THE DISTANCE BETWEEN THE SPANWIRE ATTACHMENT CLAMP ON THE POLE AND THE WEATHERHEADS EXCEEDS 36". USE 3/4" STAINLESS STEEL STRAPS TO SECURE WIRE TO THE POLE.
- DO NOT INSTALL FIBER OPTIC COMMUNICATION CABLE IN OR ON ANY METAL POLES FOR THE PURPOSE OF TRANSITTING THE RUNS FROM OVERHEAD TO UNDERGROUND. OVERHEAD ATTACHMENTS MAY BE ALLOWED USING A 3-BOLT CLAMP WITH "J" HOOK IF THE PURPOSE OF THE ATTACHMENT IS TO CONTINUE A RUN OVERHEAD. SEE SHEET 3.



STATE OF NORTH CAROLINA DEPT. OF TRANSPORTATION DIVISION OF HIGHWAYS RALEIGH, N.C.

ENGLISH STANDARD DRAWING FOR METAL POLES FABRICATION AND ATTACHMENT DETAILS

SHEET 2 OF 3 1740.01

<p>Structural Engineer</p> <p>Signature: D. Sankar 9-23-03</p>	<p>Electrical Engineer</p> <p>Signature: Milton Dean 9-24-03</p>
<p>Standard Drawings</p> <p>Traffic Management and Signal Systems Unit</p> <p>122 N. McDowell St., Raleigh, NC 27603</p>	
<p>See Plate for Title</p>	
<p>Original: 2002 Standards</p>	

23-SEP-2003 11:23
 W:\p000\res-uni\hw\workgroups\3d\roadway\standard\dwg\eng\1\shenlon_shestdwg\174001_174001.dgn
 c:\p000\res-uni\hw\workgroups\3d\roadway\standard\dwg\eng\1\shenlon_shestdwg\174001_174001.dgn