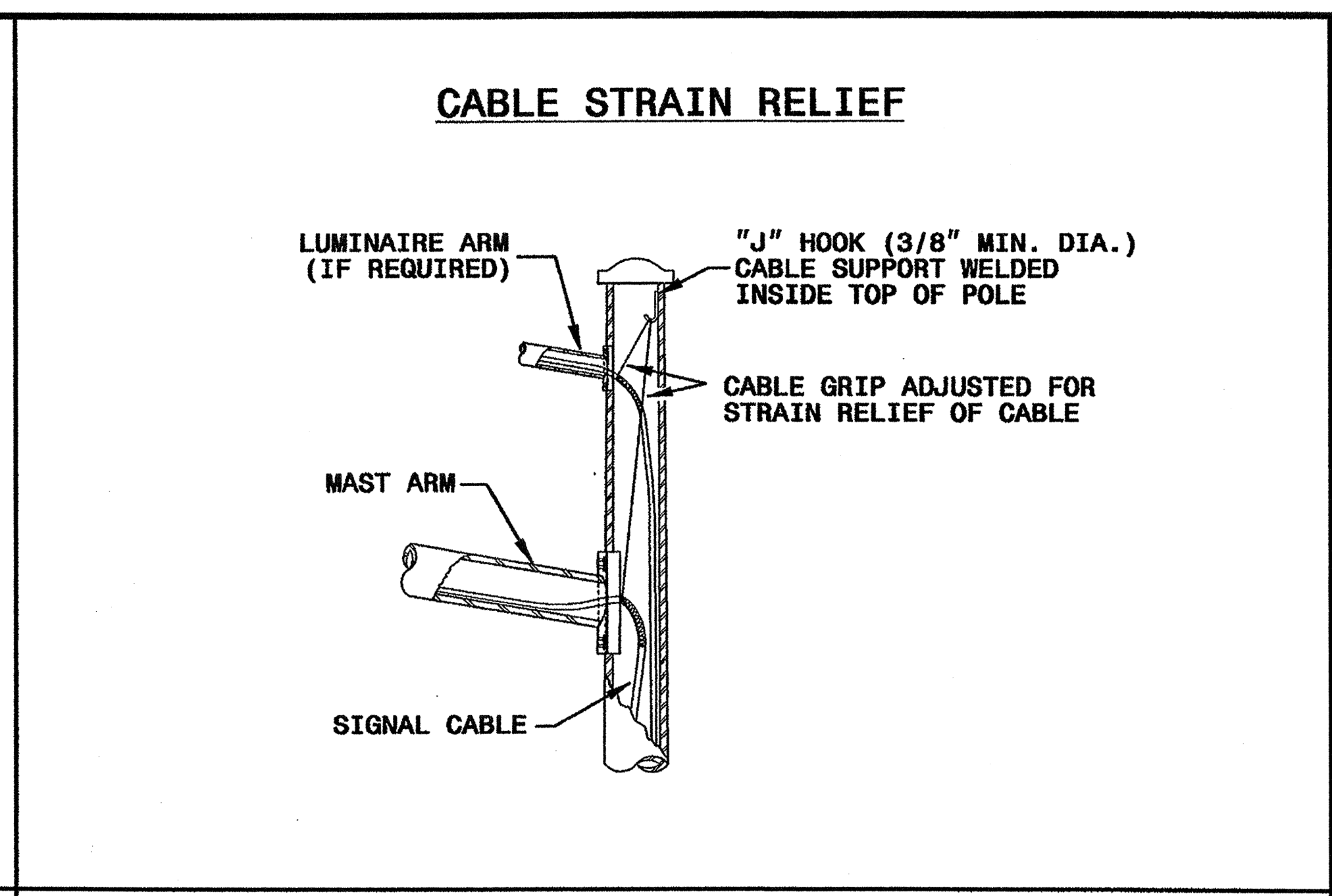
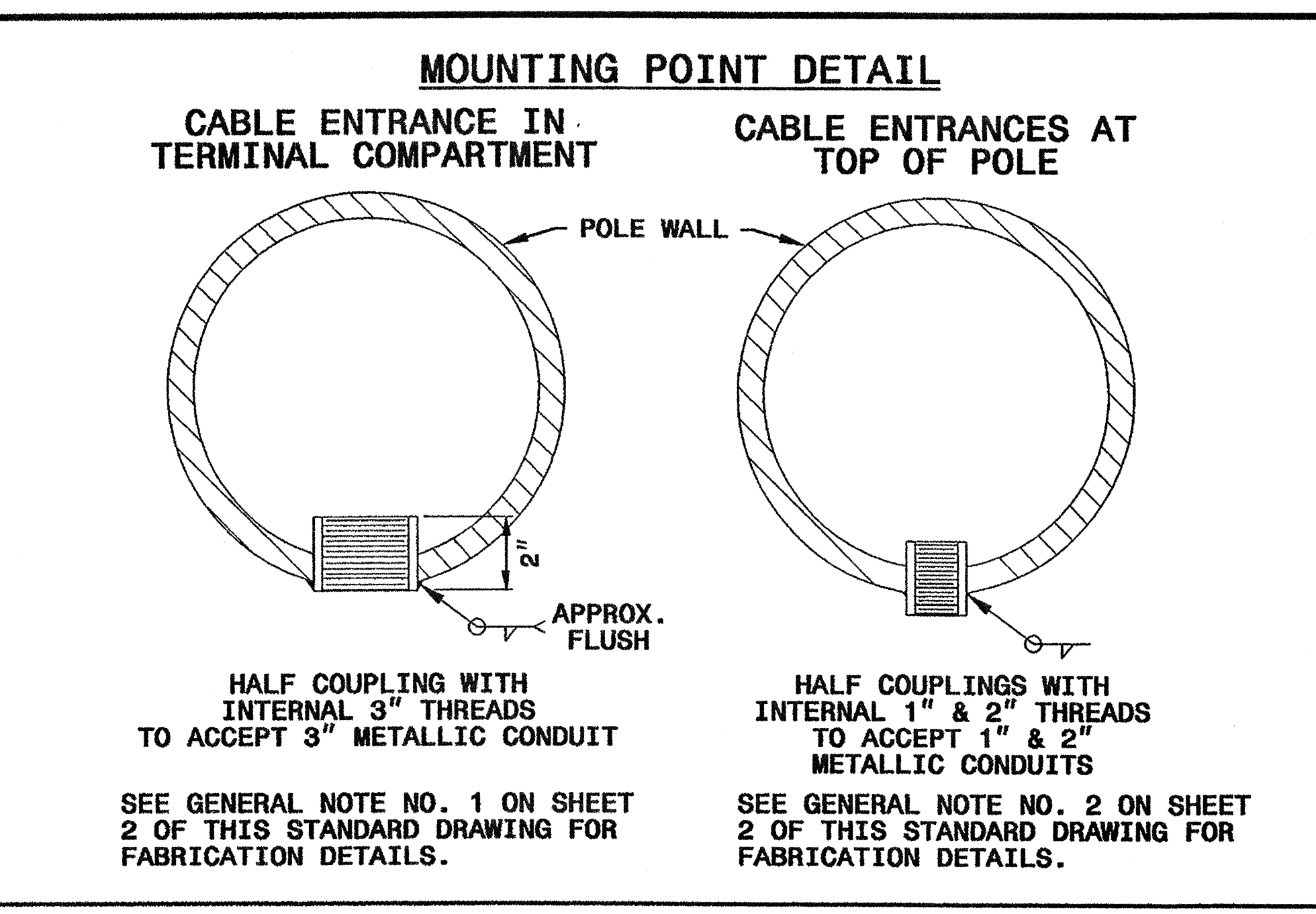
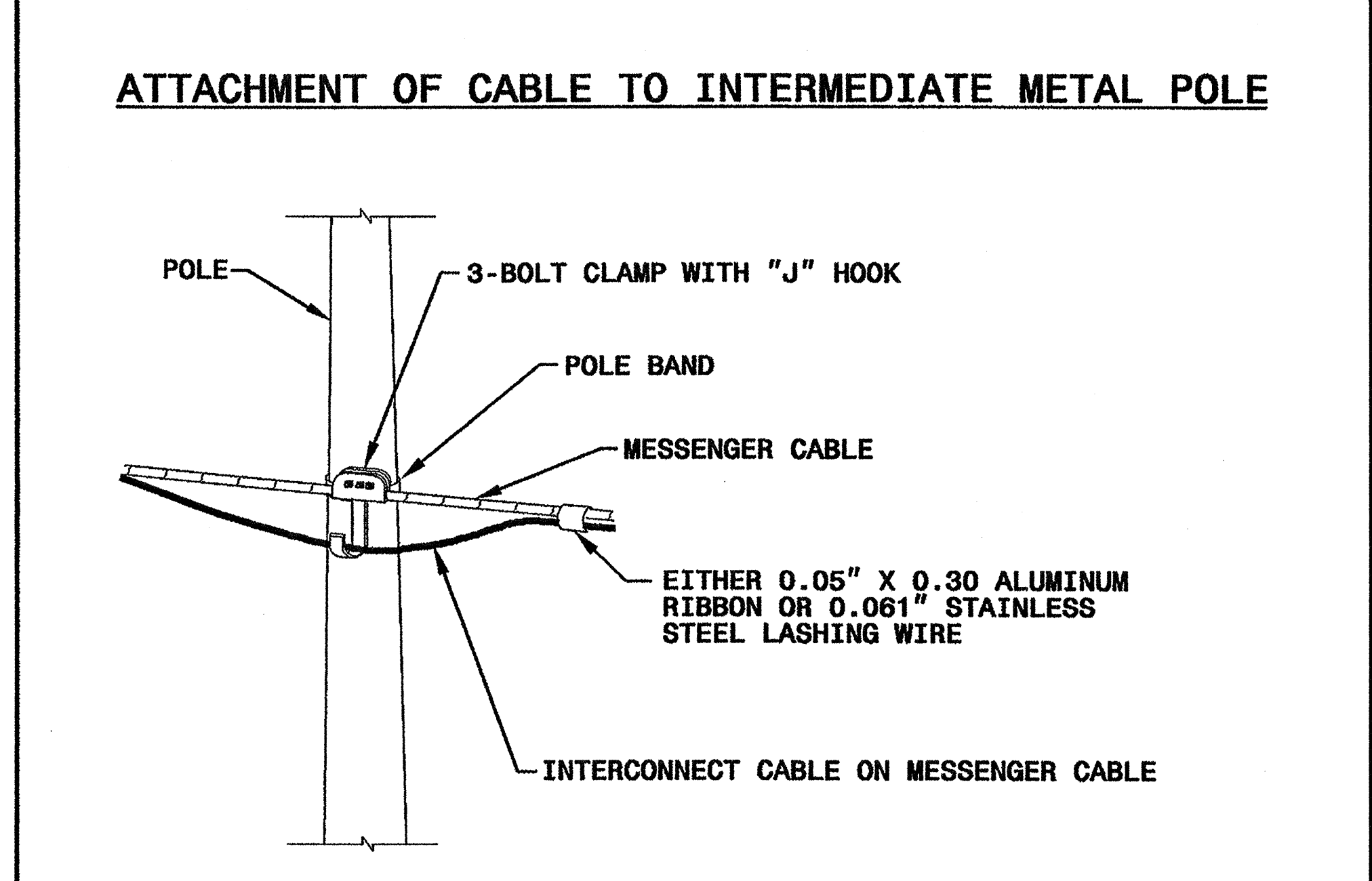
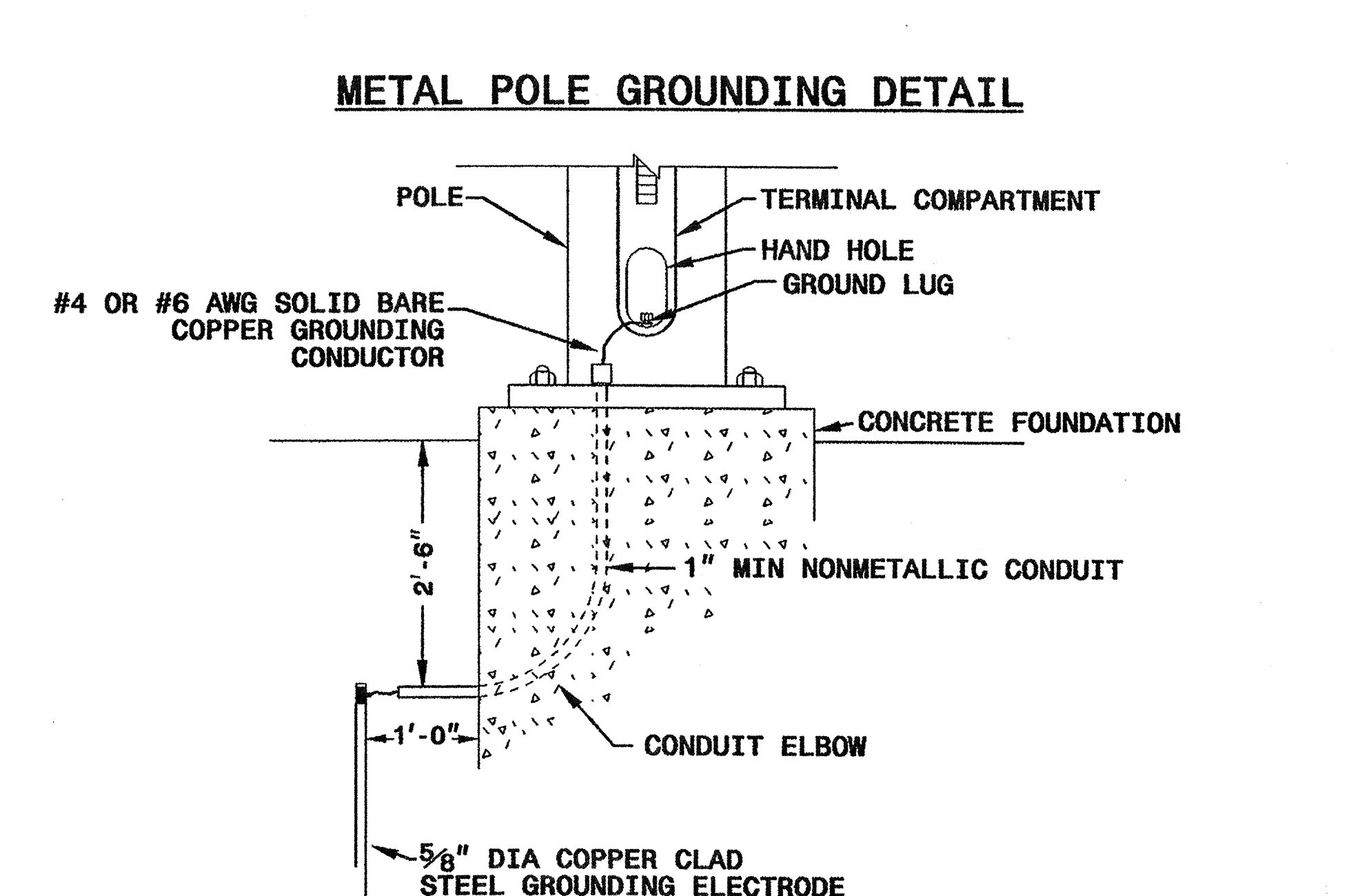


STATE OF NORTH CAROLINA  
 DEPT. OF TRANSPORTATION  
 DIVISION OF HIGHWAYS  
 RALEIGH, N.C.



9-03  
 ENGLISH STANDARD DRAWING FOR  
**METAL POLES**  
 MISCELLANEOUS DETAILS



9-03  
 STATE OF NORTH CAROLINA  
 DEPT. OF TRANSPORTATION  
 DIVISION OF HIGHWAYS  
 RALEIGH, N.C.

ENGLISH STANDARD DRAWING FOR  
**METAL POLES**  
 MISCELLANEOUS DETAILS

SHEET 3 OF 3  
**1740.01**

SHEET 3 OF 3  
**1740.01**

Structural Engineer  <i>D. Sankar</i> 9/19/03 <small>SIGNATURE DATE</small>	Electrical Engineer  <i>Milton Dean</i> 9/22/03 <small>SIGNATURE DATE</small>
<b>Standard Drawings</b> Traffic Management and Signal Systems Unit 122 N. McDowell St., Raleigh, NC 27603	
See Plate for Title	
Original: 2002 Standards	

19-SEP-2003 14:27  
 I:\p001es-un1\hrc\kgr\pousm3\road\vo\c\lander\d\sigstng\11shp\on sheets\17401 second.dgn  
 plotexander