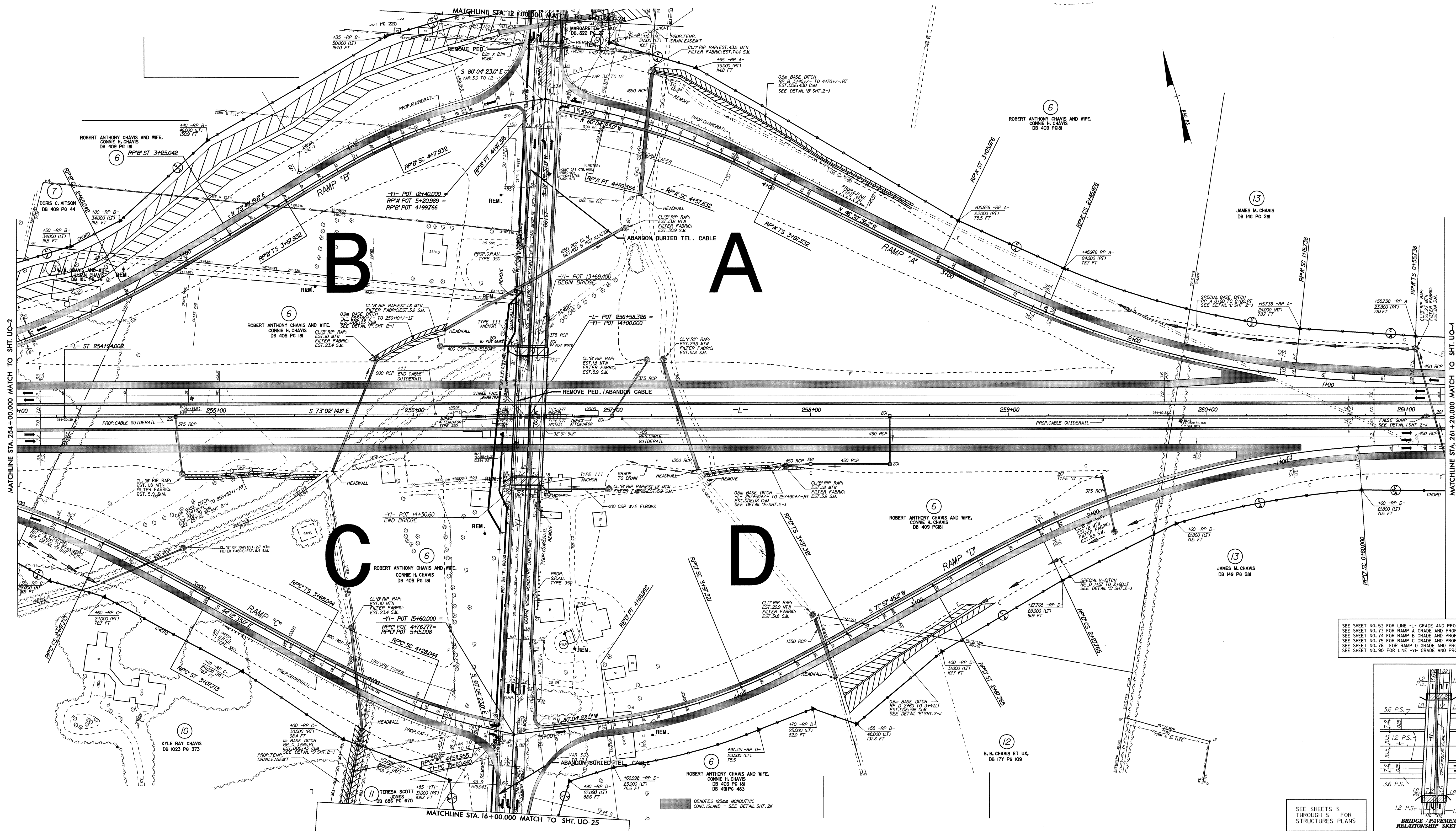
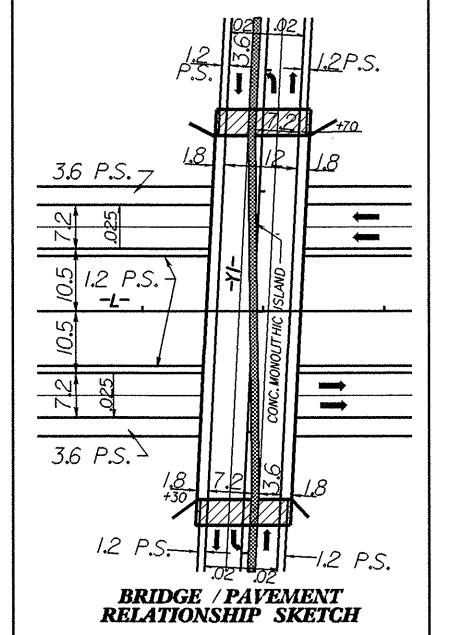


UTILITIES BY OTHERS

NOTE: ALL PROPOSED UTILITY WORK SHOWN ON THIS SHEET WILL BE DONE BY OTHERS



SEE SHEET NO. 53 FOR LINE -L- GRADE AND PROFILE.
SEE SHEET NO. 73 FOR RAMP A GRADE AND PROFILE.
SEE SHEET NO. 74 FOR RAMP B GRADE AND PROFILE.
SEE SHEET NO. 75 FOR RAMP C GRADE AND PROFILE.
SEE SHEET NO. 76 FOR RAMP D GRADE AND PROFILE.
SEE SHEET NO. 90 FOR LINE -YI- GRADE AND PROFILE.



SEE SHEETS S THROUGH S FOR STRUCTURES PLANS

04/15/21
C:\MS-2024_08_24
R:\Utility\513C\513C06.PSH
sgnholdj - AT 08/21/2025 10:00:35 AM