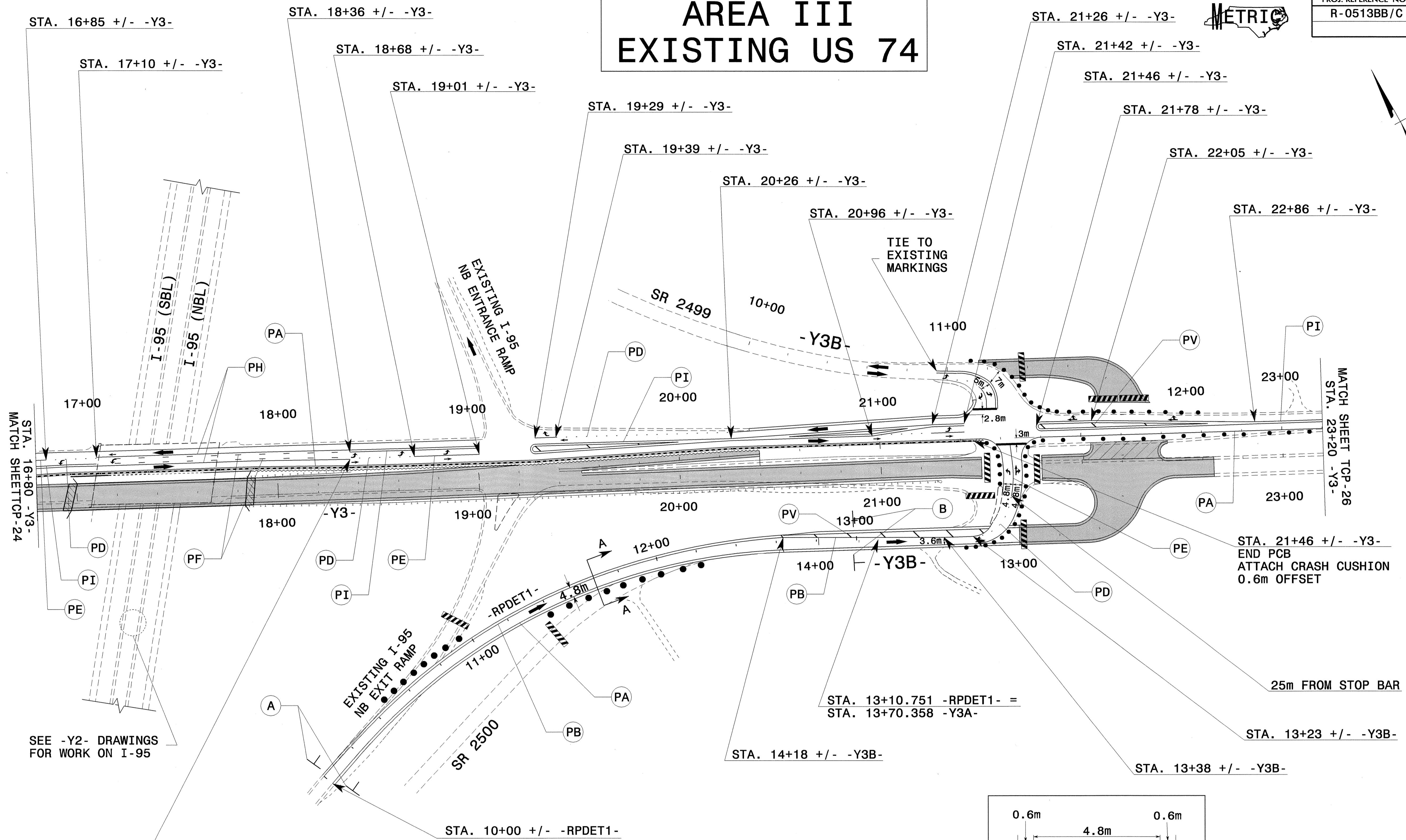


AREA III EXISTING US 74



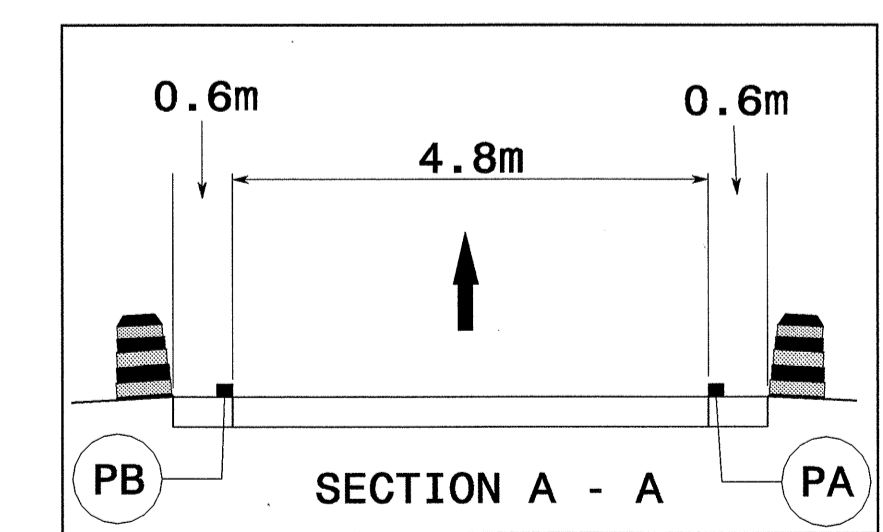
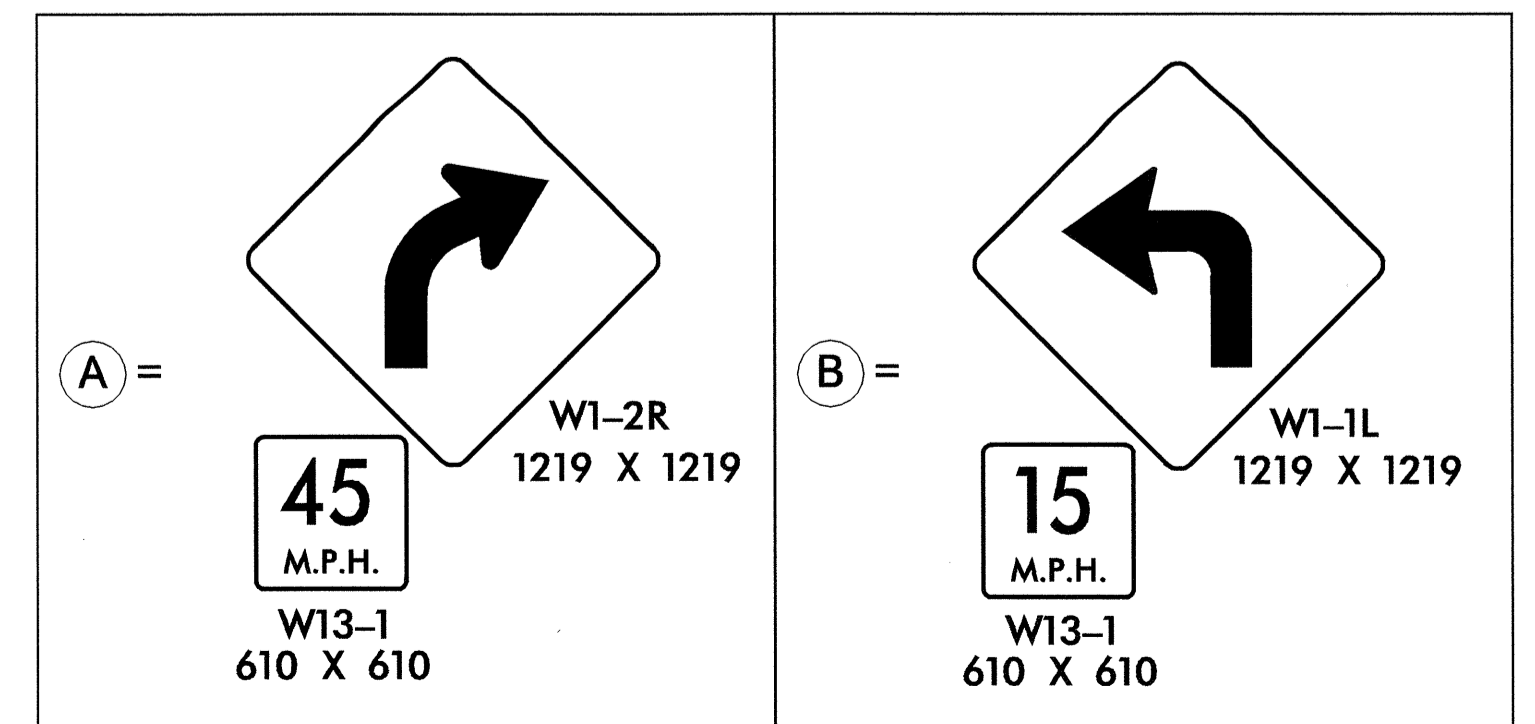
PROJ. REFERENCE NO. R-0513BB/C	SHEET NO. TCP-25
-----------------------------------	---------------------



SEE -Y2- DRAWINGS FOR WORK ON I-95

TRANSITION THE 3.6m LANES TO 3.3m LANES FROM STA. 16+72 +/- -Y3- TO STA. 16+97 +/- -Y3-.
TRANSITION THE 3.3m LANES BACK TO 3.6m LANES FROM STA. 17+88 TO STA. 18+36 +/- -Y3-.

ALL LANES ARE 3.6m WIDE UNLESS OTHERWISE SHOWN



APPROVED: *John S. Kite, Jr.* DATE: 6/25/04

SEAL

**PHASE I
-Y3- CONSTRUCTION
(PAVEMENT MARKING PLACEMENT)**

SCALE: NONE		REVISIONS
DATE: 2-04		
DWG. BY: MHS		
DESIGN BY: MHS		
REVIEWED BY: CLM		

CAD FILE: R513C TC Y3 SH4A.DGN

24-JUN-2004 11:30
 FA TCP\FINAL TCP\513BB\C.TCP025.dgn
 msteelman AT 11/21/03