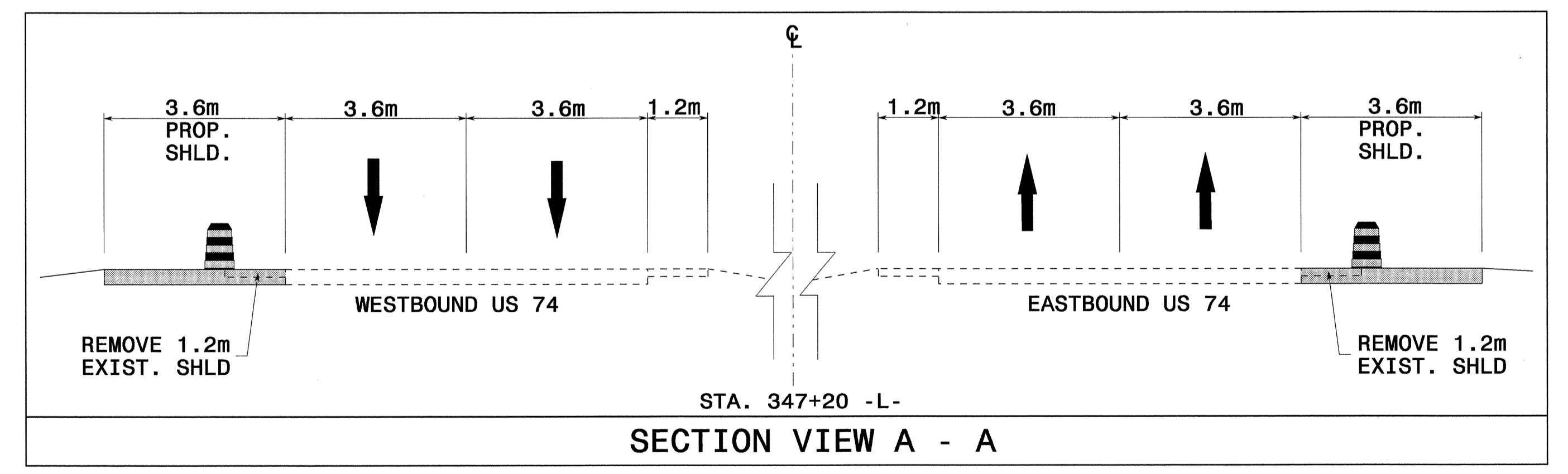
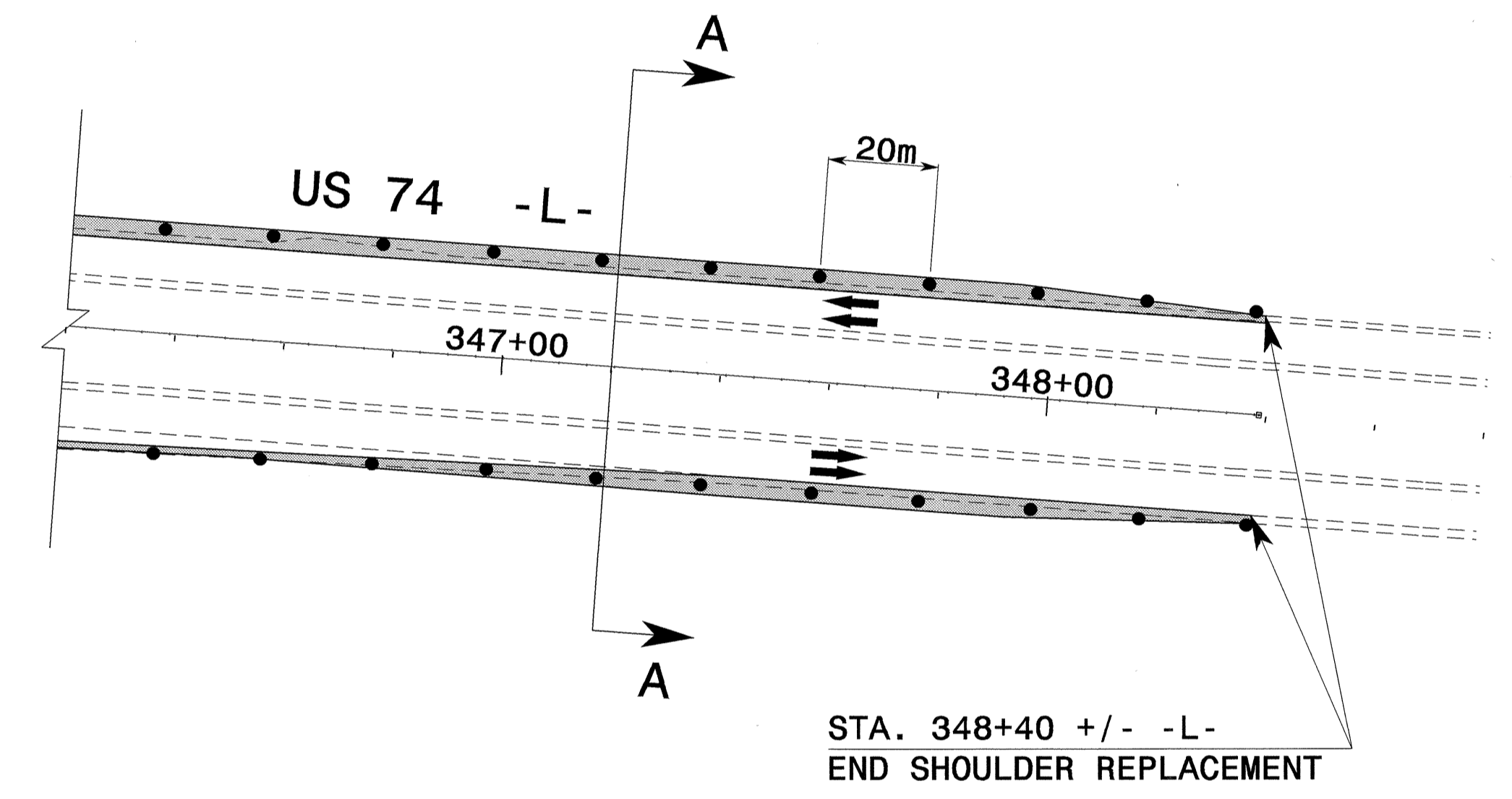
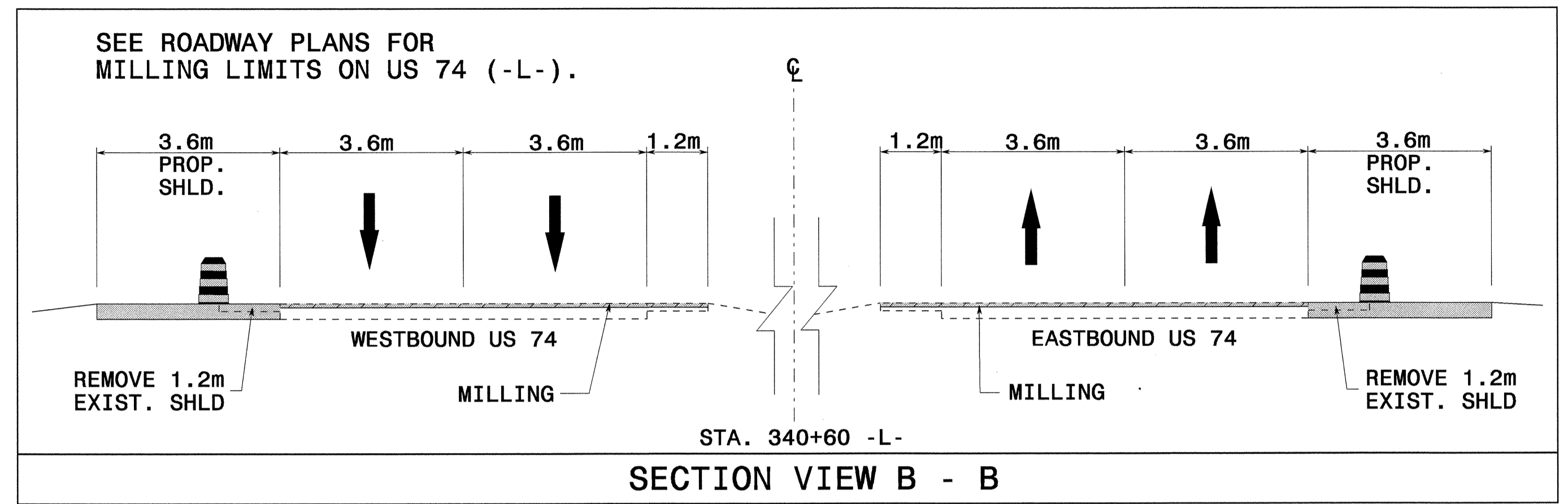
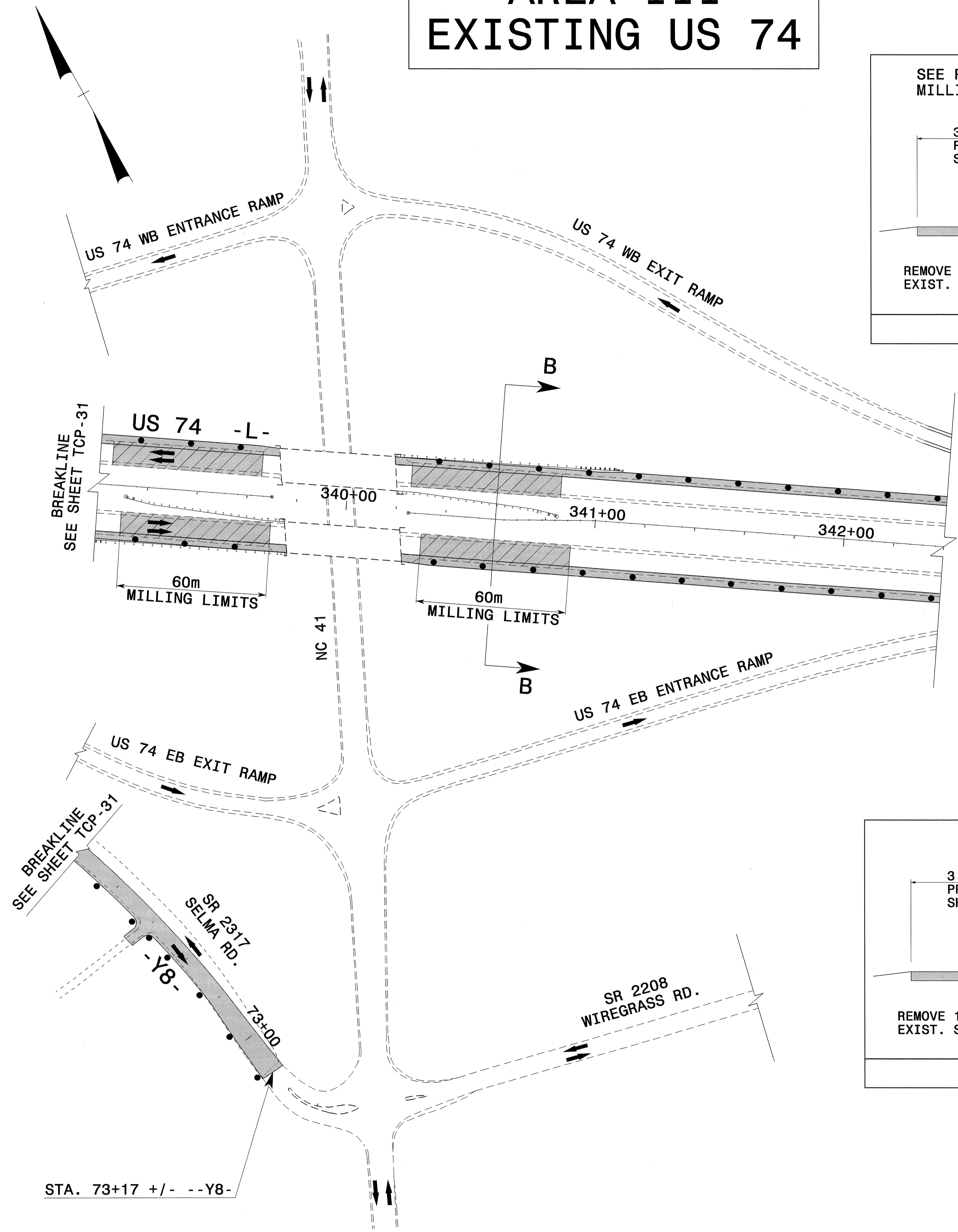


AREA III EXISTING US 74



PROJ. REFERENCE NO. R-0513BB/C	SHEET NO. TCP-32
-----------------------------------	---------------------



24-JUN-2004 11:34
 FA_TCP_FINAL
 msteeleman AT TELCO31

APPROVED: *John S. Kite Jr.* DATE: *6/2/04*

SEAL

PHASE I -L- CONSTRUCTION	
SCALE: NONE	REVISIONS
DATE: 2-04	
DWG. BY: MHS	
DESIGN BY: MHS	
REVIEWED BY: CLM	
<small>CADD FILE: R513C TC LTCP12.DGN</small>	