



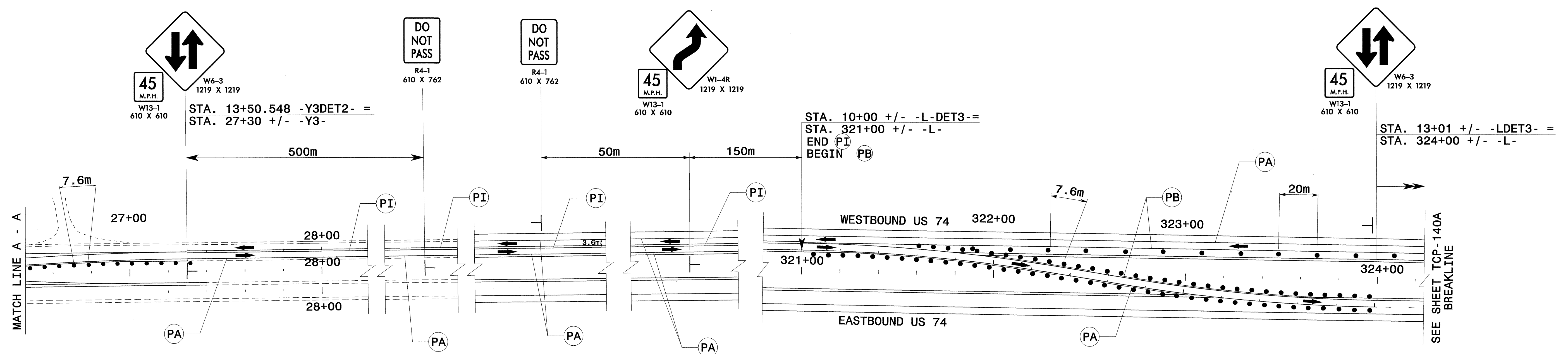
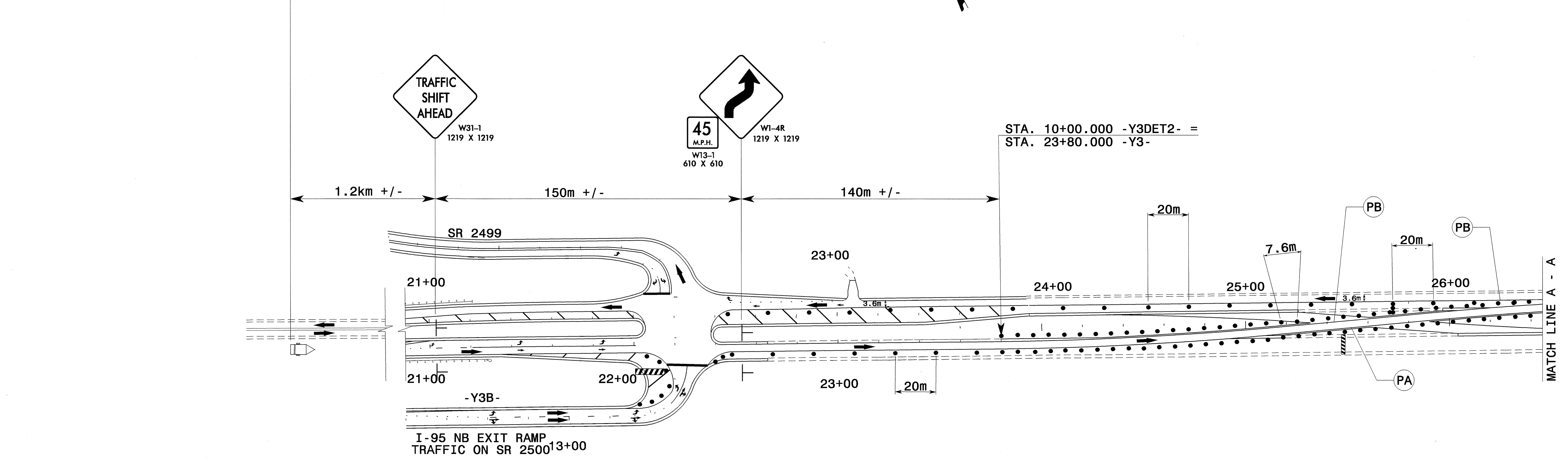
PROJ. REFERENCE NO.	SHEET NO.
R-0513BB/C	TCP-140

SUGGESTED MESSAGE

MESSAGE NO. 1	MESSAGE NO. 2	MESSAGE NO. 3
US 74 TRAFFIC SHIFT	MEDIAN CROSSING	1 MILE AHEAD

CHANGEABLE MESSAGE SIGN

CROSSOVER TRAFFIC CONTROL AND SIGNING IS FOR CROSSOVER SHOWN ON SHEET TCP-125 AND 128



24-JUN-2004 12:28
F:\TCP\FINAL TCP\S\RF13\TC-TCP140.dgn
msteelman AT TEL12531

APPROVED: *[Signature]* DATE: 6/22/04

SEAL

CROSSOVER SIGNING FOR PHASE III (US 74 EB ON CROSSOVER)

SCALE:	NONE		<table border="1"> <tr><th colspan="2">REVISIONS</th></tr> <tr><td> </td><td> </td></tr> <tr><td> </td><td> </td></tr> <tr><td> </td><td> </td></tr> </table>	REVISIONS							
REVISIONS											
DATE:	3-04										
DWG. BY:	MHS										
DESIGN BY:	MHS										
REVIEWED BY:	CLM	CADD FILE									