

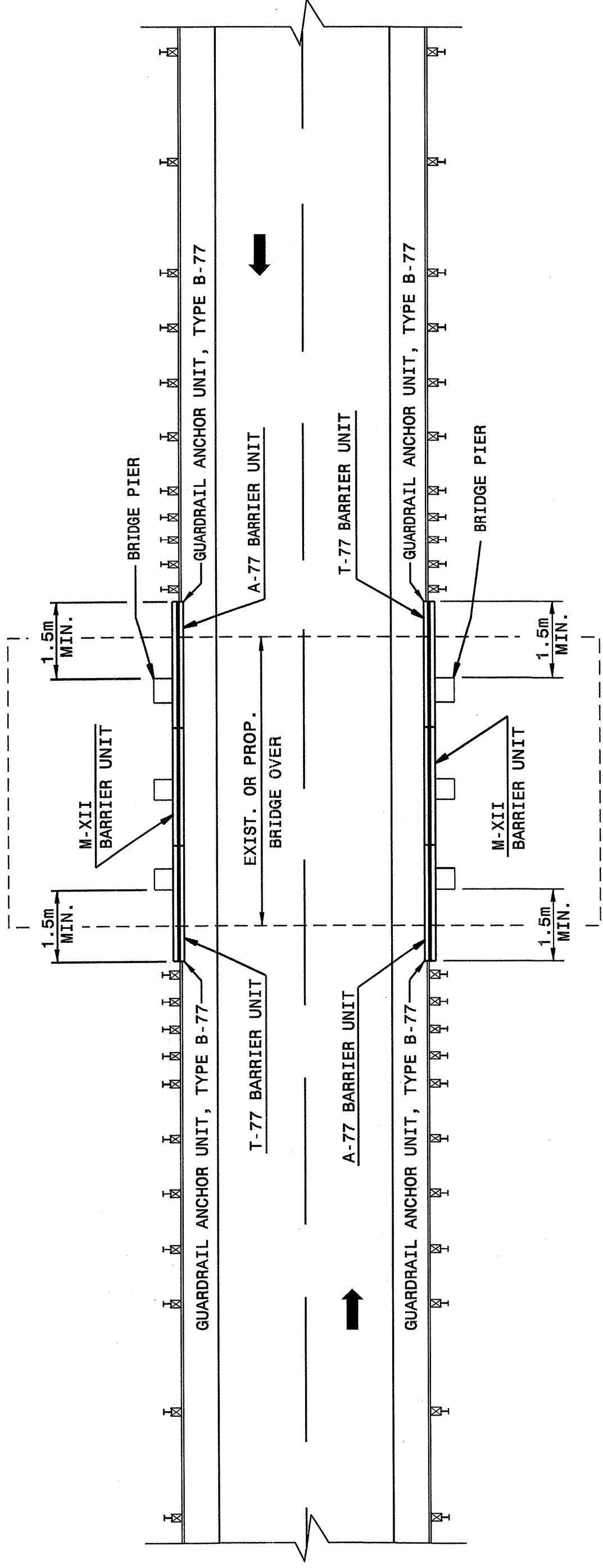


STATE OF NORTH CAROLINA
DEPT. OF TRANSPORTATION
DIVISION OF HIGHWAYS
RALEIGH, N.C.

METRIC DETAIL DRAWING FOR
PRECAST REINFORCED CONCRETE BARRIER
1.0m SINGLE FACED

SHEET 1 OF 8
857D01

NOTE:
1) THIS DRAWING IS NOT INTENDED TO SHOW TYPICAL BARRIER AND GUARDRAIL INSTALLATION.
IT DETAILS POSSIBLE BARRIER AND STRUCTURE ANCHOR COMBINATIONS FOR THIS TYPE FACILITY.
2) USE TRAILING END GUARDRAIL IF WARRANTED



**GUARDRAIL AND BARRIER AT UNDIVIDED
HIGHWAY BRIDGE UNDERPASS**

Note:
This drawing is dimensioned in
millimeters unless otherwise
depicted within the drawing.

STATE OF NORTH CAROLINA
DEPT. OF TRANSPORTATION
DIVISION OF HIGHWAYS
RALEIGH, N.C.

METRIC DETAIL DRAWING FOR
PRECAST REINFORCED CONCRETE BARRIER
1.0m SINGLE FACED

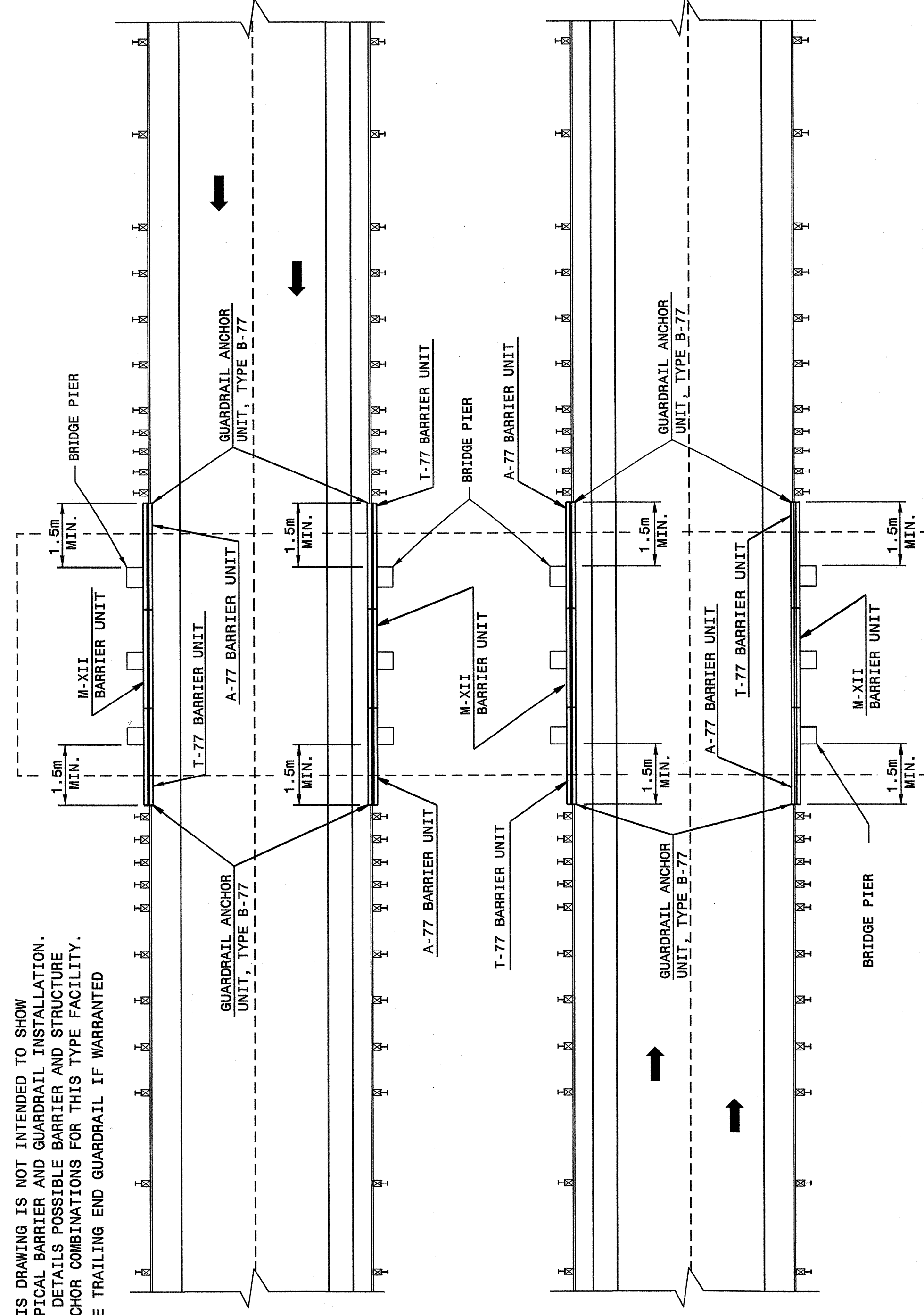
SHEET 1 OF 8
857D01

STATE OF NORTH CAROLINA
DEPT. OF TRANSPORTATION
DIVISION OF HIGHWAYS
RALEIGH, N.C.

METRIC DETAIL DRAWING FOR
PRECAST REINFORCED CONCRETE BARRIER
1.0m SINGLE FACED

SHEET 2 OF 8
857D01

NOTE:
1) THIS DRAWING IS NOT INTENDED TO SHOW
TYPICAL BARRIER AND GUARDRAIL INSTALLATION.
IT DETAILS POSSIBLE BARRIER AND STRUCTURE
ANCHOR COMBINATIONS FOR THIS TYPE FACILITY.
2) USE TRAILING END GUARDRAIL IF WARRANTED



Note:
This drawing is dimensioned in
millimeters unless otherwise
depicted within the drawing.

**GUARDRAIL AND BARRIER AT DIVIDED
HIGHWAY BRIDGE UNDERPASS**

STATE OF NORTH CAROLINA
DEPT. OF TRANSPORTATION
DIVISION OF HIGHWAYS
RALEIGH, N.C.

METRIC DETAIL DRAWING FOR
PRECAST REINFORCED CONCRETE BARRIER
1.0m SINGLE FACED

SHEET 2 OF 8
857D01

DESIGN SERVICES UNIT
STANDARDS AND SPECIAL DESIGN
Office 919-250-4128 FAX 919-250-4119

SEE PLATE FOR TITLE

ORIGINAL BY: 2002 STD.857.01 DATE:
MODIFIED BY: E.E. WARD DATE: 7-11-02
CHECKED BY: *[Signature]* DATE:
FILE SPEC.: /usr/stds/02t00etail/metric/85701/857d01m.dgn

