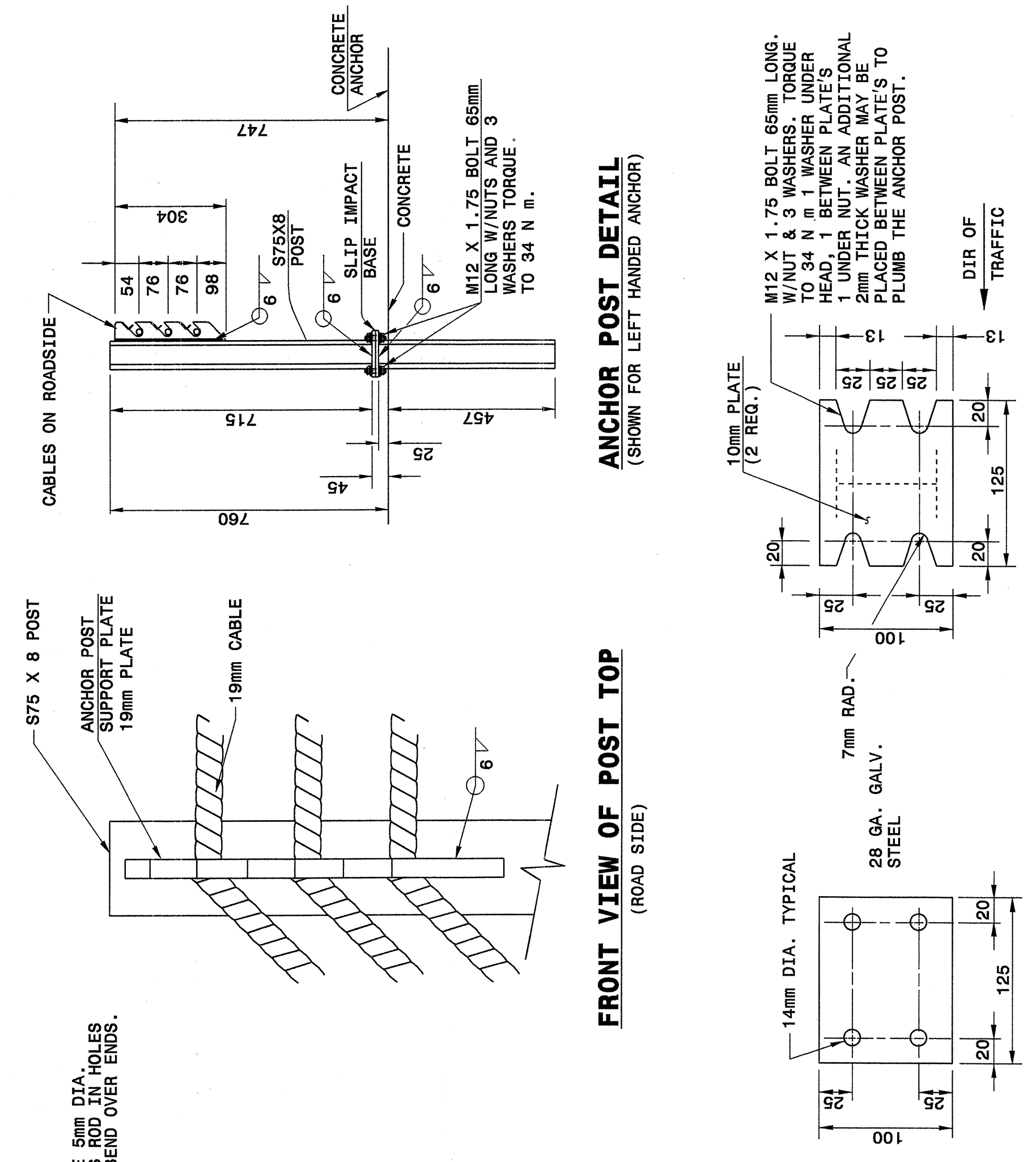




STATE OF NORTH CAROLINA
DEPT. OF TRANSPORTATION
RALEIGH, N.C.

METRIC DETAIL DRAWING FOR
CABLE GUIDERAIL ANCHOR POST DETAILS

SHEET 7 OF 11
865D01



Note:
This drawing is dimensioned in millimeters unless otherwise depicted within the drawing.

STATE OF NORTH CAROLINA
DEPT. OF TRANSPORTATION
DIVISION OF HIGHWAYS
RALEIGH, N.C.

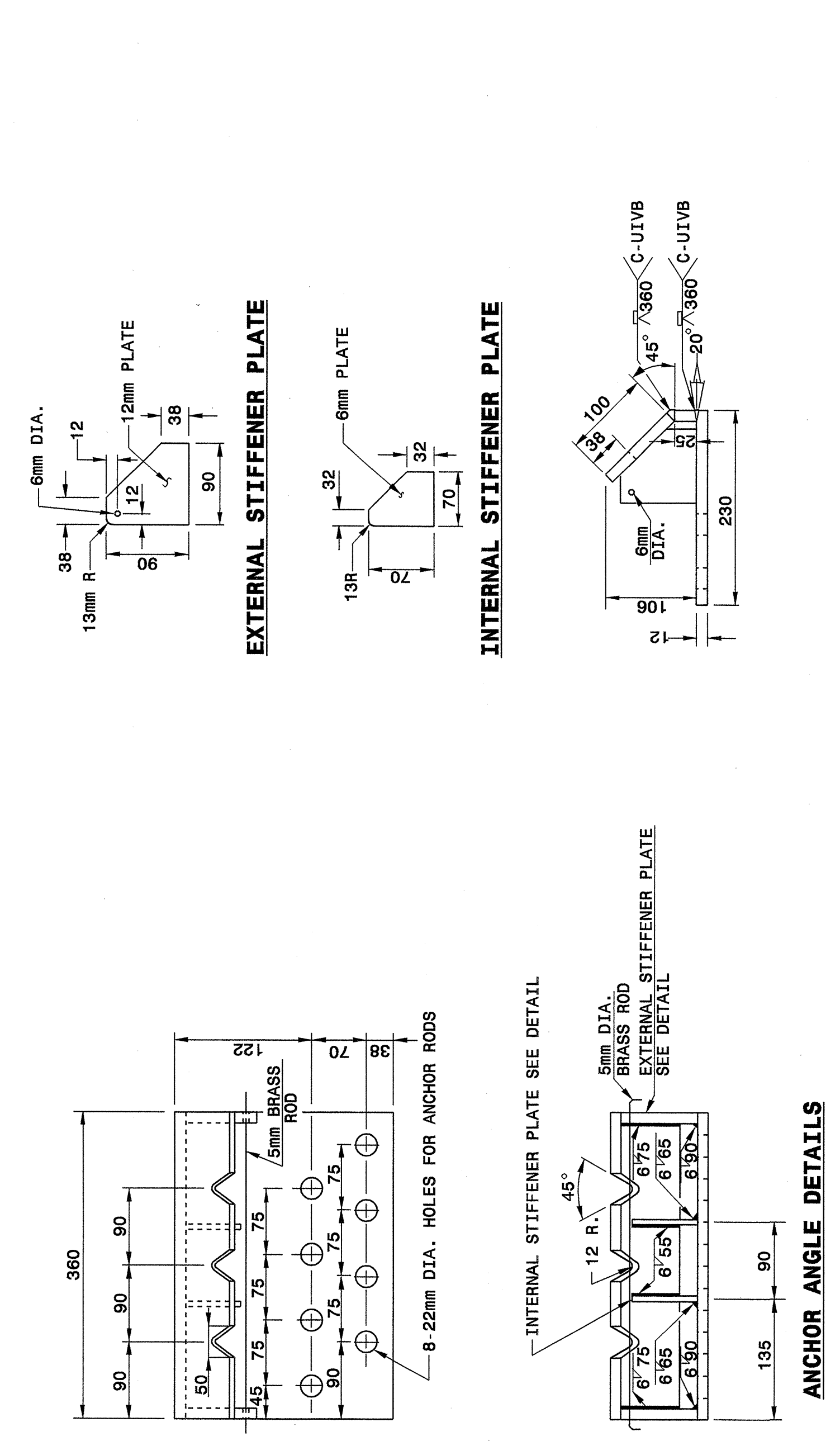
METRIC DETAIL DRAWING FOR
CABLE GUIDERAIL ANCHOR POST DETAILS

SHEET 7 OF 11
865D01

STATE OF NORTH CAROLINA
DEPT. OF TRANSPORTATION
RALEIGH, N.C.

METRIC DETAIL DRAWING FOR
SINGLE FACE POST DETAILS

SHEET 8 OF 11
865D01



Note:
This drawing is dimensioned in millimeters unless otherwise depicted within the drawing.

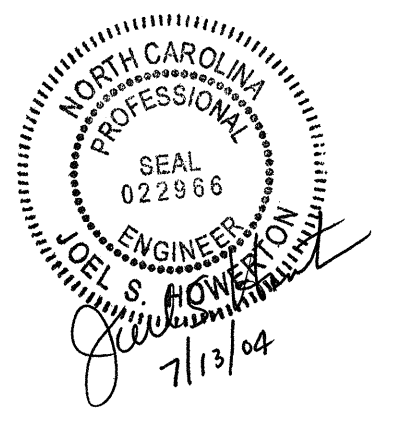
STATE OF NORTH CAROLINA
DEPT. OF TRANSPORTATION
DIVISION OF HIGHWAYS
RALEIGH, N.C.

METRIC DETAIL DRAWING FOR
CABLE GUIDERAIL SINGLE FACE POST DETAILS

SHEET 8 OF 11
865D01

NOTE: SUBMIT ALTERNATE METHODS OF FABRICATING ANCHOR ANGLES FOR APPROVAL.

BREAKAWAY ANCHOR ANGLE



DESIGN SERVICES UNIT
STANDARDS AND SPECIAL DESIGN
Office 919-250-4128 FAX 919-250-4119

SEE PLATE FOR TITLE

ORIGINAL BY: 2002 STANDARDS DATE: 1-15-02
MODIFIED BY: E.E. WARD DATE: 6-17-02
CHECKED BY: *[Signature]* DATE: 6-02
FILE SPEC.: /usr/std/02stds to details/metric/86501/0865d01.dgn

18-JUN-2002 14:09 W:\Special Details\Standard\stds\02\Std to Special Details\metric\86501\0865d01.m.dgn ericward AT DS168666