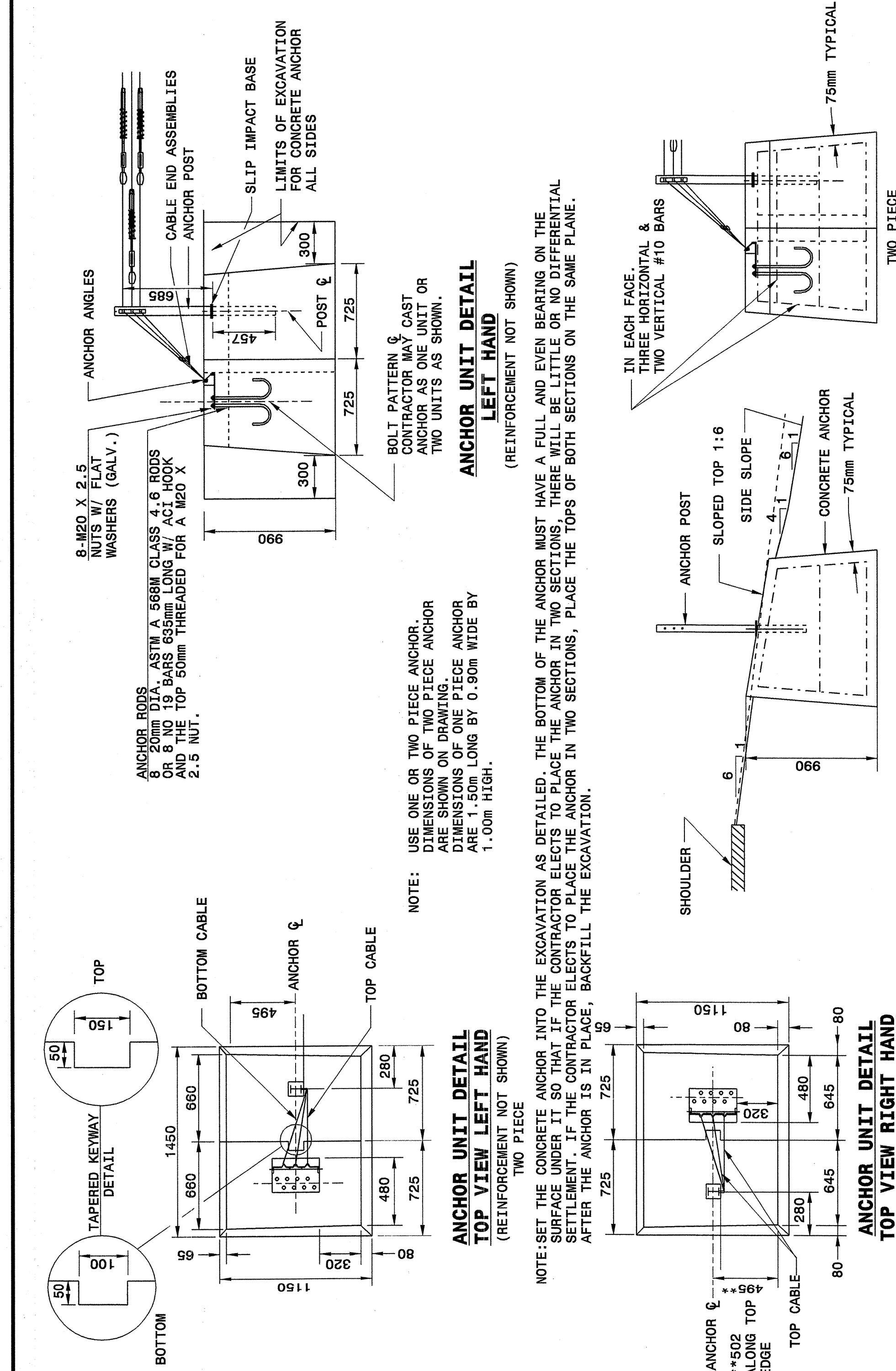




STATE OF NORTH CAROLINA
DEPT. OF TRANSPORTATION
DIVISION OF HIGHWAYS
RALEIGH, N.C.

METRIC DETAIL DRAWING FOR
CABLE GUIDERAIL
ANCHOR DETAILS

SHEET 9 OF 11
865D01



STATE OF NORTH CAROLINA
DEPT. OF TRANSPORTATION
DIVISION OF HIGHWAYS
RALEIGH, N.C.

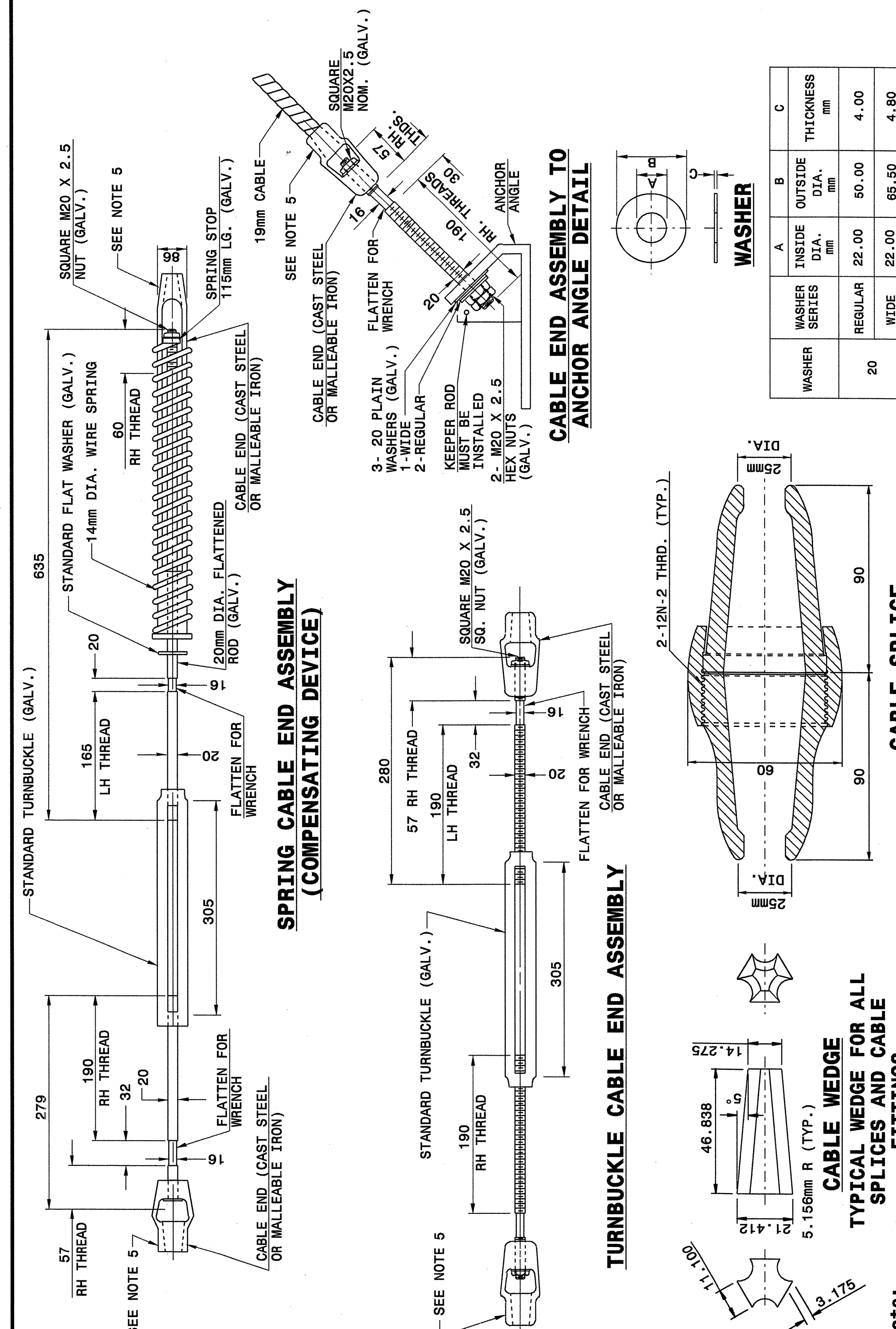
METRIC DETAIL DRAWING FOR
CABLE GUIDERAIL
ANCHOR DETAILS

SHEET 9 OF 11
865D01

STATE OF NORTH CAROLINA
DEPT. OF TRANSPORTATION
DIVISION OF HIGHWAYS
RALEIGH, N.C.

METRIC DETAIL DRAWING FOR
CABLE GUIDERAIL
ANCHOR DETAILS

SHEET 10 OF 11
865D01



STATE OF NORTH CAROLINA
DEPT. OF TRANSPORTATION
DIVISION OF HIGHWAYS
RALEIGH, N.C.

METRIC DETAIL DRAWING FOR
CABLE GUIDERAIL
ANCHOR DETAILS

SHEET 10 OF 11
865D01

18-JUN-2002 14:09 W:\Special Details\standard\stds\02\stds to Special Details\metric\86501\0865d01m.dgn
 ericward AT US186660

DESIGN SERVICES UNIT
STANDARDS AND SPECIAL DESIGN
Office 919-250-4128 FAX 919-250-4119

SEE PLATE FOR TITLE

ORIGINAL BY: 2002 STANDARDS DATE: 1-15-02
 MODIFIED BY: E.E. WARD DATE: 6-17-02
 CHECKED BY: *E. E. Ward* DATE: 6-02
 FILE SPEC.: /usr/std/02stds to details/metric/86501/0865d01.dgn

