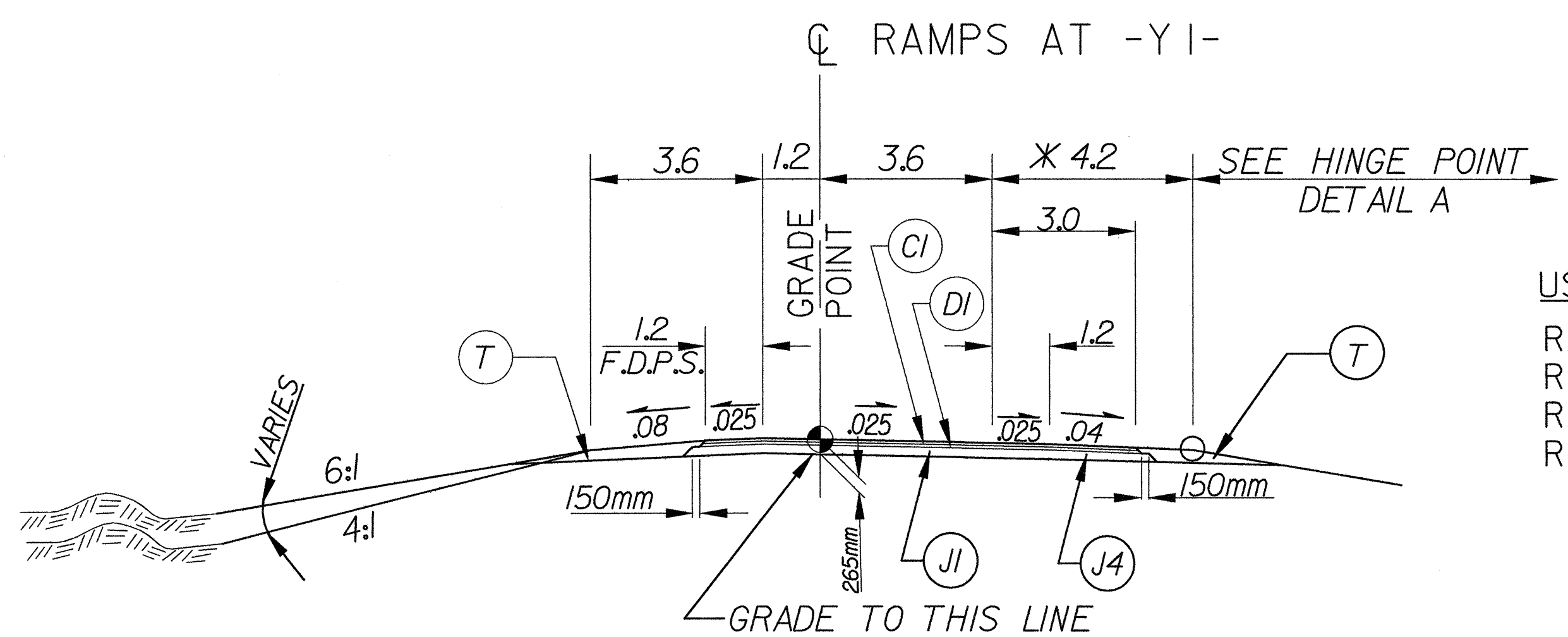


* ADD 1.0m WHEN USING GUARDRAIL

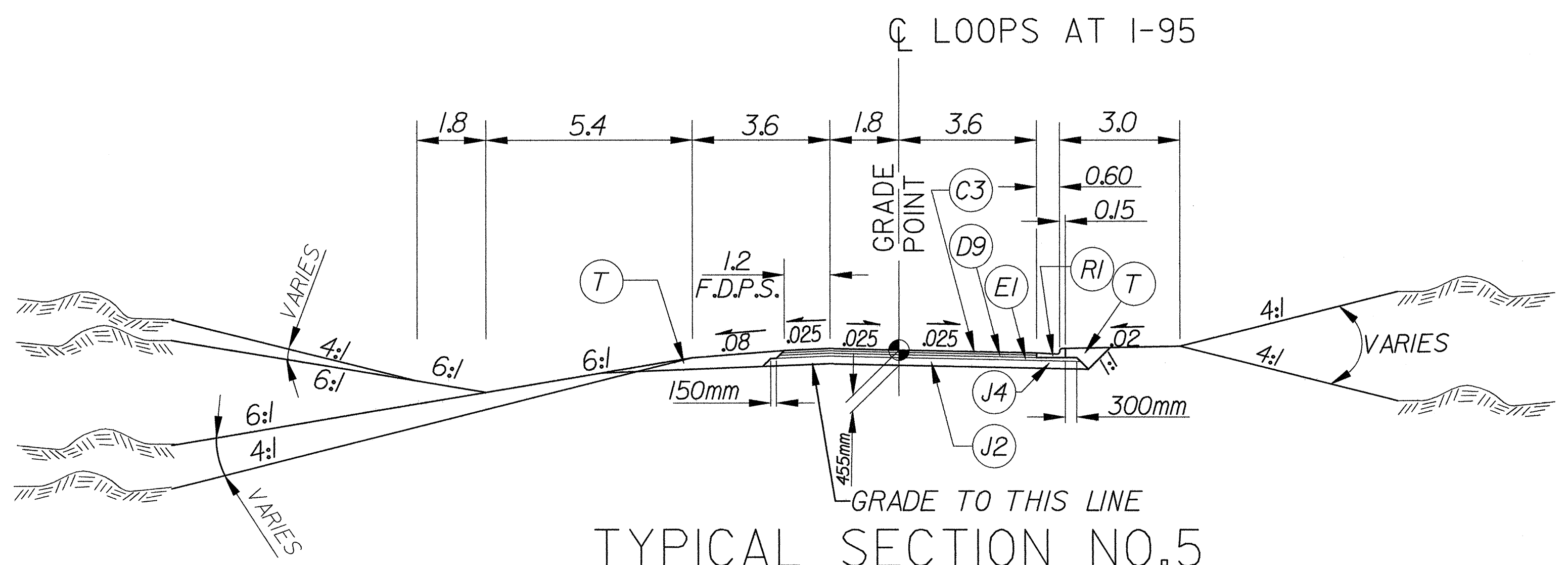


PROJECT REFERENCE NO. R-513C	SHEET NO. 2-B
ROADWAY DESIGN ENGINEER CHARLES LEE FLOWERS	PAVEMENT DESIGN ENGINEER CLARK S. MORRISON
TGS ENGINEERS 975 WALNUT STREET, SUITE 141 CARY, NC 27511 PH (919) 319-8850	



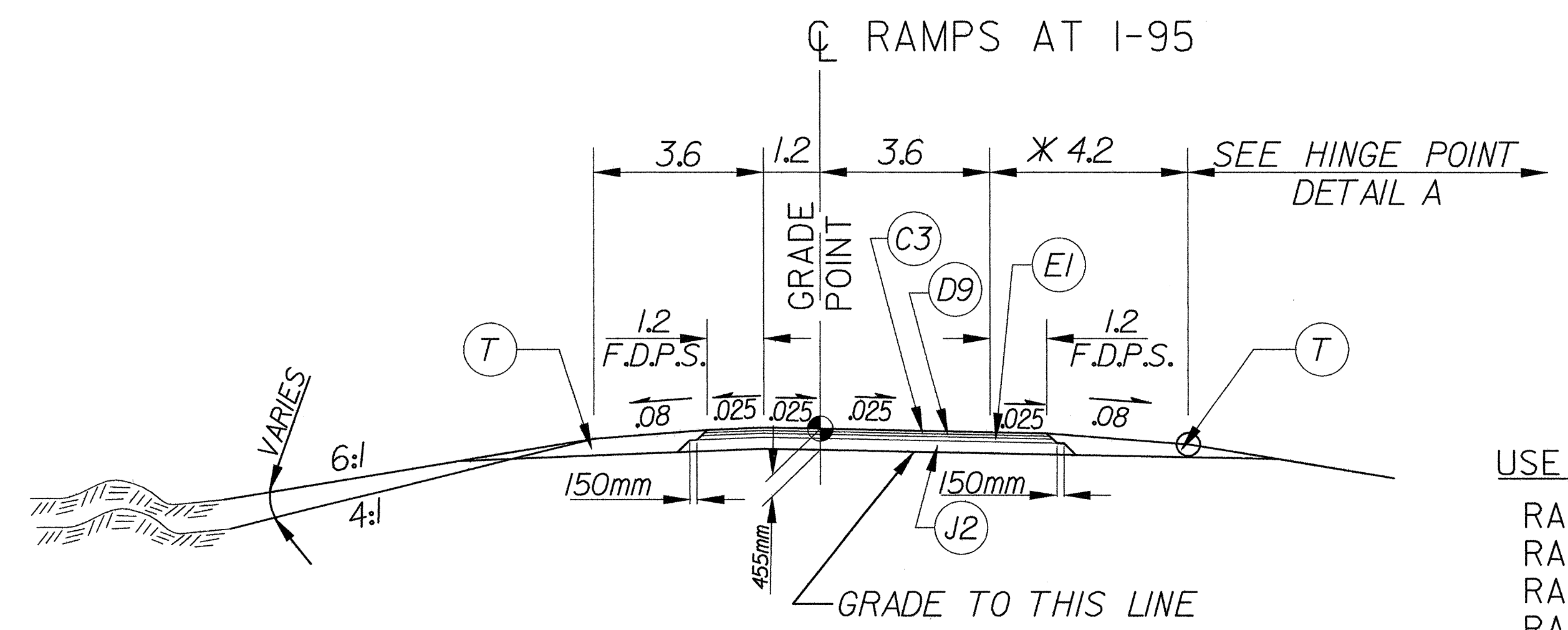
TYPICAL SECTION NO.4

USE TYPICAL SECTION NO. 4 FOR:
 RAMP "A" @ -YI- STA. 1+26 TO STA. 5+14.006
 RAMP "B" @ -YI- STA. 1+20.500 TO STA. 4+92.872
 RAMP "C" @ -YI- STA. 0+97.500 TO STA. 4+69.075
 RAMP "D" @ -YI- STA. 0+89 TO STA. 5+01.696



TYPICAL SECTION NO.5

USE TYPICAL SECTION NO. 5 FOR:
 LOOP "A" @ I-95 STA. 0+66 TO STA. 4+91
 LOOP "B" @ I-95 STA. 0+80 TO STA. 6+25
 LOOP "C" @ I-95 STA. 0+63.500 TO STA. 4+11
 LOOP "D" @ I-95 STA. 0+80 TO STA. 6+42



TYPICAL SECTION NO.6

USE TYPICAL SECTION NO. 6 FOR:
 RAMP "A" @ I-95 STA. 1+02.500 TO STA. 7+66
 RAMP "B" @ I-95 STA. 0+92 TO STA. 9+57.500
 RAMP "C" @ I-95 STA. 1+43.500 TO STA. 6+22.500
 RAMP "D" @ I-95 STA. 0+92.500 TO STA. 9+98.500

PAVEMENT SCHEDULE	
CODE	DESCRIPTION
C1	60mm ASPH. CONC. SURFACE COURSE, TYPE S9.5B
C3	70mm ASPH. CONC. SURFACE COURSE, TYPE S12.5C
D1	55mm ASPH. CONC. INTERMEDIATE COURSE, TYPE I19.0B
D9	110mm ASPH. CONC. INTERMEDIATE COURSE, TYPE I19.0C
E1	75mm ASPH. CONC. BASE COURSE, TYPE B25.0C
J1	150mm AGGREGATE BASE COURSE
J2	200mm AGGREGATE BASE COURSE
J4	VAR. DEPTH AGGREGATE BASE COURSE
R1	750mm CONC. CURB & GUTTER
T	EARTH MATERIAL

NOTE:
 1. ALL PAVEMENT EDGE SLOPES ARE 1:1 UNLESS SHOWN OTHERWISE
 2. SEE SHEET NO. 2 FOR DETAILED PAVEMENT SCHEDULE
 3. SEE SHEET NO. 2 FOR HINGE POINT DETAIL A

6/16/04
 TGS ENGINEERS
 975 WALNUT STREET, SUITE 141
 CARY, NC 27511
 PH (919) 319-8850