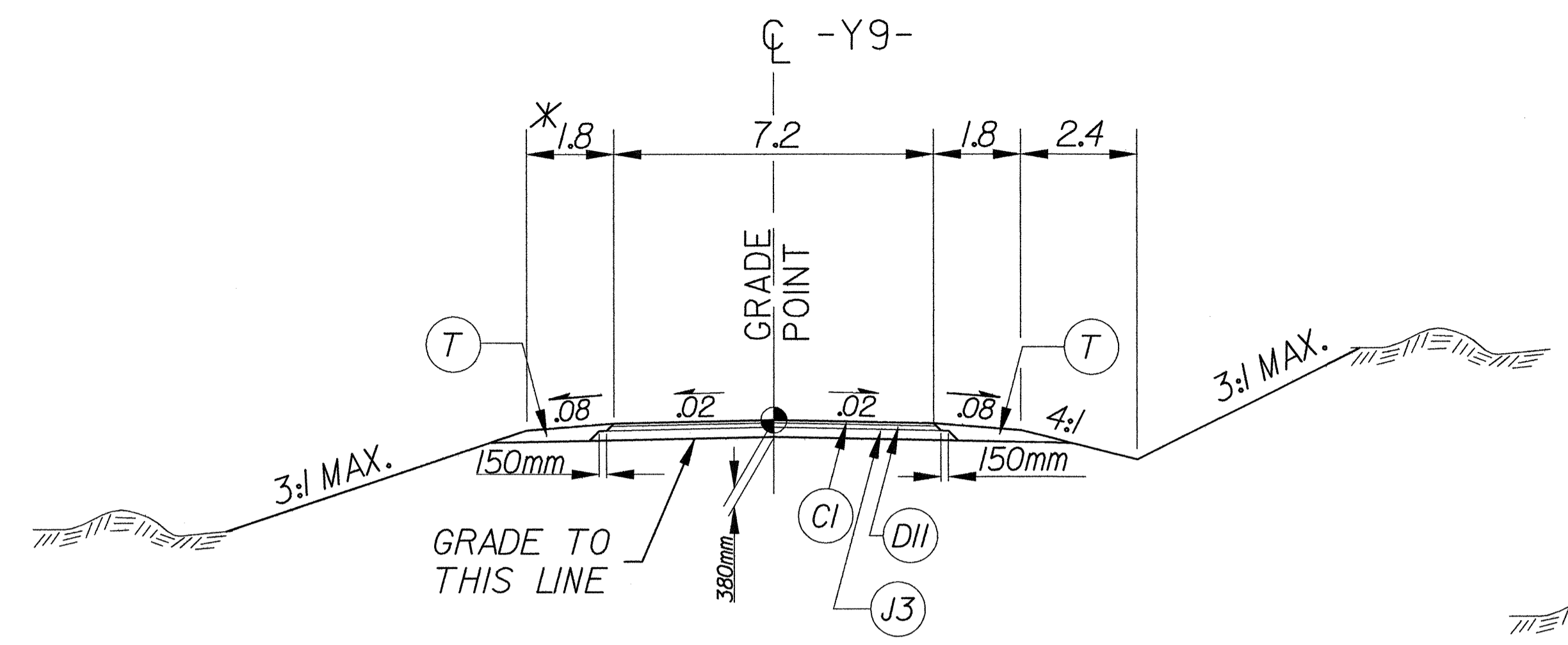




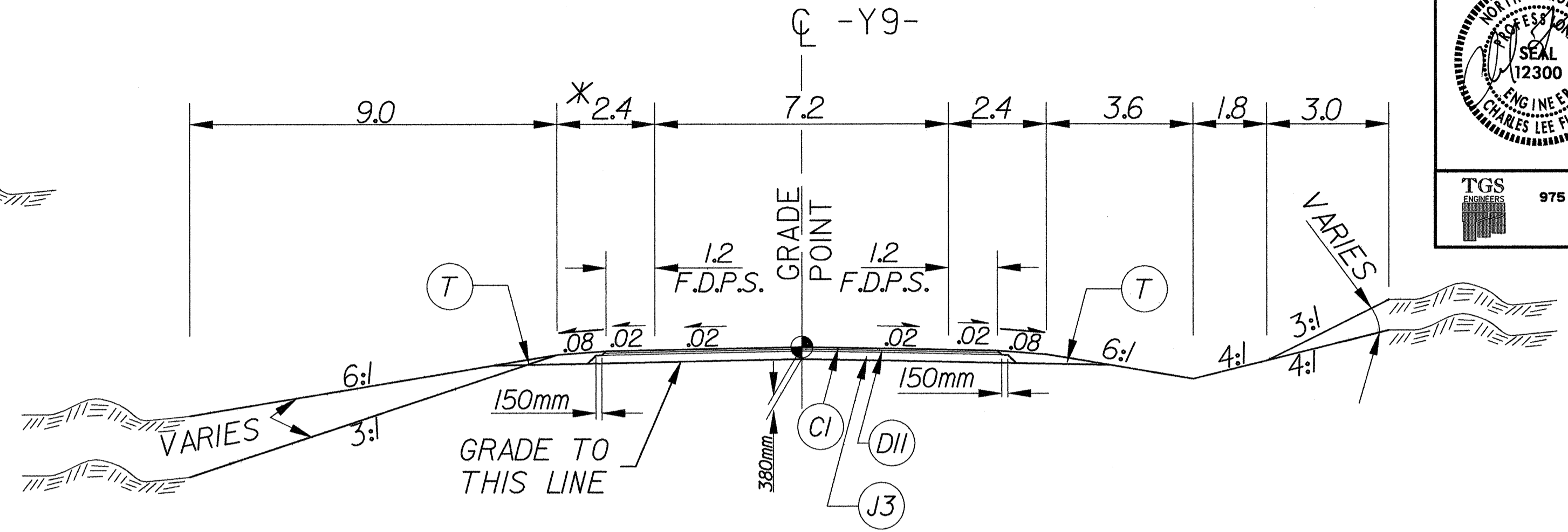
PROJECT REFERENCE NO. R-513C	SHEET NO. 2-1
ROADWAY DESIGN ENGINEER	PAVEMENT DESIGN ENGINEER
TGS ENGINEERS 975 WALNUT STREET, SUITE 141 CARY, NC 27511 PH (919) 319-8850	TGS ENGINEERS 975 WALNUT STREET, SUITE 141 CARY, NC 27511 PH (919) 319-8850

* ADD 1.0m WHEN USING GUARDRAIL



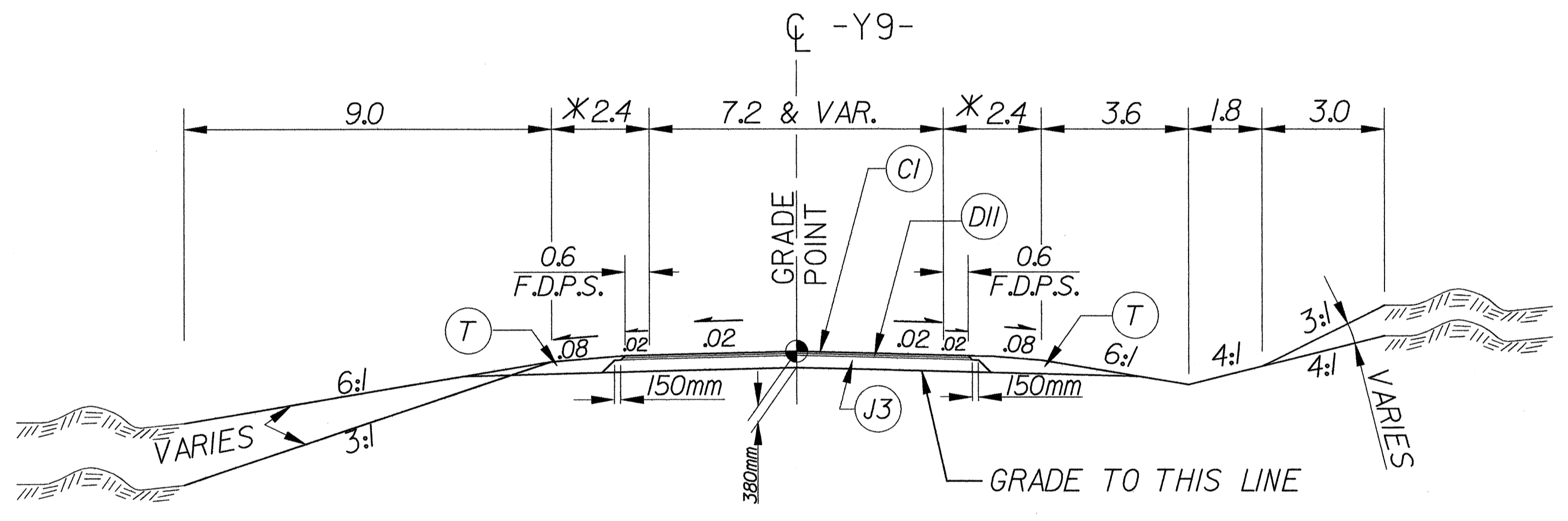
TYPICAL SECTION NO. 22

USE TYPICAL SECTION NO. 22 FOR:
LINE -Y9- STA. 1+20.000 TO STA. 3+27.913



TYPICAL SECTION NO. 23

LINE -Y9- STA. 3+49.552 TO STA. 6+00.000
LINE -Y9- STA. 9+70.000 TO STA. 24+96.554

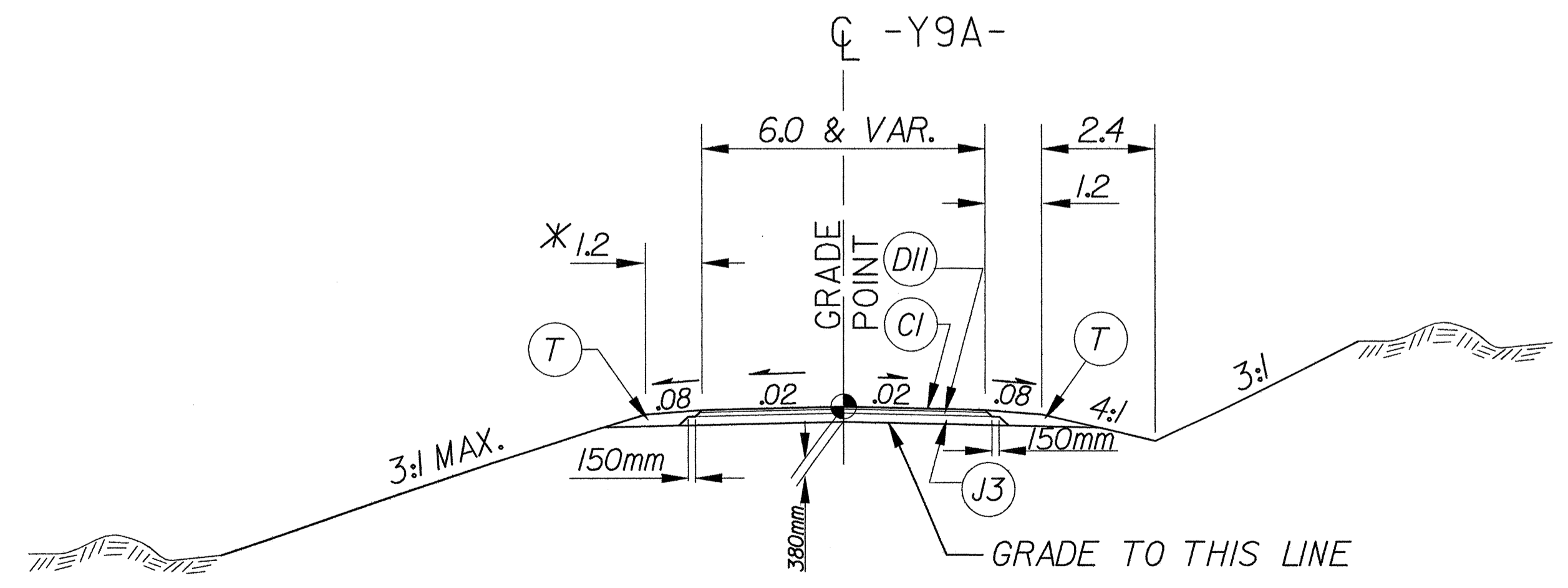


TYPICAL SECTION NO. 24

USE TYPICAL SECTION NO. 24 FOR:
LINE -Y9- STA. 25+03.892 TO STA. 30+80.000

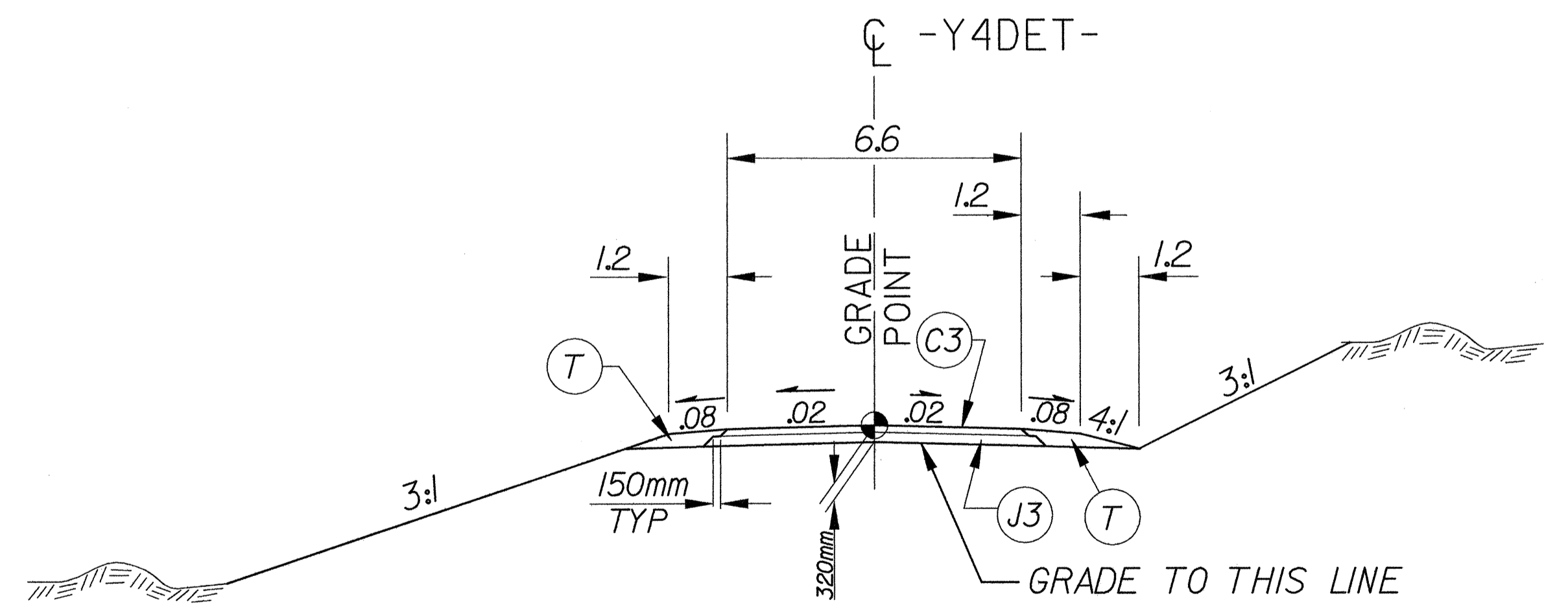
PAVEMENT SCHEDULE	
CODE	DESCRIPTION
C1	60mm ASPH. CONC. SURFACE COURSE, TYPE S9.5B
C3	70mm ASPH. CONC. SURFACE COURSE, TYPE S12.5C
D11	70mm ASPH. CONC. INTERMEDIATE COURSE, TYPE I19.0B
J3	250mm AGGREGATE BASE COURSE
T	EARTH MATERIAL

NOTE:
1. ALL PAVEMENT EDGE SLOPES ARE 1:1 UNLESS SHOWN OTHERWISE
2. SEE SHEET NO. 2 FOR DETAILED PAVEMENT SCHEDULE



TYPICAL SECTION NO. 25

USE TYPICAL SECTION NO. 25 FOR:
LINE -Y9A- STA. 10+03.642 TO STA. 10+80



TYPICAL SECTION NO. 26

USE TYPICAL SECTION NO. 26 FOR:
LINE -Y4DET- STA. 10+64.678 TO STA. 13+27.535
LINE -Y4DET- STA. 13+66.931 TO STA. 16+30.201

01/14/2004 07:31:20 AM
 Title: TypDetail\150513C.TYP