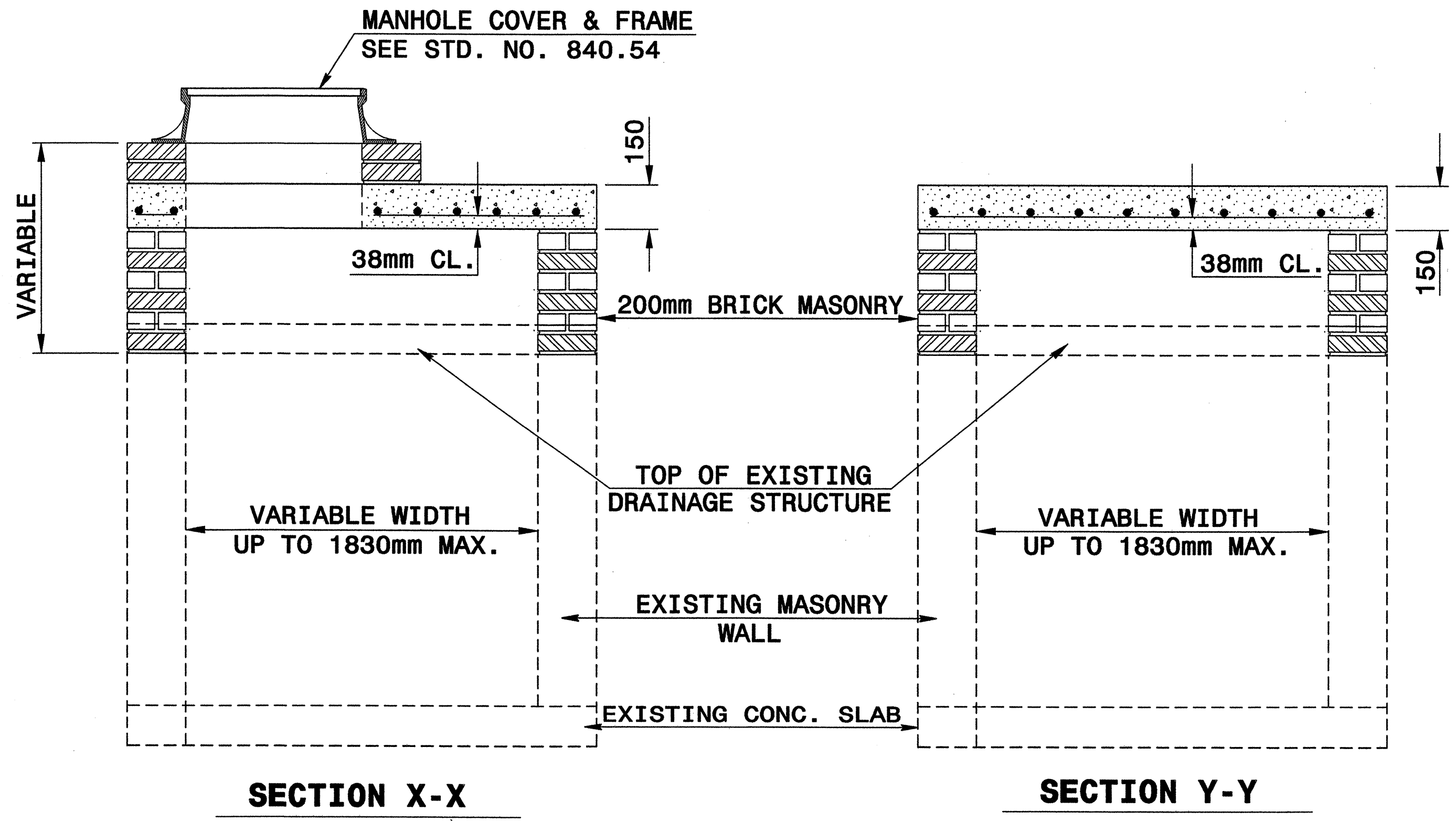
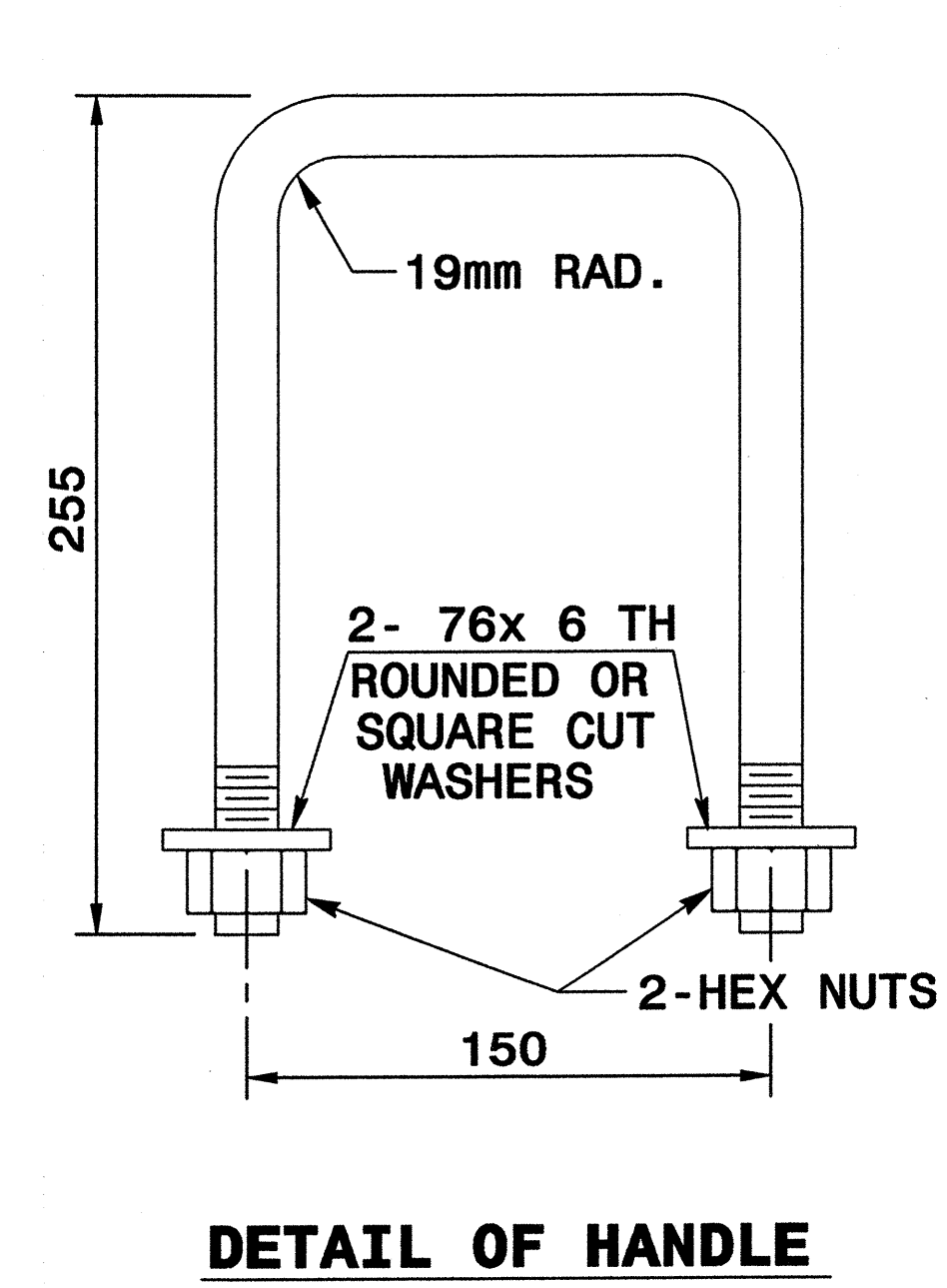
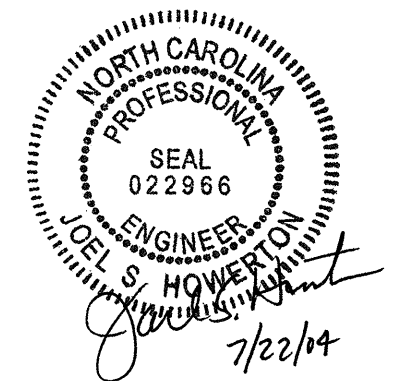


GENERAL NOTES:
 CONSTRUCT IN ACCORDANCE WITH SECTION 859 OF THE STANDARD SPECIFICATIONS.
 THE DIMENSIONS FOR THE EXISTING BOXES ARE APPROXIMATE AND MAY VARY SLIGHTLY.
 DETAIL INTENDED FOR NON-TRAFFIC BEARING DRAINAGE STRUCTURES.

| BILL OF MATERIALS | | | | |
|------------------------------|------|------|--------|-------------------|
| REINFORCING STEEL | | | | |
| CODE | SIZE | QTY. | LENGTH | REINF. STEEL kgs. |
| A | #16 | 20 | 1370 | 45.52 |
| B | #16 | 8 | 330 | 4.10 |
| TOTAL | | | | 49.62 * |
| MASONRY | | | | m ³ |
| TOP SLAB CONCRETE CLASS "B" | | | | .3305 * |
| BRICK MASONRY PER m HT (MIN) | | | | 1.7651 |



*** NOTE:**
 QUANTITIES BASED ON 1070mm X 1070mm DRAINAGE STRUCTURE. ADJUST QUANTITIES FOR LARGER STRUCTURES AND MANHOLE CONSTRUCTION.



**DESIGN SERVICES UNIT
 STANDARDS AND SPECIAL DESIGN**
 Office 919-250-4128 FAX 919-250-4119

**DETAIL TO CONVERT EXISTING
 DROP INLET OR CATCH BASIN
 TO JUNCTION BOX
 (MANHOLE OPTIONAL)**

ORIGINAL BY: T.S.S. DATE: NOV 1997
 MODIFIED BY: T.S.S. DATE: FEB 2000
 CHECKED BY: [Signature] DATE: 4/01
 FILE SPEC.: g:\174\usr\details\metric\stand\boxtojb.dgn