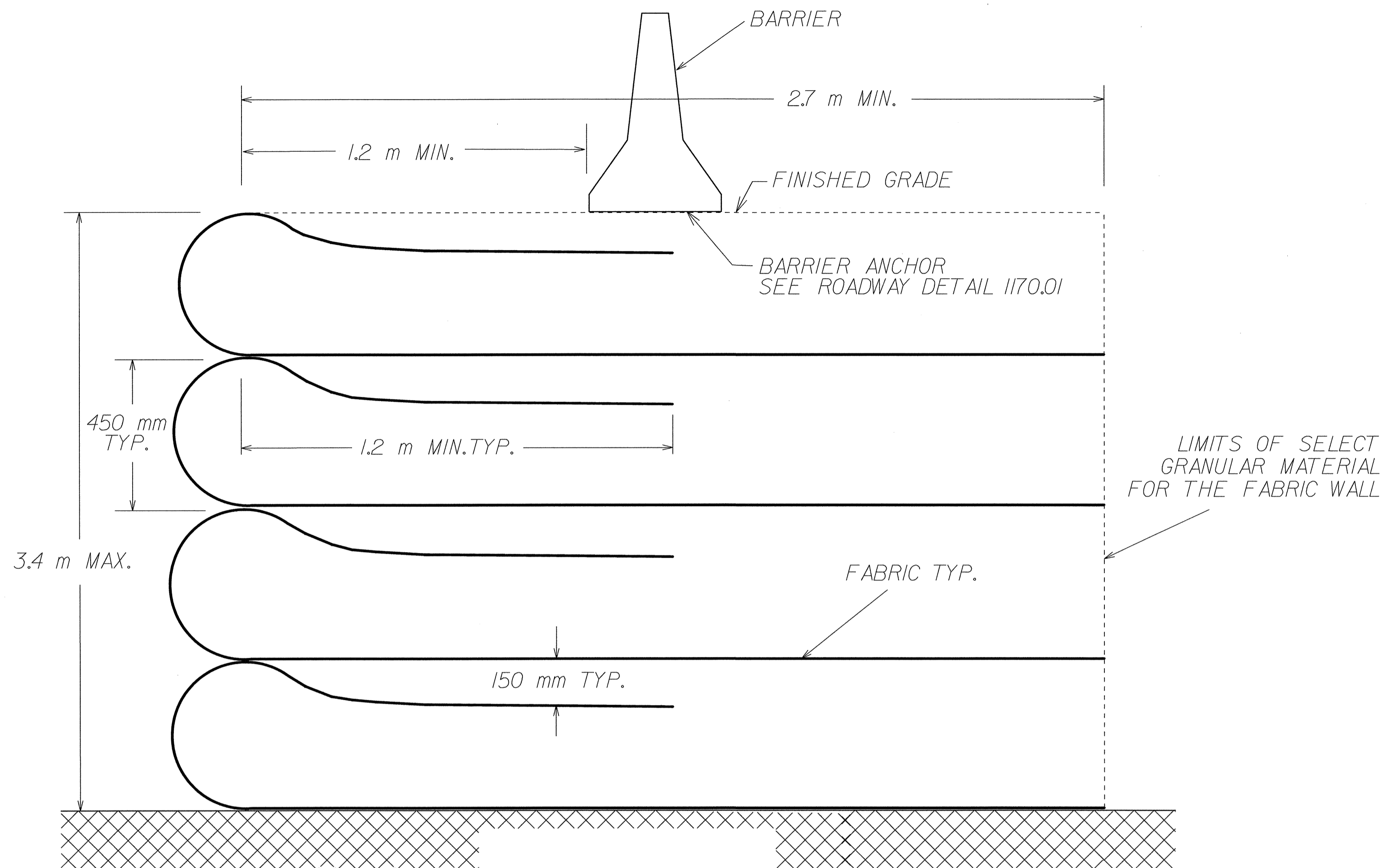
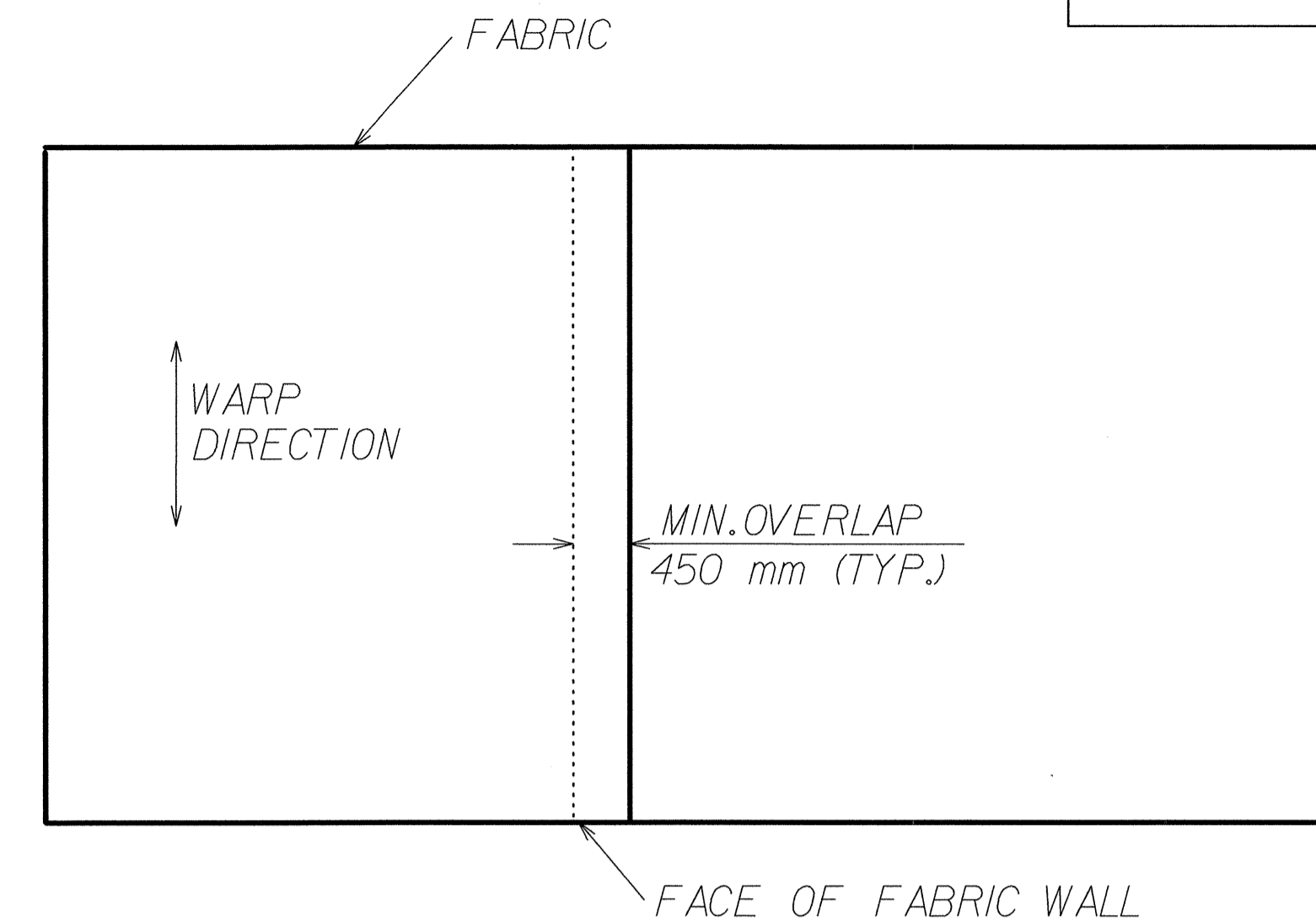


PROJ. REFERENCE NO.	SHEET NO.	TOTAL SHEETS
R-0513C	2-Y	
STATE PROJ. NO.	F.A. PROJ. NO.	DESCRIPTION
34336.34	NHF-18-420	



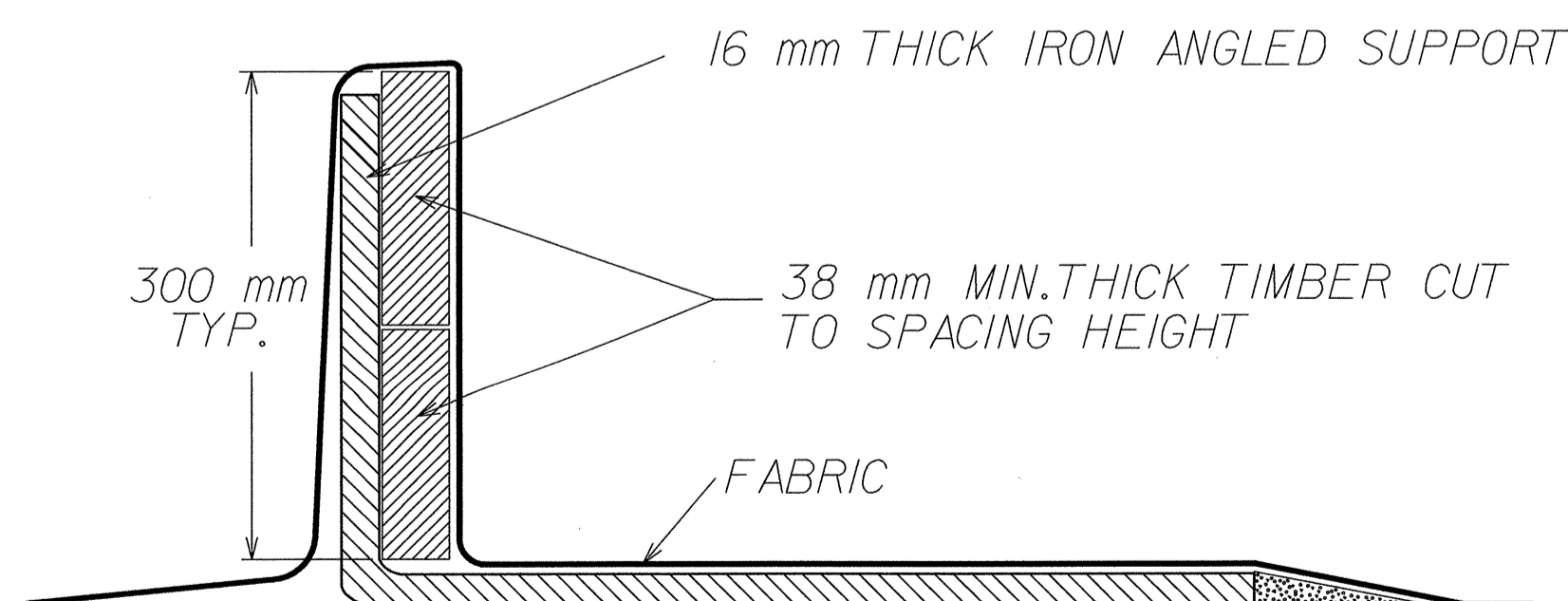
TYPICAL FABRIC WALL CROSS SECTION WHEN USING FALSEWORK OPTION  
N.T.S.



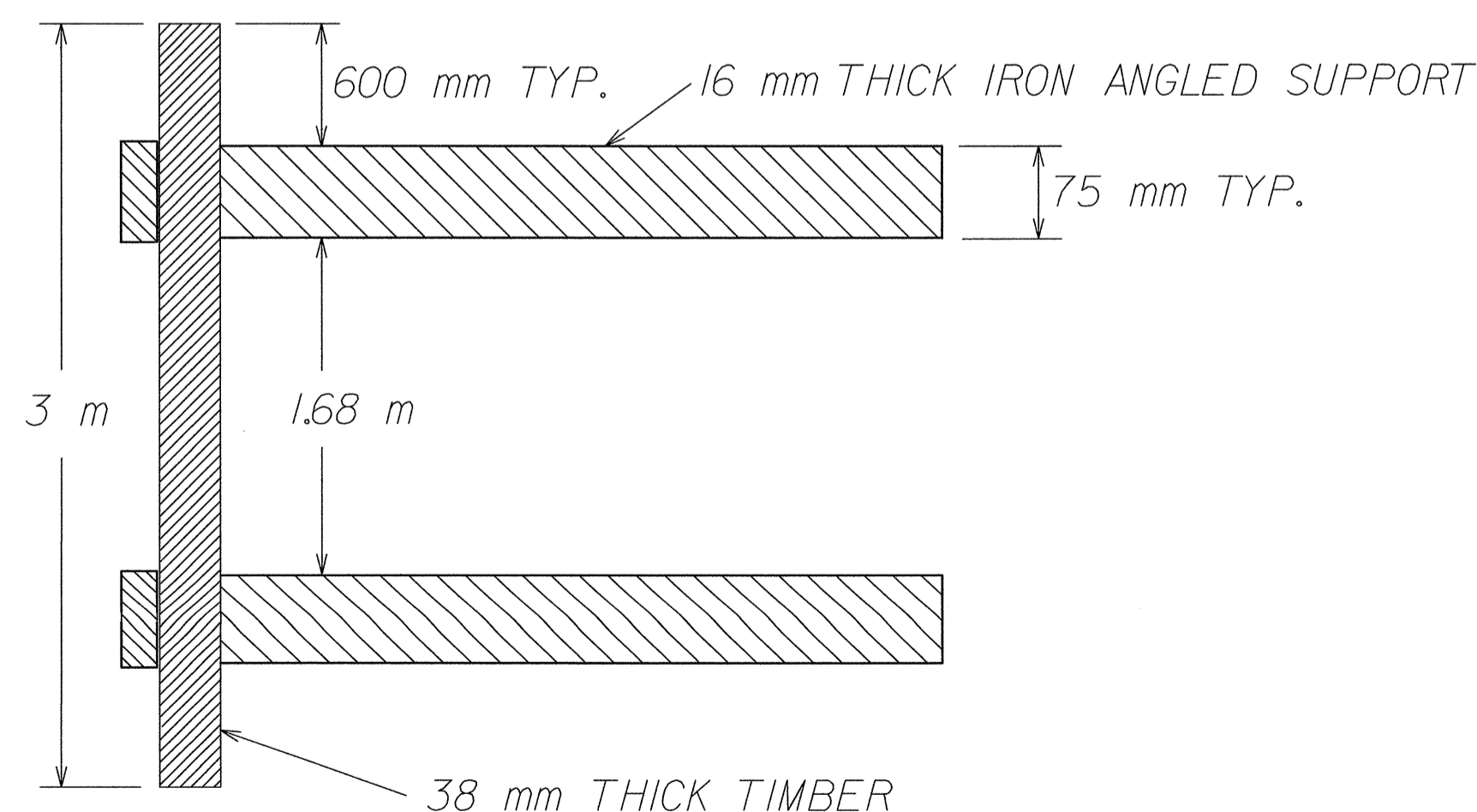
PLAN VIEW OF FABRIC OVERLAP  
N.T.S.

NOTES:

- FABRIC FOR THE TEMPORARY FABRIC WALL SHALL HAVE A MINIMUM WIDE WIDTH TENSILE STRENGTH OF 18 kN/m IN THE WARP DIRECTION (BASED ON ASTM-D4595) AT 5% ELONGATION AND A MINIMUM ULTIMATE WIDE WIDTH TENSILE STRENGTH OF 106 kN/m IN THE WARP DIRECTION.
- LOCATIONS AND QUANTITIES PROVIDED ARE ONLY APPROXIMATE. EXACT LOCATIONS AND QUANTITIES SHALL BE DETERMINED BY THE ENGINEER IN THE FIELD.
- PROPER DRAINAGE AT THE TOP OF THE WALL SHALL BE AS DIRECTED BY THE ENGINEER.
- SELECT GRANULAR MATERIAL SHALL BE CLASS II IN ACCORDANCE WITH SECTION 1016 OF THE STANDARD SPECIFICATIONS.
- FABRIC WALL SHALL BE LEFT IN PLACE PERMANENTLY.
- THE CONTRACTOR MAY ELECT TO USE A FORMING SYSTEM TO CONSTRUCT THE TEMPORARY FABRIC WALL OTHER THAN THE FALSEWORK OR WIRE MESH FORM OPTIONS SHOWN IN THESE PLANS, HOWEVER, THE ALTERNATE METHOD MUST BE SUBMITTED TO THE ENGINEER FOR APPROVAL.
- WHEN THE FINAL FILL IS PLACED IN FRONT OF THE WALL, UNFOLD THE TOP LAYER OF FABRIC AND INCORPORATE IT INTO THE FILL AS DIRECTED BY THE ENGINEER.
- THE FABRIC WALL SHALL BE BENCHED INTO THE SIDE OF THE EXCAVATION WHERE APPLICABLE AND AS DIRECTED BY THE ENGINEER.
- FOR TEMPORARY FABRIC WALL, SEE SPECIAL PROVISIONS
- ALLOWABLE BEARING CAPACITY OF 1 TSF IS REQUIRED FOR THE FOUNDATION MATERIAL.



ELEVATION VIEW OF WALL FACE FALSEWORK  
N.T.S.



PLAN VIEW OF WALL FACE FALSEWORK  
N.T.S.

PROJECT R-0513C  
ROBESON COUNTY  
STATION SEE TRAFFIC CONTROL PLANS

STATE OF NORTH CAROLINA  
DEPARTMENT OF TRANSPORTATION  
RALEIGH  
TEMPORARY FABRIC WALL - FALSEWORK FORM OPTION  
DRAWN BY CBS DATE FEB.04  
CHECKED BY RSW DATE FEB.04  
SHEET 2 OF 2