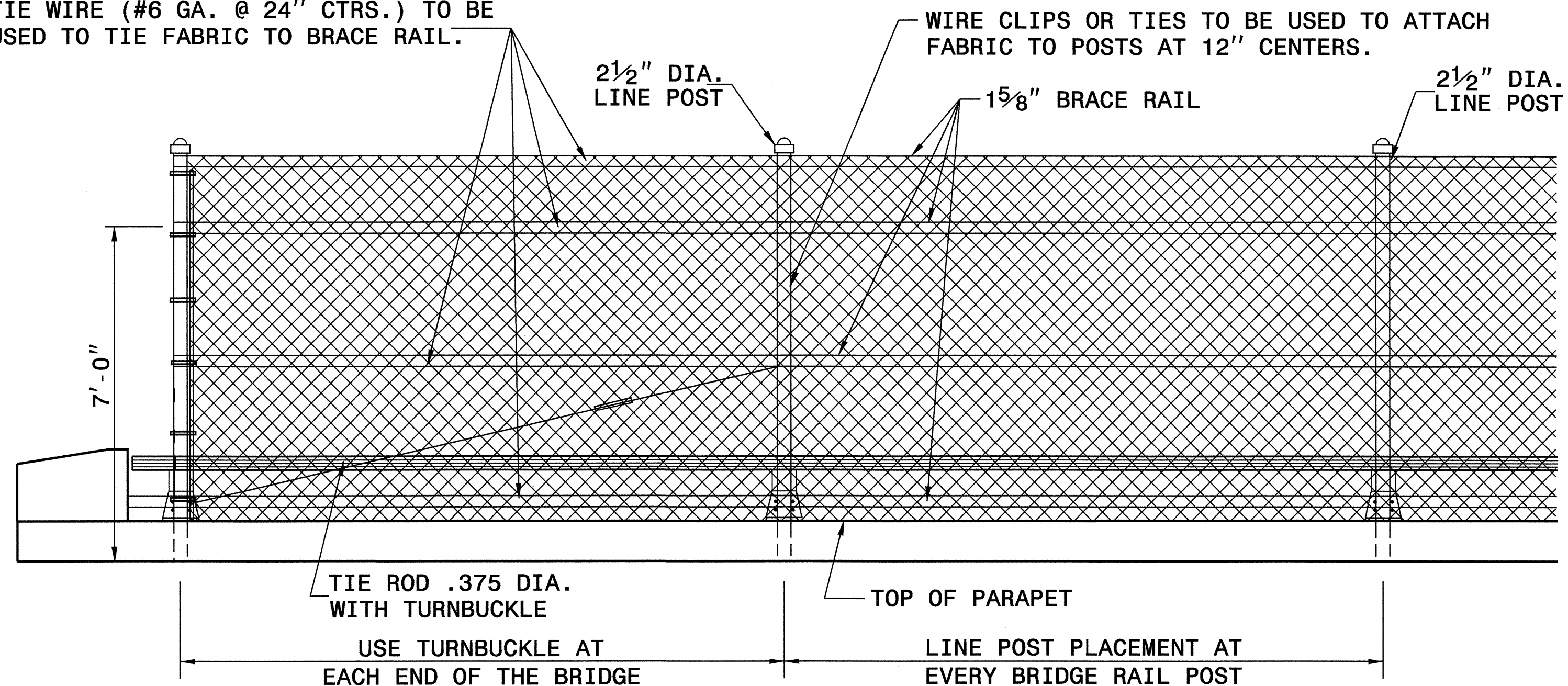


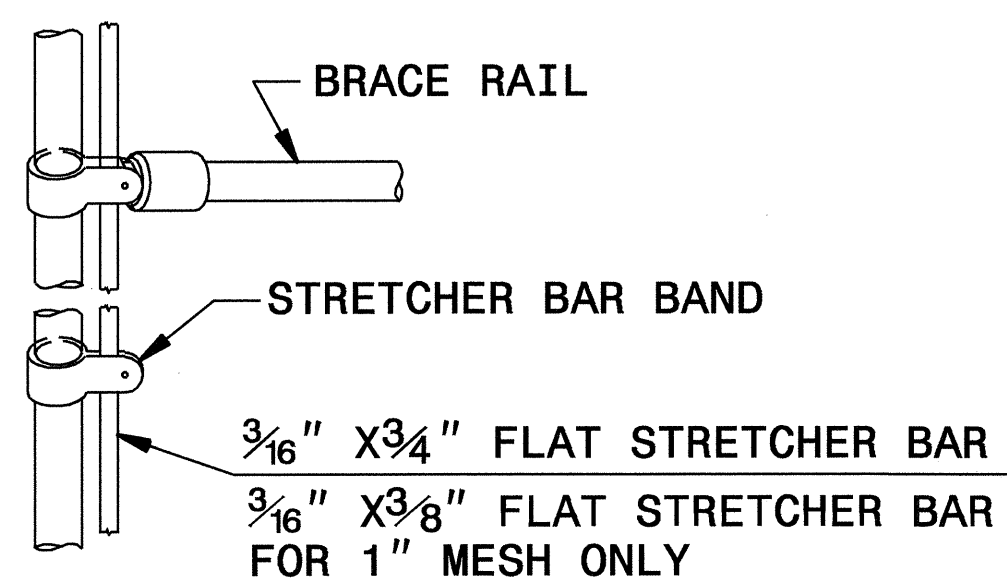
TIE WIRE (#6 GA. @ 24" CTRS.) TO BE USED TO TIE FABRIC TO BRACE RAIL.

WIRE CLIPS OR TIES TO BE USED TO ATTACH FABRIC TO POSTS AT 12" CENTERS.

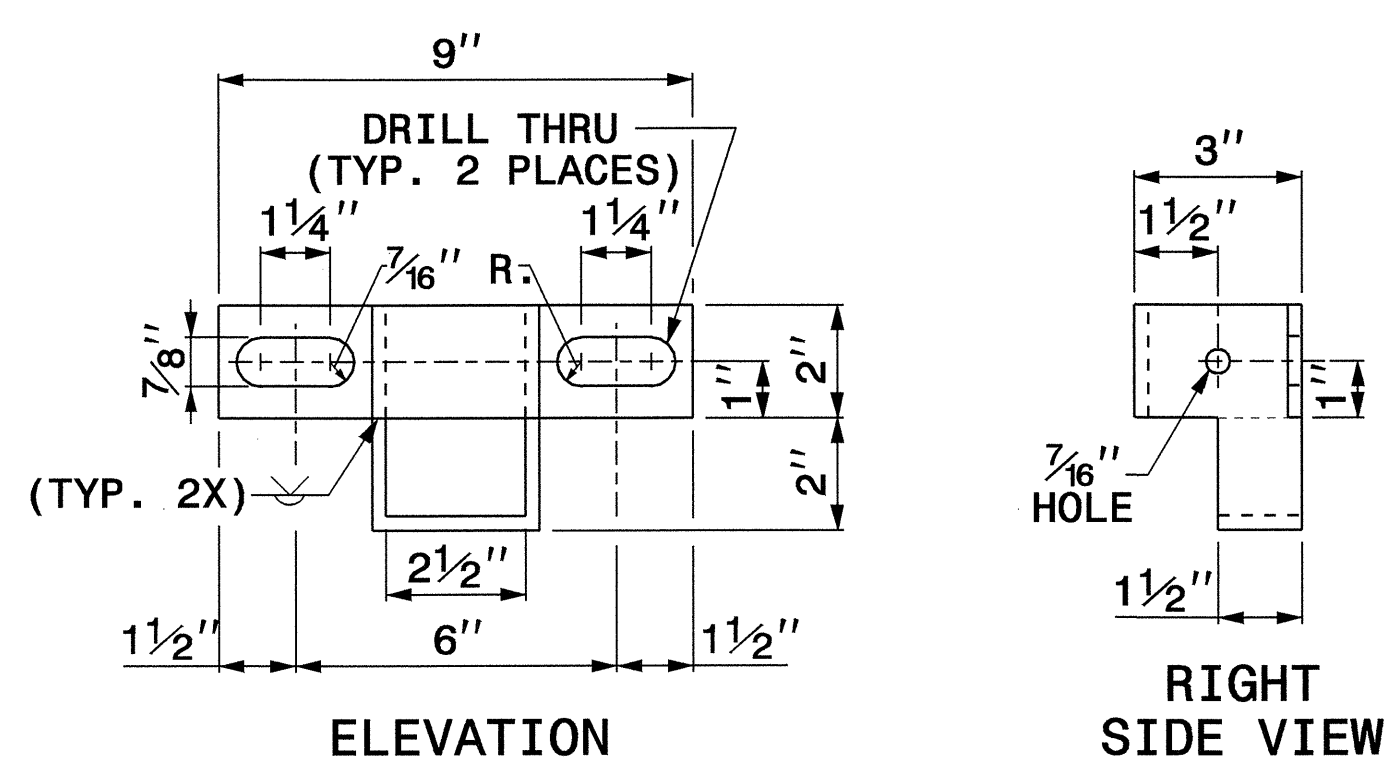


NOTES:

- VINYL COATING (MEDIUM GREEN) OF CHAIN LINK FABRIC, FITTINGS AND ACCESSORIES WILL BE DONE IN ACCORDANCE WITH ARTICLE 1050-3, 1050-6 AND 1050-7 OF THE STANDARD SPECIFICATIONS.
- PAINT (IN ACCORDANCE WITH ARTICLE 1080 OF THE STANDARD SPECIFICATIONS) ALL NON-VINYL COATED PARTS, EITHER BEFORE OR AFTER INSTALLATION, TO MATCH THE VINYL COATED FENCE COMPONENTS AS DIRECTED BY THE ENGINEER.
- GALVANIZE OF STEEL PARTS AND HARDWARE IN ACCORDANCE WITH ARTICLE 1076 OF THE STANDARD SPECIFICATIONS.
- MATERIAL FOR THREADED ANCHOR RODS SHALL BE TYPE 304 STAINLESS STEEL WITH A MINIMUM 9000 PSI ULTIMATE STRENGTH. NUTS AND WASHERS SHALL BE TYPE 304 STAINLESS STEEL.
- ADHESIVE ANCHOR SYSTEM SHALL HAVE A MINIMUM PULLOUT STRENGTH OF 10 KIPS.
- EPOXY MATERIAL USED FOR CHEMICALLY BONDING THE THREADED RODS SHALL MEET THE APPLICABLE REQUIREMENTS OF SECTION 1081 TYPE 3A OF THE STANDARD SPECIFICATIONS AND SHALL BE INSTALLED IN ACCORDANCE WITH THE MANUFACTURERS RECOMMENDATIONS.
- TESTING OF THE STUD TO 90% OF THE SPECIFIED STRENGTH SHALL BE PERFORMED AT THE OPTION OF THE ENGINEER.
- POST BRACKETS, THREADED ROD NUTS AND WASHERS SHALL BE MANUFACTURED TO MEET THE REQUIREMENTS OF ASTM A36.
- USE FENCE POSTS OF 2 1/2" DIAMETER SCHEDULE 40 PLAIN END GALVANIZED STEEL PIPE MEETING THE REQUIREMENTS OF ASTM A-53.
- USE APPLICABLE REQUIREMENTS OF SECTION 866 OF THE STANDARD SPECIFICATIONS AND ROADWAY STANDARD DRAWING 866.01.

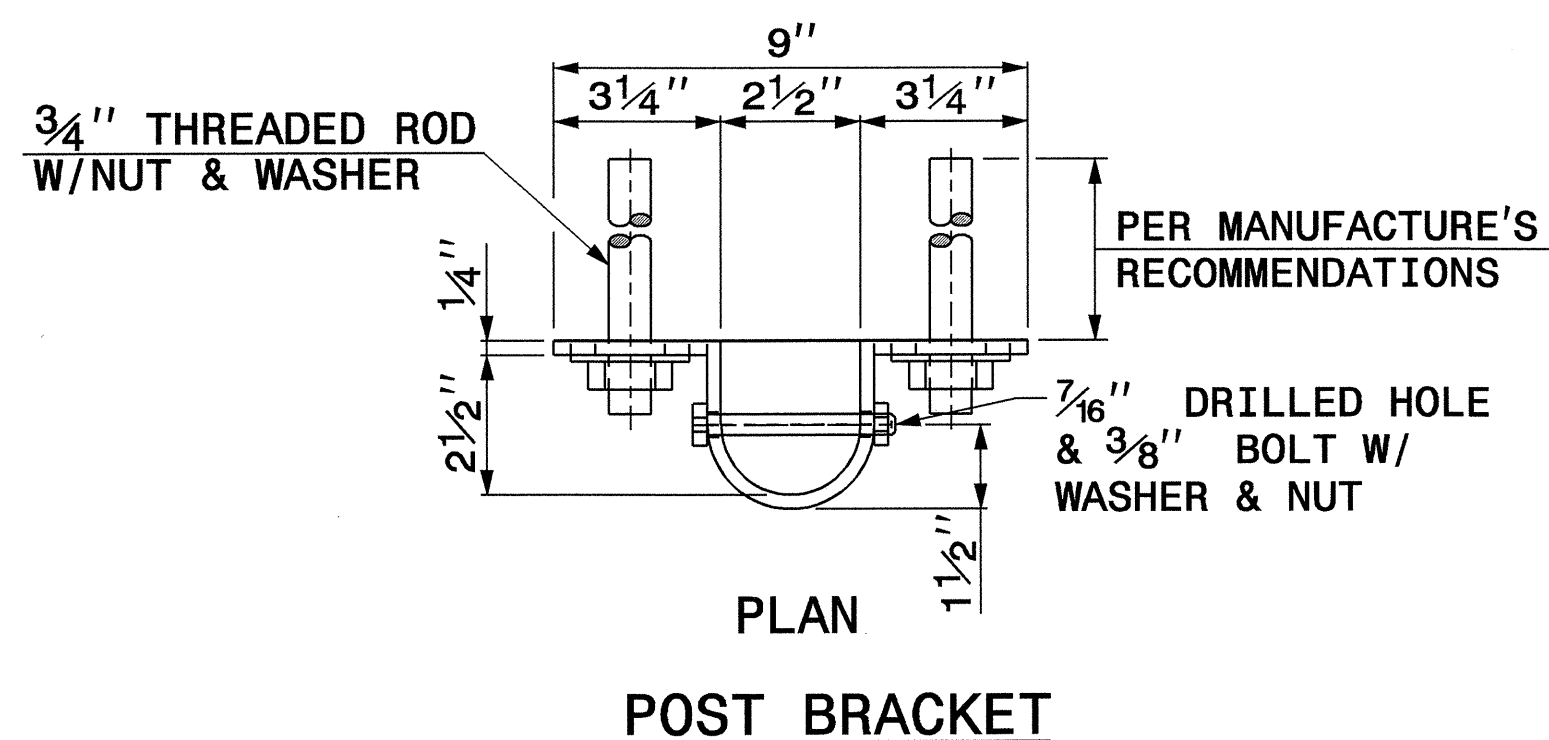


TERMINAL POST WITH STRETCHER BAR ATTACHMENT

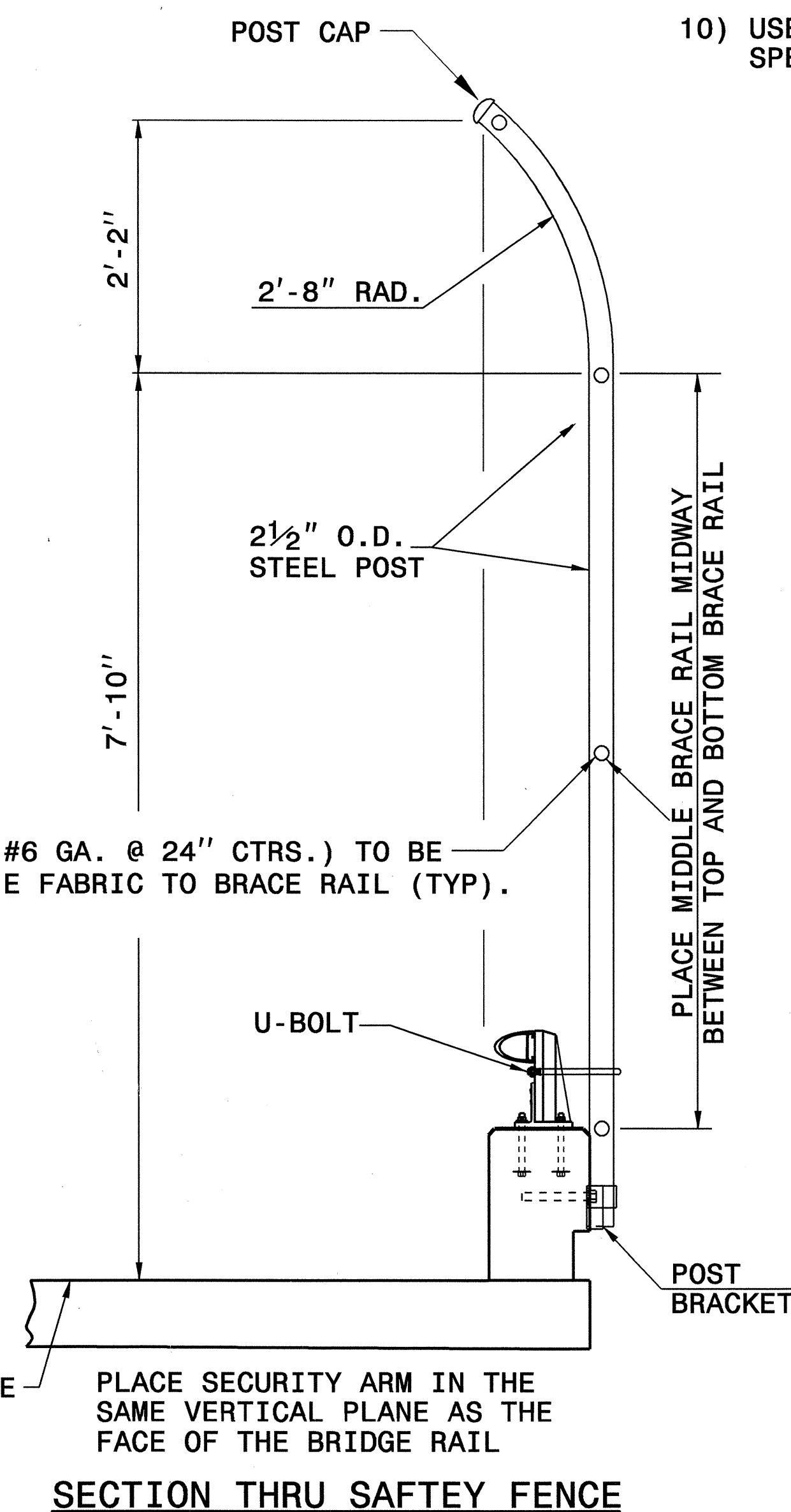


ELEVATION

RIGHT SIDE VIEW

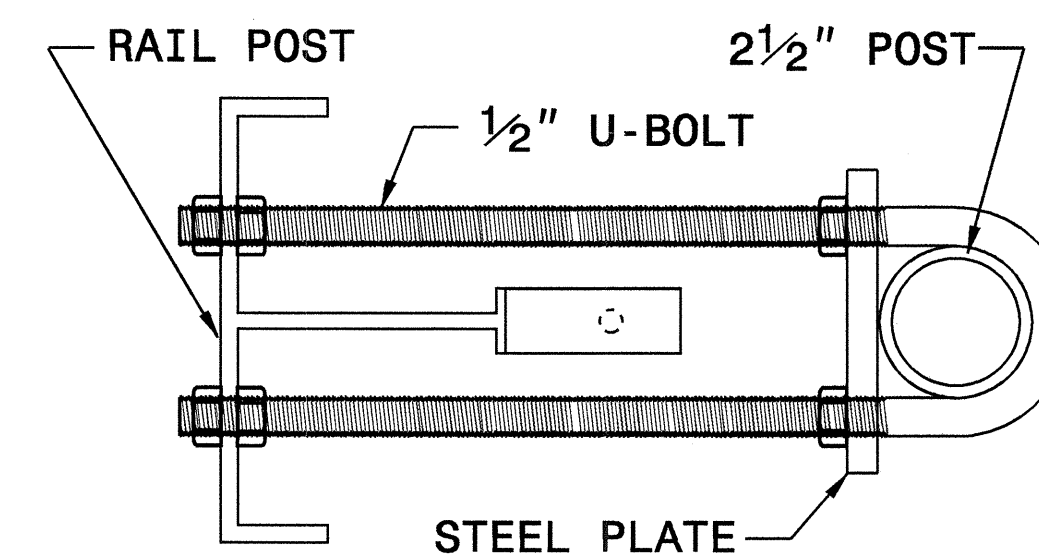


POST BRACKET

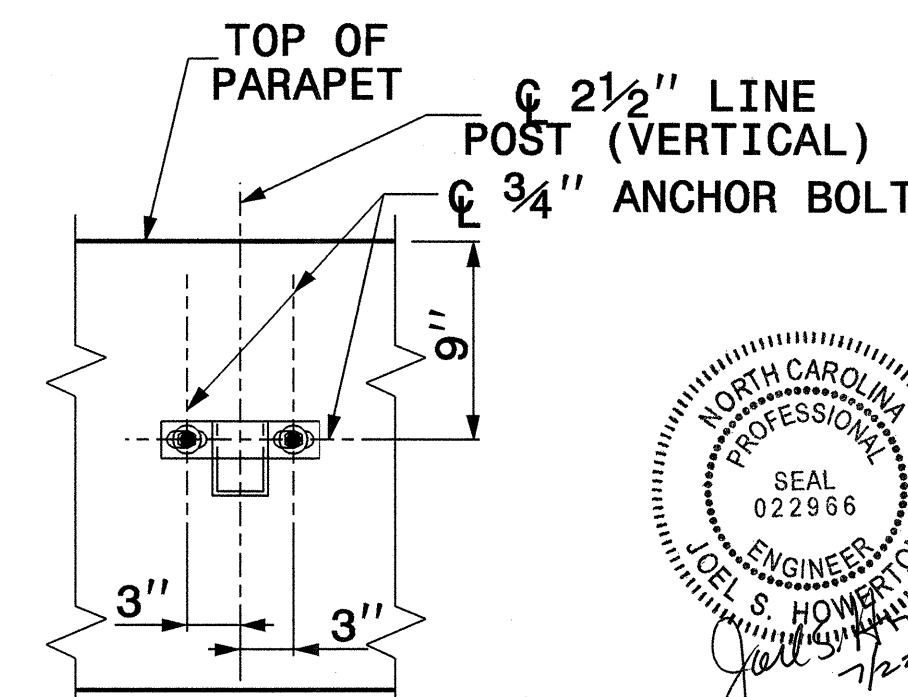


TIE WIRE (#6 GA. @ 24" CTRS.) TO BE USED TO TIE FABRIC TO BRACE RAIL (TYP).

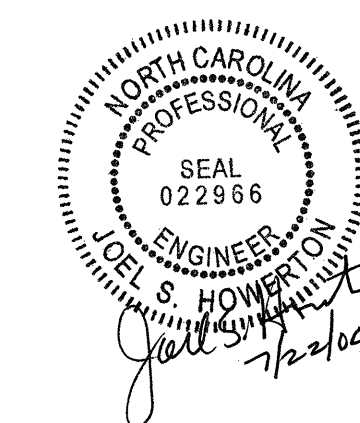
SECTION THRU SAFETY FENCE



U-BOLT TO BRIDGE RAIL POST



BOLT SETTING DETAIL



**DESIGN SERVICES UNIT
STANDARDS AND SPECIAL DESIGN**
Office 919-250-4128 FAX 919-250-4119

FENCE ATTACHMENT TO EXISTING BRIDGE

ORIGINAL BY: E.E. WARD DATE: 6-16-00
 MODIFIED BY: E.E. WARD DATE: 9-06-02
 CHECKED BY: *[Signature]* DATE: 7-02
 FILE SPEC.: usrdetail1ststd\catchfence.dgn