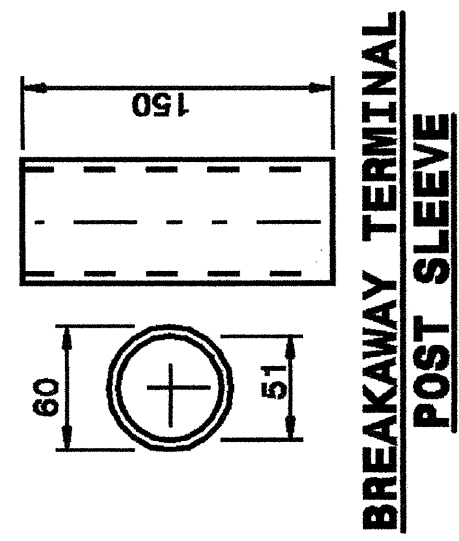


22-MAY-2003 13:51
 W:\Special_Details\stds\02 Stds to Special_Details\metric\86202\0862a02m.dgn
 ereward AT USE:1260

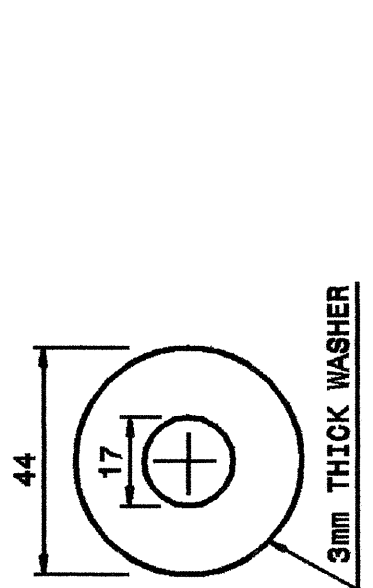
STATE OF
 NORTH CAROLINA
 DEPT. OF TRANSPORTATION
 DIVISION OF HIGHWAYS
 RALEIGH, N.C.

METRIC DETAIL DRAWING FOR
 GUARDRAIL INSTALLATION

SHEET 6 OF 7
 862D02

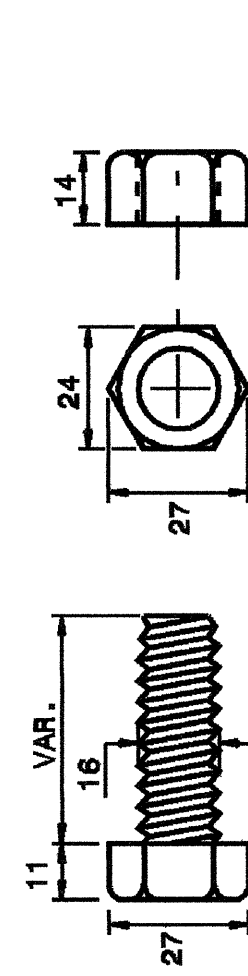


BREAKAWAY TERMINAL
 POST SLEEVE

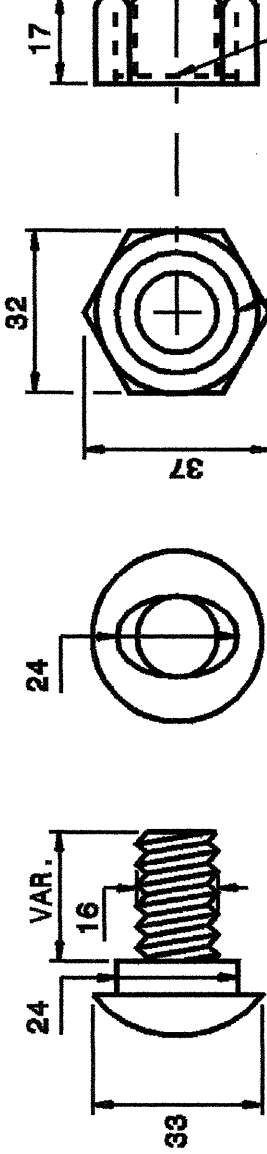


DETAIL OF STANDARD WASHER

STANDARD WASHER: TYPICAL USE UNDER NUT WITH WOOD POST



DETAIL OF STANDARD HEX BOLT AND NUT

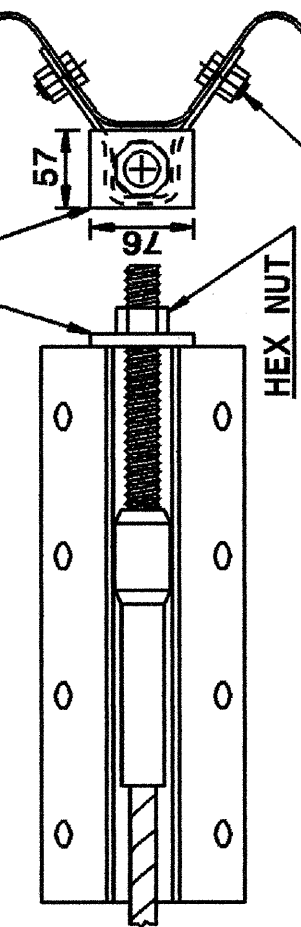


DETAIL OF BUTTON HEAD BOLT AND NUT

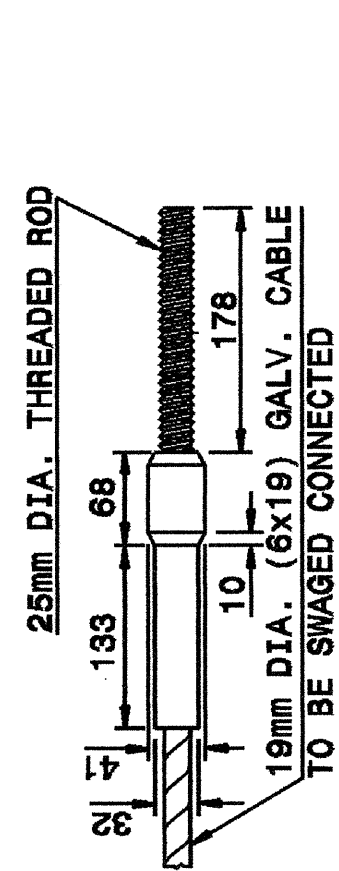
Note:
 This drawing is dimensioned in
 millimeters unless otherwise
 depicted within the drawing.

SYSTEM PARTS

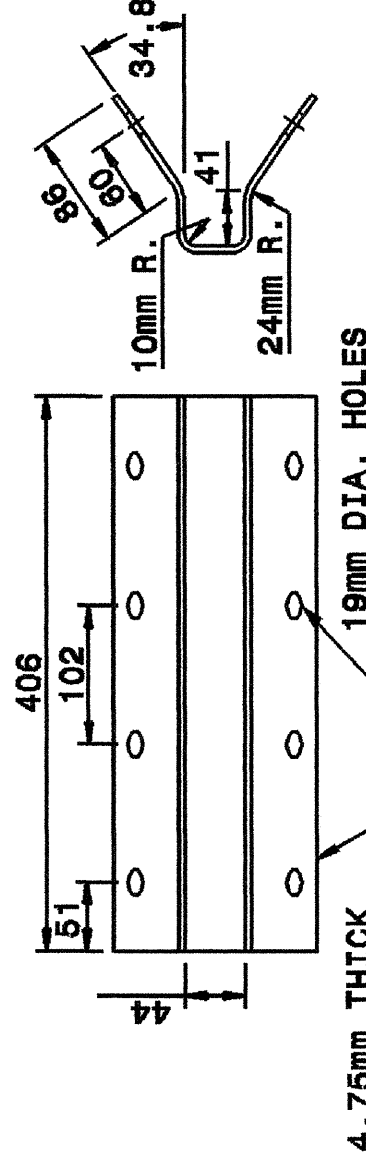
10mm THICK END PLATE
 WITH 27mm DIA. HOLE
 CENTERED IN PLATE.
 WELD END PLATE
 TO ANCHOR PLATE.



ANCHOR PLATE ASSEMBLY



SWAGED CABLE



CABLE ASSEMBLY

STATE OF
 NORTH CAROLINA
 DEPT. OF TRANSPORTATION
 DIVISION OF HIGHWAYS
 RALEIGH, N.C.

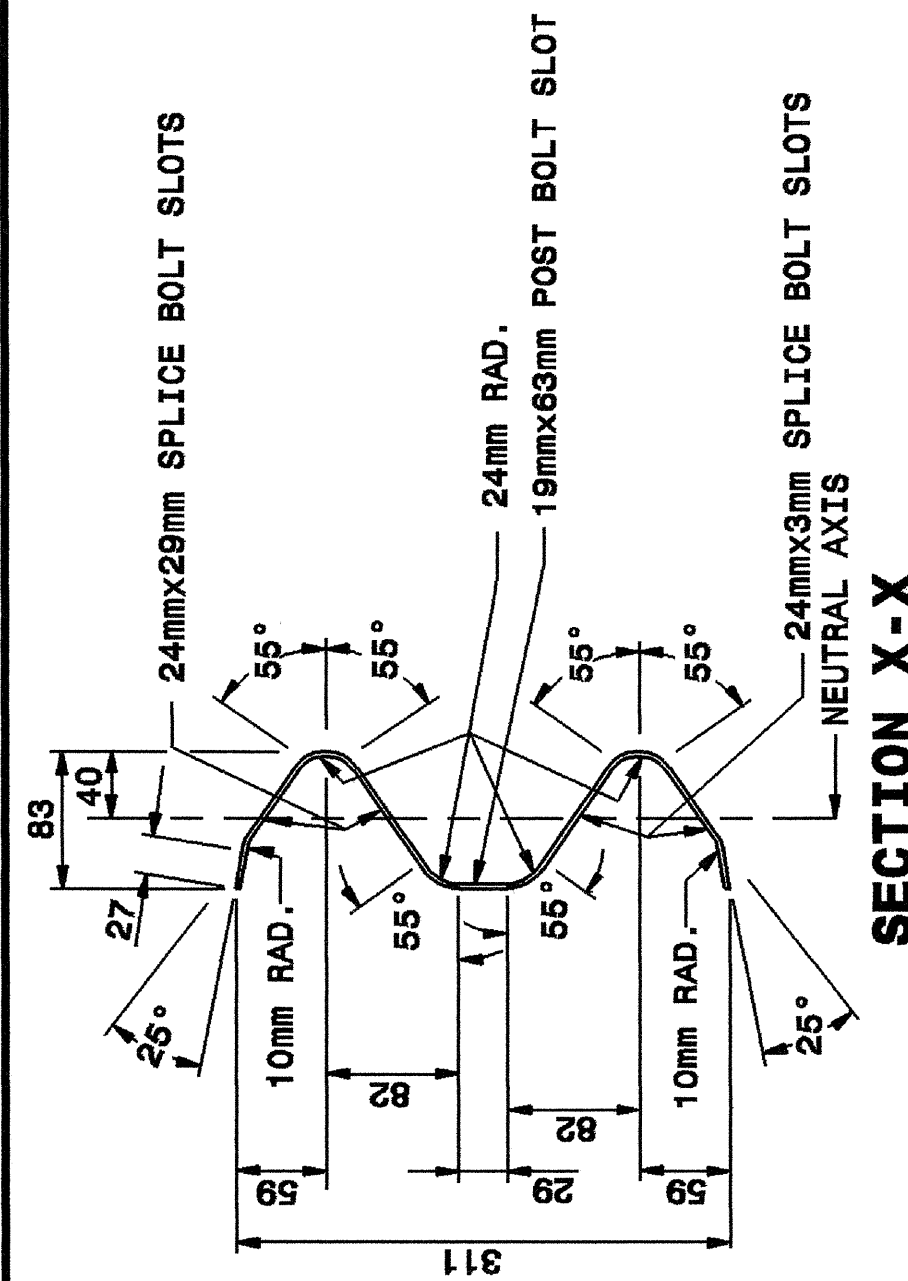
METRIC DETAIL DRAWING FOR
 GUARDRAIL INSTALLATION

SHEET 6 OF 7
 862D02

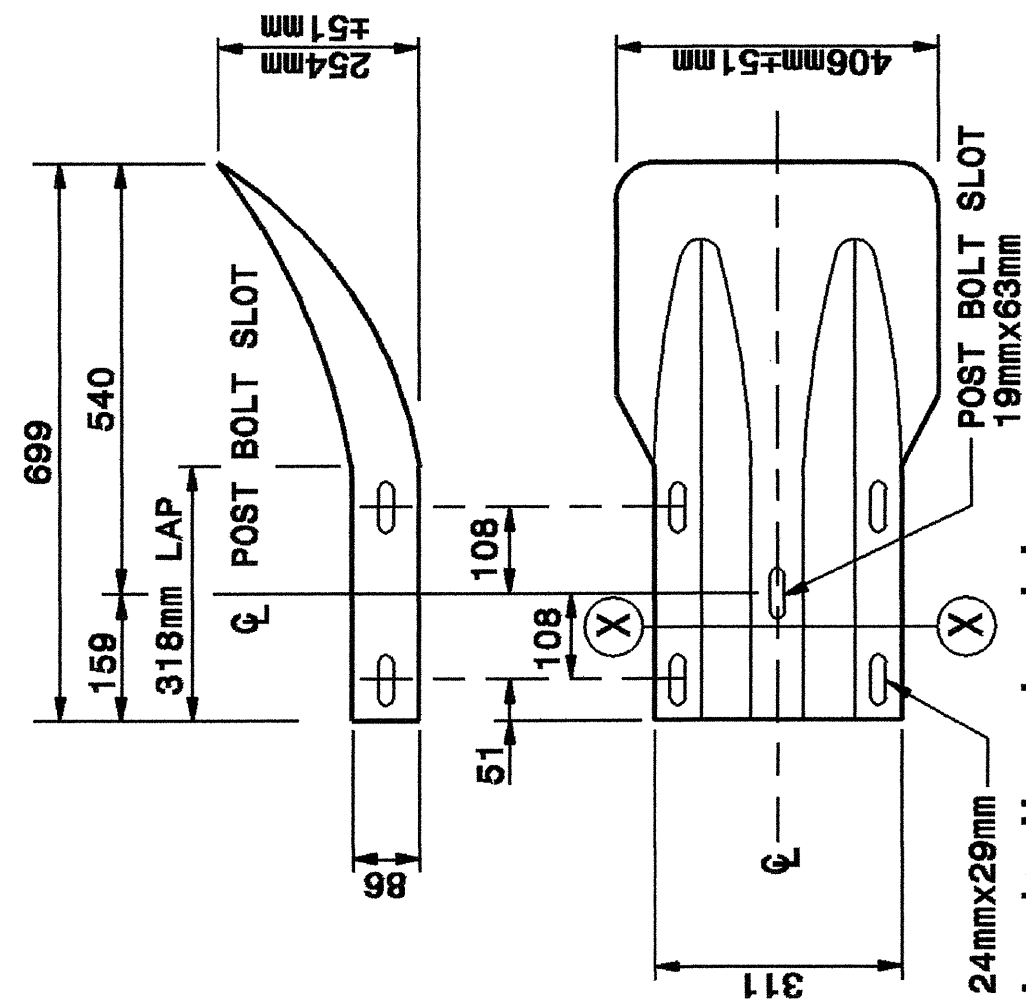
STATE OF
 NORTH CAROLINA
 DEPT. OF TRANSPORTATION
 DIVISION OF HIGHWAYS
 RALEIGH, N.C.

METRIC DETAIL DRAWING FOR
 GUARDRAIL INSTALLATION

SHEET 6 OF 7
 862D02



SECTION X-X



Note:
 This drawing is dimensioned in
 millimeters unless otherwise
 depicted within the drawing.

TYPICAL END SHOE
 SYSTEM PARTS - GENERAL USE

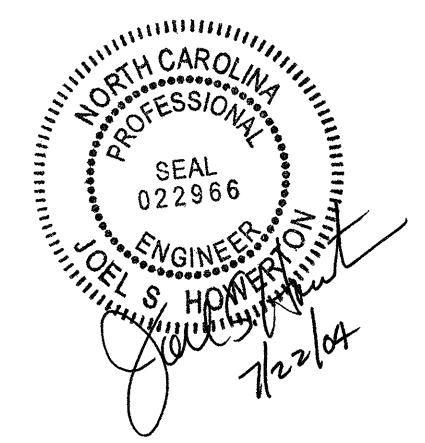
STATE OF
 NORTH CAROLINA
 DEPT. OF TRANSPORTATION
 DIVISION OF HIGHWAYS
 RALEIGH, N.C.

METRIC DETAIL DRAWING FOR
 GUARDRAIL INSTALLATION

SHEET 6 OF 7
 862D02

PROJECT REFERENCE NO.
 R-0513C

SHEET NO.
 2-JJ



DESIGN SERVICES UNIT
 STANDARDS AND SPECIAL DESIGN
 Office 919-250-4128 FAX 919-250-4119

SEE PLATE FOR TITLE

ORIGINAL BY: 2002 STD.862.02 DATE:
 MODIFIED BY: E.E. WARD DATE: 02-09-03
 CHECKED BY: DATE:
 FILE SPEC.: /usr/stds/02todetail/metric/86202/862002m.dgn