

I:\4-APR-2004_10:44
 W:\Special_Details\stds\02\stds to Special_Details\metric\865d01\0865d01m.dgn
 E:\ward AT 12/22/04

STATE OF
 NORTH CAROLINA
 DEPT. OF TRANSPORTATION
 DIVISION OF HIGHWAYS
 RALEIGH, N.C.

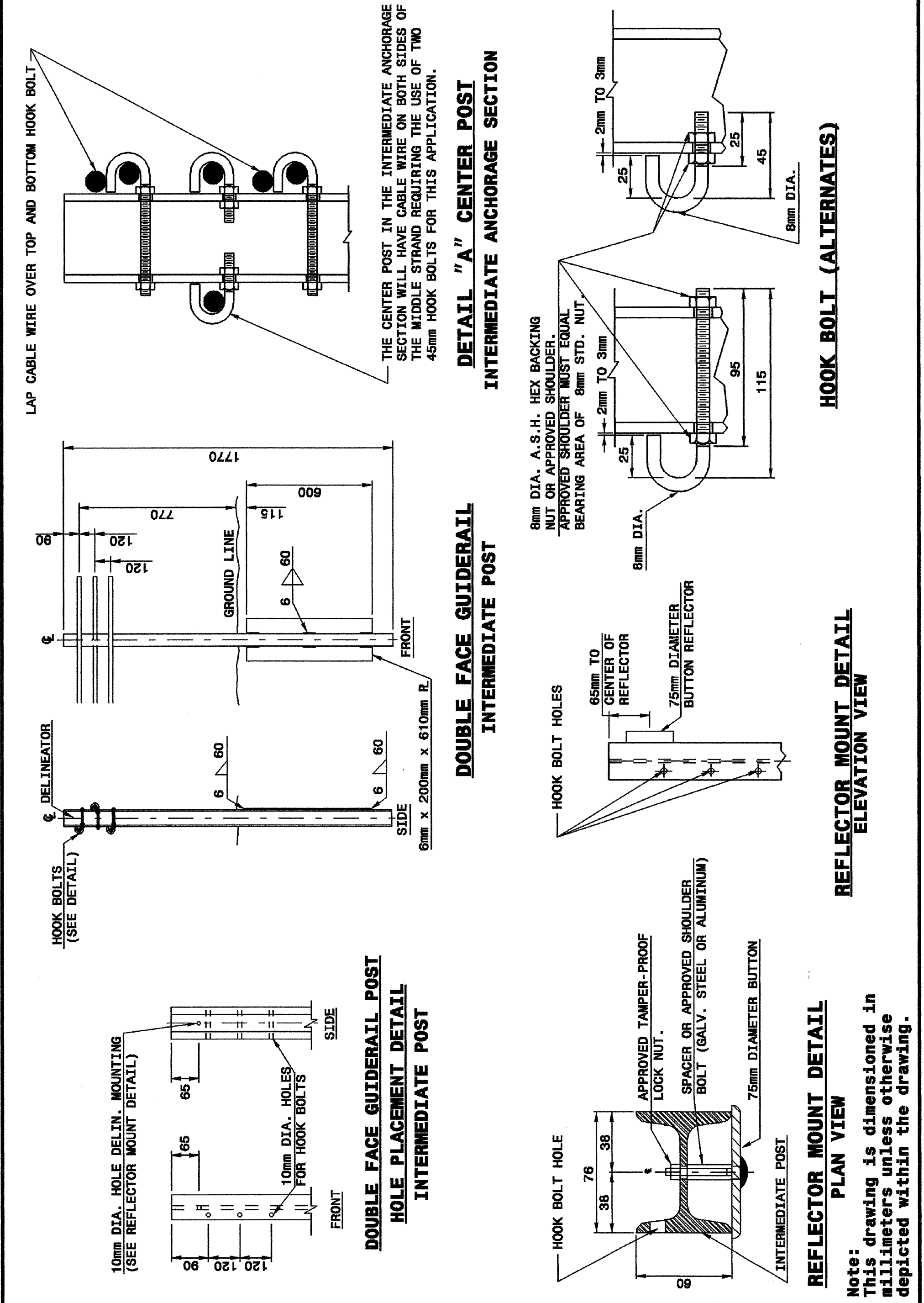
METRIC DETAIL DRAWING FOR
CABLE GUIDERAIL
 DOUBLE FACE GUIDERAIL - POST DETAILS

SHEET 6 OF 11
865D01

STATE OF
 NORTH CAROLINA
 DEPT. OF TRANSPORTATION
 DIVISION OF HIGHWAYS
 RALEIGH, N.C.

METRIC DETAIL DRAWING FOR
CABLE GUIDERAIL
 DOUBLE FACE GUIDERAIL - POST DETAILS

SHEET 5 OF 11
865D01



REFLECTOR MOUNT DETAIL PLAN VIEW
REFLECTOR MOUNT DETAIL ELEVATION VIEW
DOUBLE FACE GUIDERAIL INTERMEDIATE POST HOLE PLACEMENT DETAIL
DOUBLE FACE GUIDERAIL POST HOLE DELIN. MOUNTING DETAIL
DETAIL "A" CENTER POST INTERMEDIATE ANCHORAGE SECTION
HOOK BOLT (ALTERNATES)

REFLECTOR MOUNT DETAIL ELEVATION VIEW

HOOK BOLT (ALTERNATES)

STATE OF
 NORTH CAROLINA
 DEPT. OF TRANSPORTATION
 DIVISION OF HIGHWAYS
 RALEIGH, N.C.

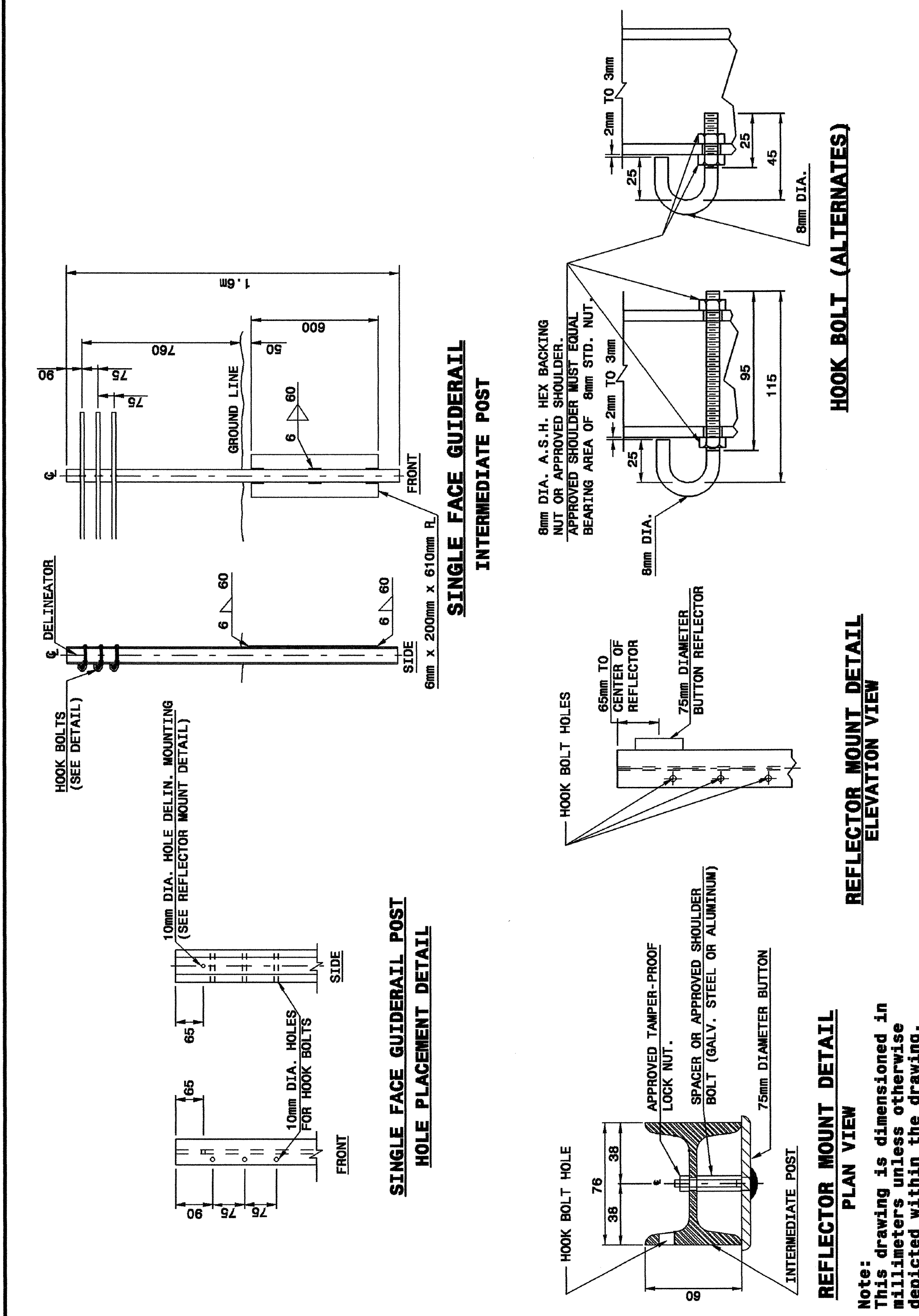
METRIC DETAIL DRAWING FOR
CABLE GUIDERAIL
 SINGLE FACE GUIDERAIL - POST DETAILS

SHEET 6 OF 11
865D01

STATE OF
 NORTH CAROLINA
 DEPT. OF TRANSPORTATION
 DIVISION OF HIGHWAYS
 RALEIGH, N.C.

METRIC DETAIL DRAWING FOR
CABLE GUIDERAIL
 SINGLE FACE GUIDERAIL - POST DETAILS

SHEET 5 OF 11
865D01



REFLECTOR MOUNT DETAIL PLAN VIEW
REFLECTOR MOUNT DETAIL ELEVATION VIEW
SINGLE FACE GUIDERAIL POST HOLE PLACEMENT DETAIL
SINGLE FACE GUIDERAIL POST HOLE DELIN. MOUNTING DETAIL
DETAIL "A" CENTER POST INTERMEDIATE SECTION
HOOK BOLT (ALTERNATES)

REFLECTOR MOUNT DETAIL ELEVATION VIEW

HOOK BOLT (ALTERNATES)

PROJECT REFERENCE NO. R-0513C SHEET NO. 2-PP



DESIGN SERVICES UNIT
 STANDARDS AND SPECIAL DESIGN
 Office 919-250-4128 FAX 919-250-4119

SEE PLATE FOR TITLE

ORIGINAL BY: 2002 STANDARDS DATE: 1-15-02
 MODIFIED BY: E.E. WARD DATE: 4-07-04
 CHECKED BY: DATE:
 FILE SPEC.: /usr/std/02stds to details/metric/86601/0865d01.dgn