

14-APR-2004 10:45
 C:\Special_Details\stds\02\Std to Special_Details\metric\865d01\0865d01m.dgn
 02/22/04

6/02/03

STATE OF
 NORTH CAROLINA
 DEPT. OF TRANSPORTATION
 DIVISION OF HIGHWAYS
 RALEIGH, N.C.

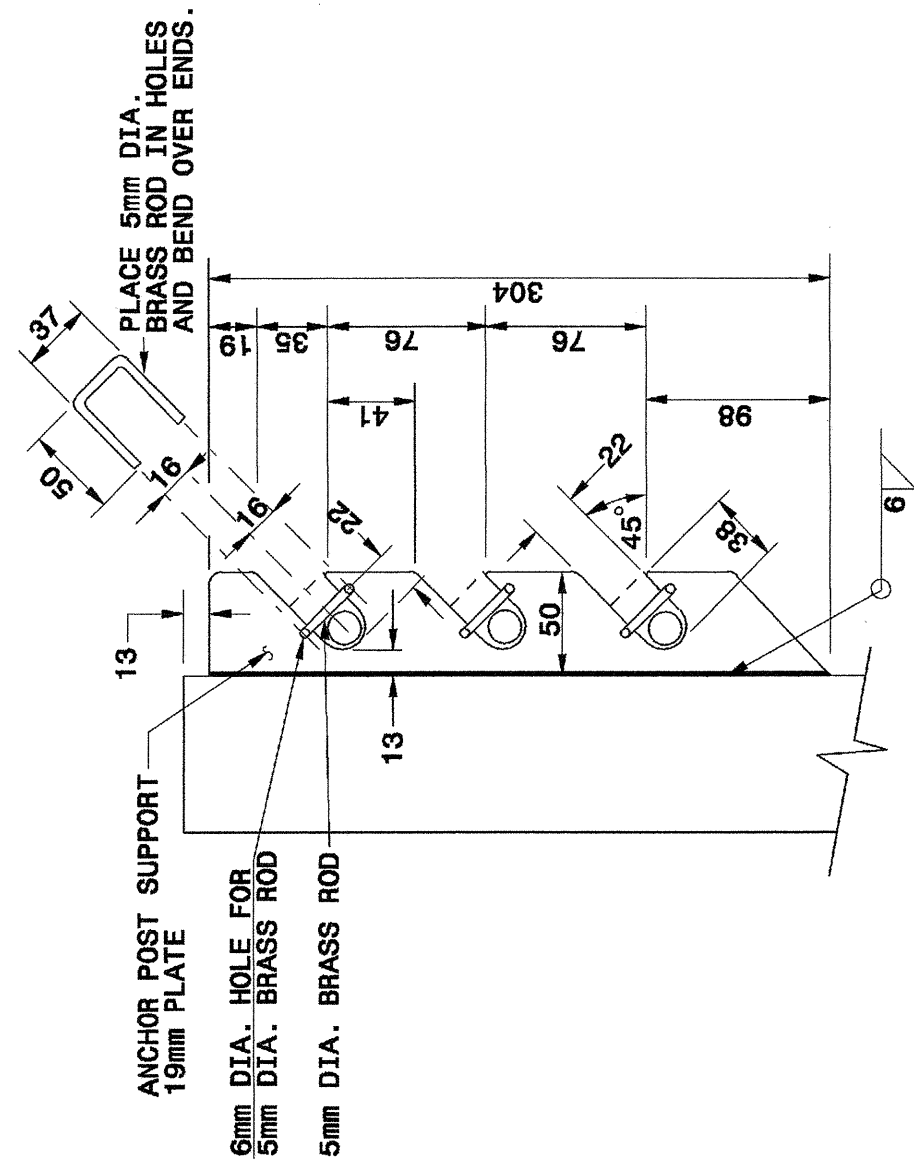
METRIC DETAIL DRAWING FOR
CABLE GUIDERAIL
 ANCHOR POST DETAILS

SHEET 7 OF 11
865D01

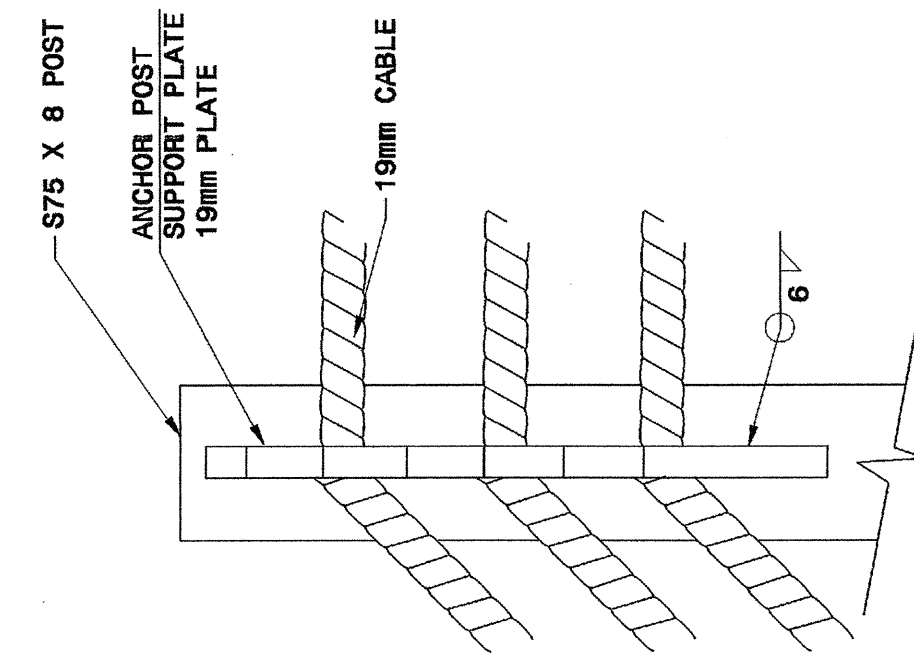
STATE OF
 NORTH CAROLINA
 DEPT. OF TRANSPORTATION
 DIVISION OF HIGHWAYS
 RALEIGH, N.C.

METRIC DETAIL DRAWING FOR
CABLE GUIDERAIL
 ANCHOR POST DETAILS

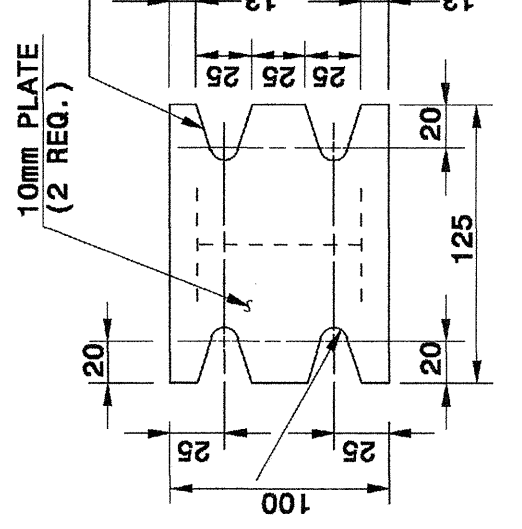
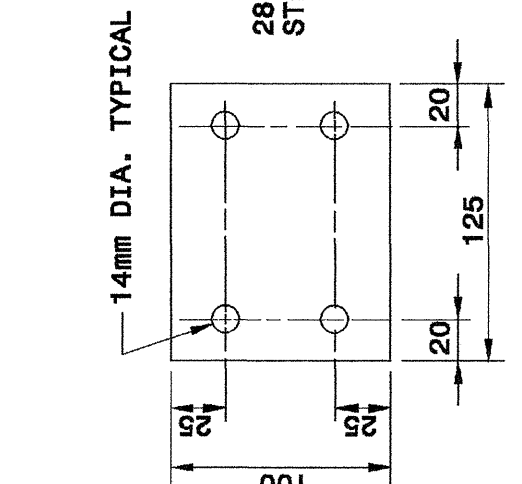
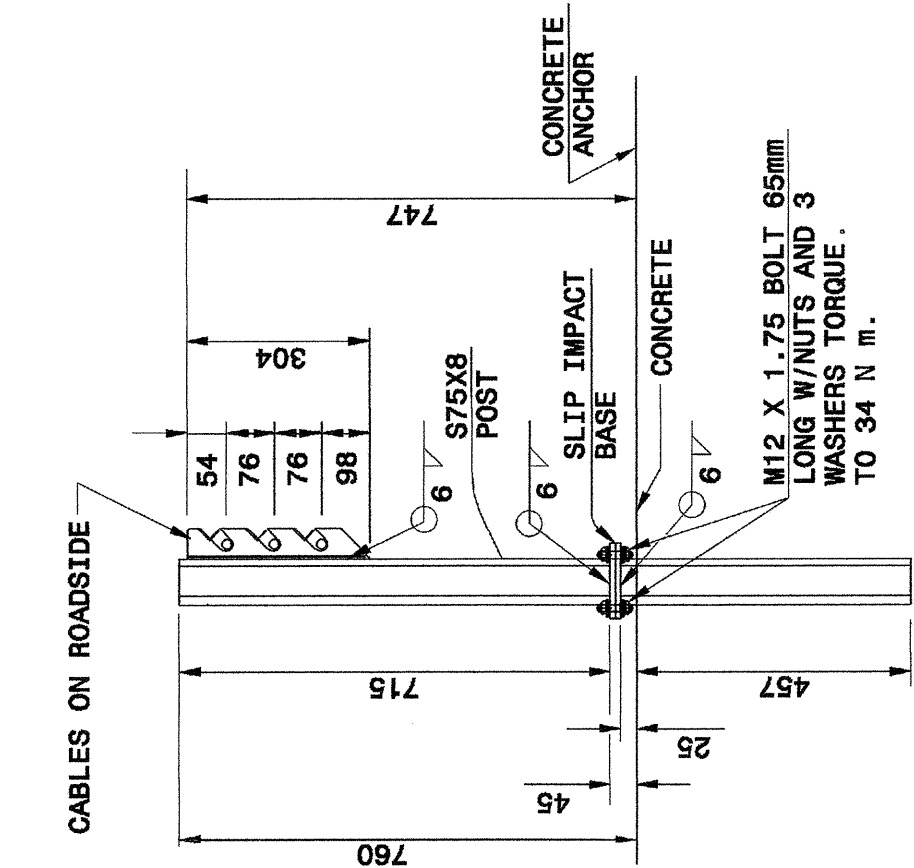
SHEET 7 OF 11
865D01



SIDE VIEW OF POST TOP
 (ROAD SIDE)



FRONT VIEW OF POST TOP
 (ROAD SIDE)



SLIP IMPACT BASE
 (KEEPER PLATE NOT SHOWN)

Note:
 This drawing is dimensioned in
 millimeters unless otherwise
 depicted within the drawing.

STATE OF
 NORTH CAROLINA
 DEPT. OF TRANSPORTATION
 DIVISION OF HIGHWAYS
 RALEIGH, N.C.

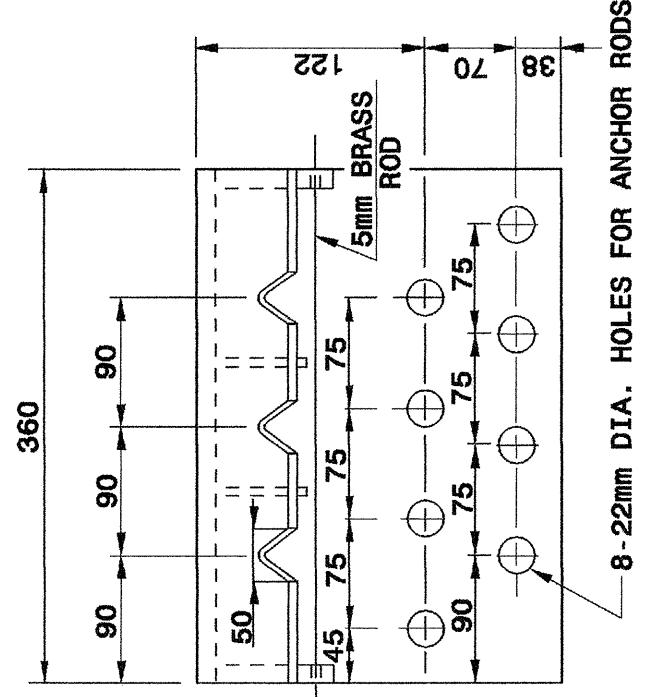
METRIC DETAIL DRAWING FOR
CABLE GUIDERAIL
 ANCHOR DETAILS

SHEET 8 OF 11
865D01

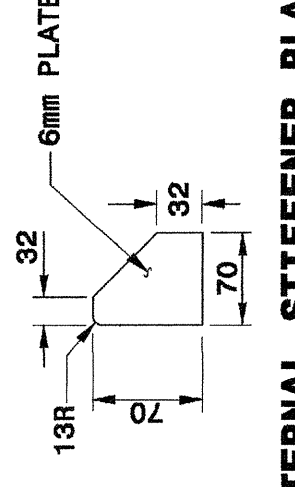
STATE OF
 NORTH CAROLINA
 DEPT. OF TRANSPORTATION
 DIVISION OF HIGHWAYS
 RALEIGH, N.C.

METRIC DETAIL DRAWING FOR
CABLE GUIDERAIL
 ANCHOR DETAILS

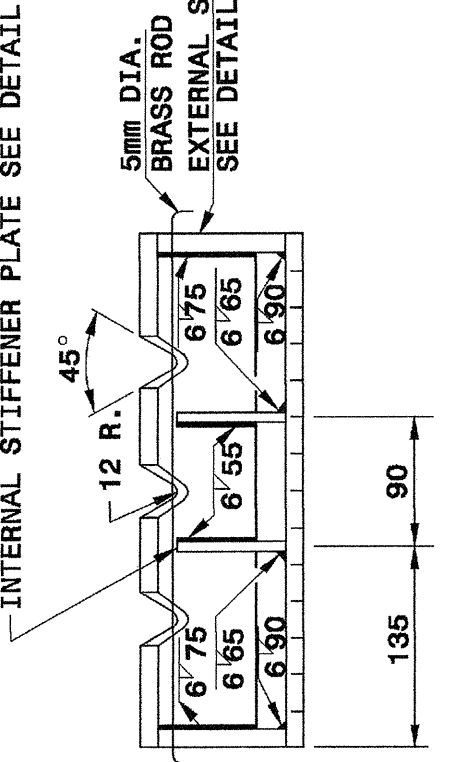
SHEET 8 OF 11
865D01



EXTERNAL STIFFENER PLATE



INTERNAL STIFFENER PLATE



ANCHOR ANGLE DETAILS

NOTE: SUBMIT ALTERNATE METHODS OF FABRICATING
 ANCHOR ANGLES FOR APPROVAL.

BREAKAWAY ANCHOR ANGLE

Note:
 This drawing is dimensioned in
 millimeters unless otherwise
 depicted within the drawing.

PROJECT REFERENCE NO. R-0513C SHEET NO. 2-QQ



DESIGN SERVICES UNIT
 STANDARDS AND SPECIAL DESIGN
 Office 919-250-4128 FAX 919-250-4119

SEE PLATE FOR TITLE

ORIGINAL BY: 2002 STANDARDS DATE: 1-15-02
 MODIFIED BY: E.E. WARD DATE: 4-07-04
 CHECKED BY: DATE:
 FILE SPEC.: /usr/std/02stds to details/metric/865d01/0865d01.dgn