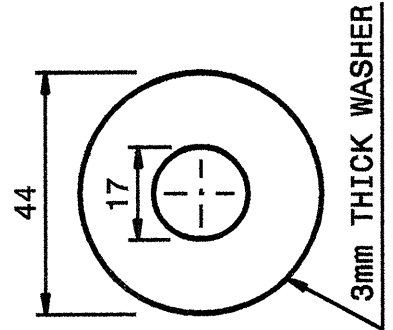
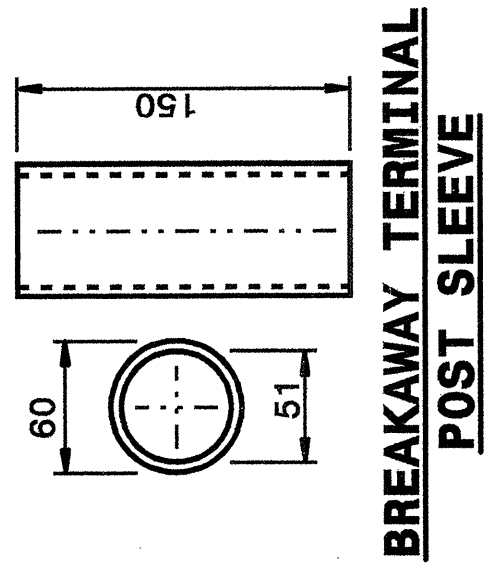


20-MAY-2003 07:54
 W:\Special\details\ereward\stds\02\stds to Special\Details\metric\86202\0862d02m.dgn
 .tspell AT 05194510

STATE OF
 NORTH CAROLINA
 DEPT. OF TRANSPORTATION
 DIVISION OF HIGHWAYS
 RALEIGH, N.C.

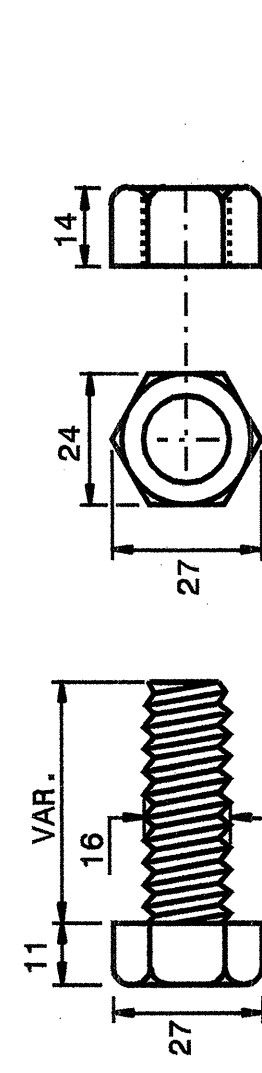
METRIC DETAIL DRAWING FOR
GUARDRAIL INSTALLATION

SHEET 5 OF 7
862D02

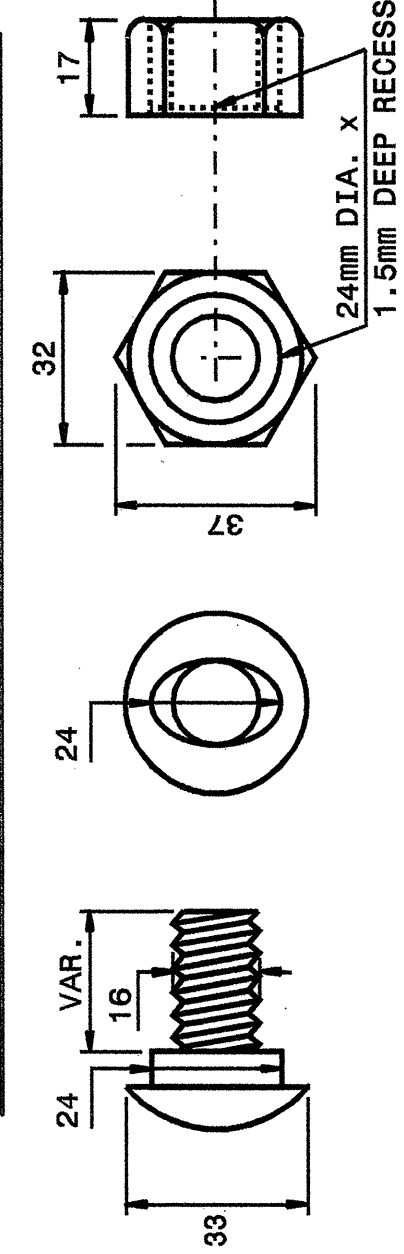


DETAIL OF STANDARD WASHER

STANDARD WASHER: TYPICAL USE UNDER NUT WITH WOOD POST



DETAIL OF BUTTON HEAD BOLT AND NUT

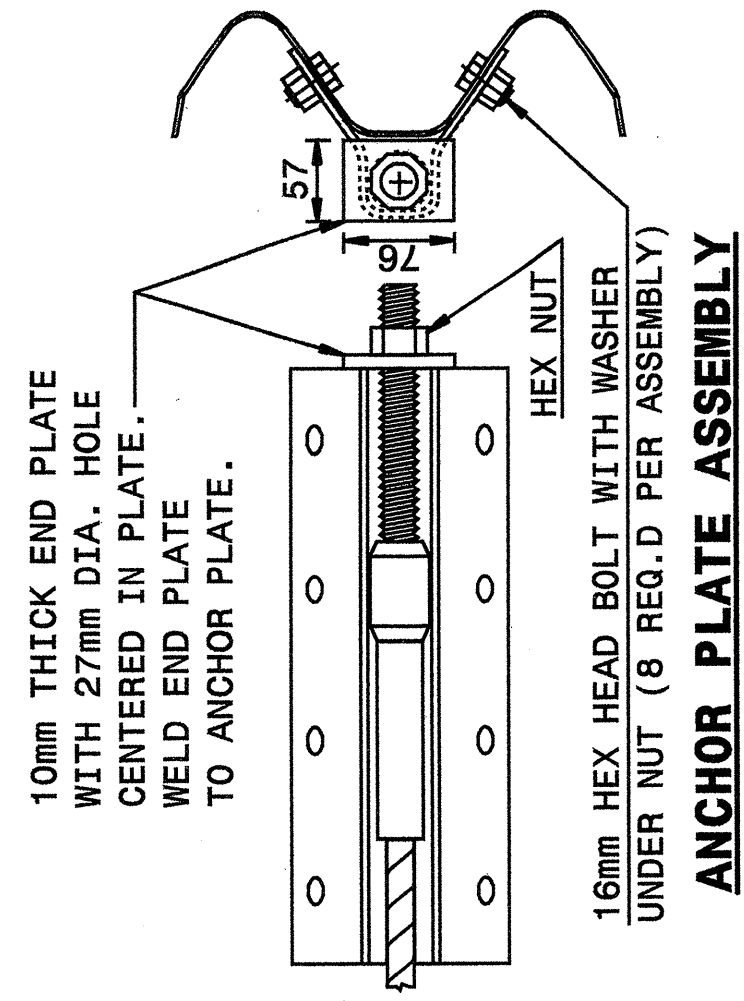


Note:
 This drawing is dimensioned in millimeters unless otherwise depicted within the drawing.

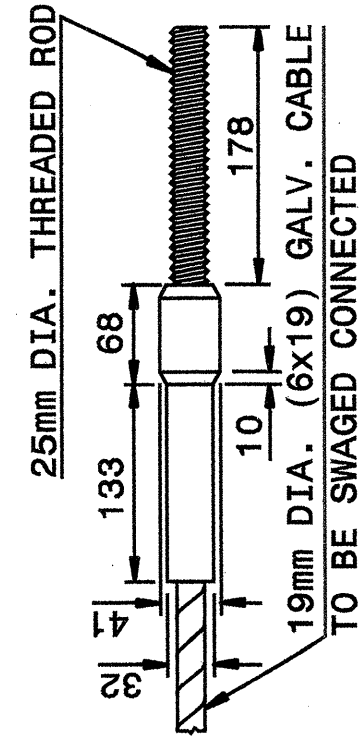
STATE OF
 NORTH CAROLINA
 DEPT. OF TRANSPORTATION
 DIVISION OF HIGHWAYS
 RALEIGH, N.C.

METRIC DETAIL DRAWING FOR
GUARDRAIL INSTALLATION

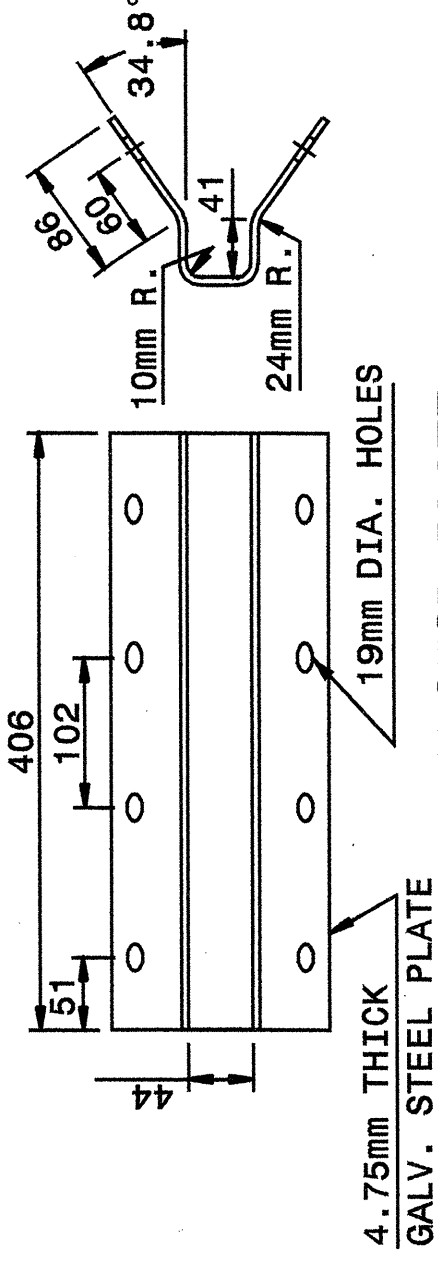
SHEET 5 OF 7
862D02



16mm HEX HEAD BOLT WITH WASHER UNDER NUT (6 REQ.D PER ASSEMBLY)



ANCHOR PLATE

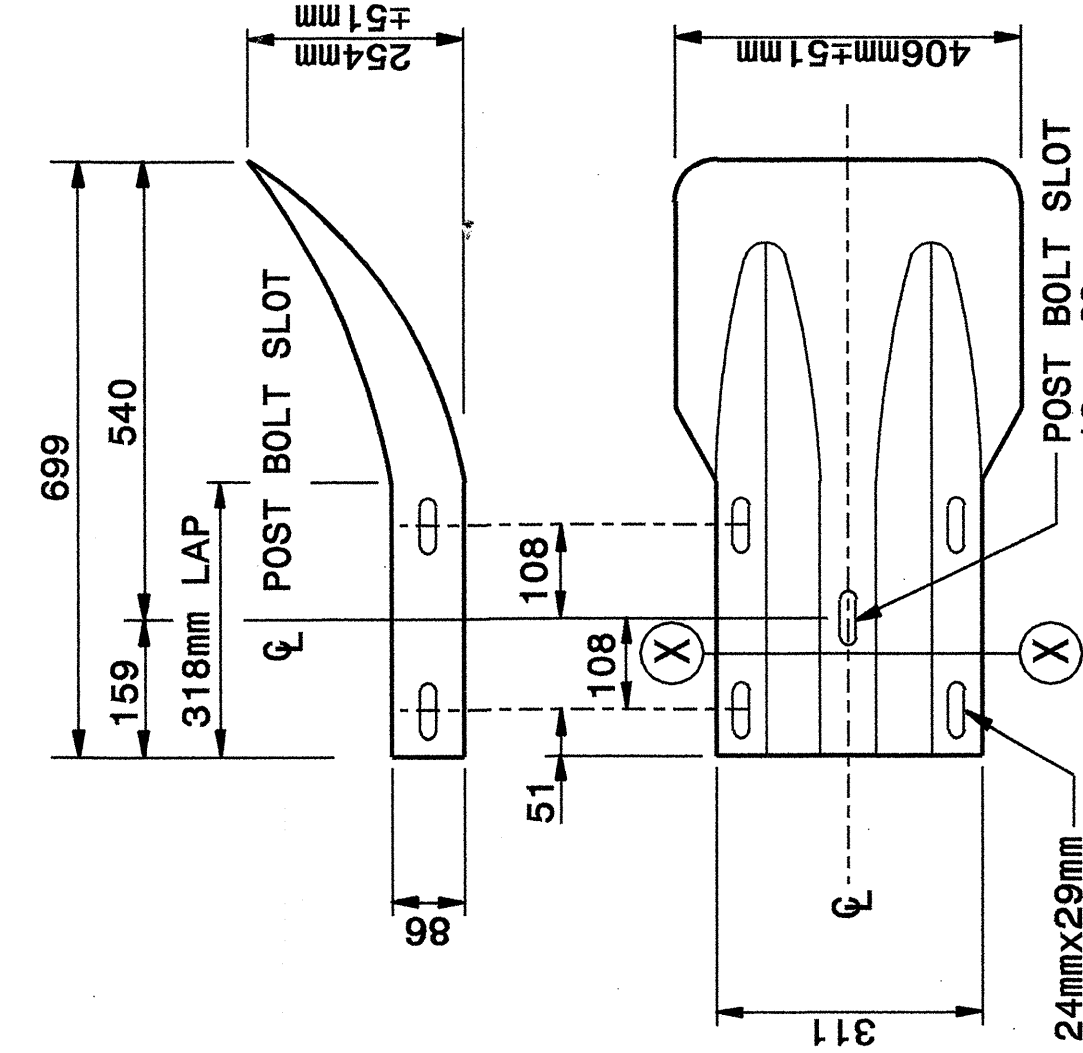
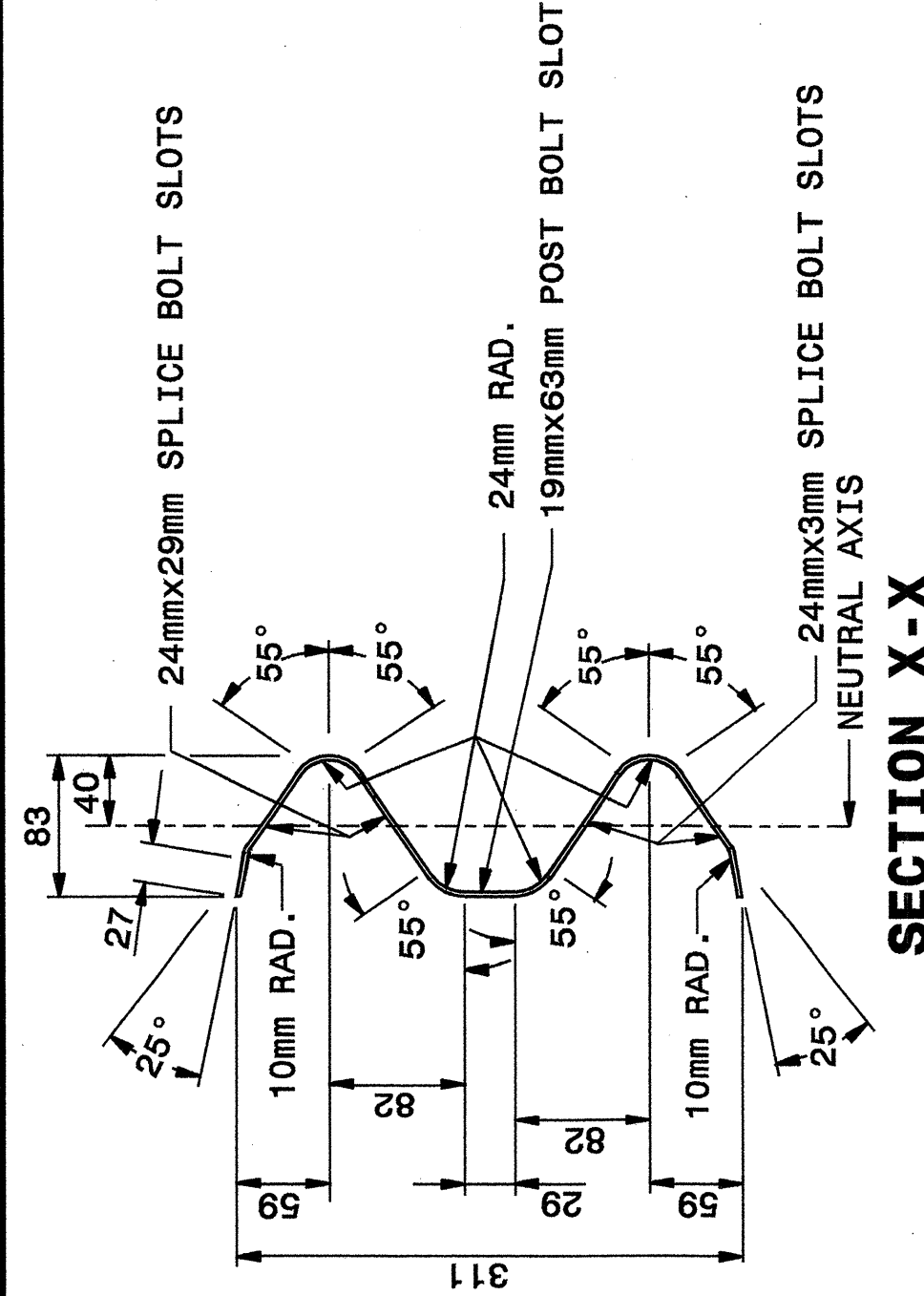


SYSTEM PARTS

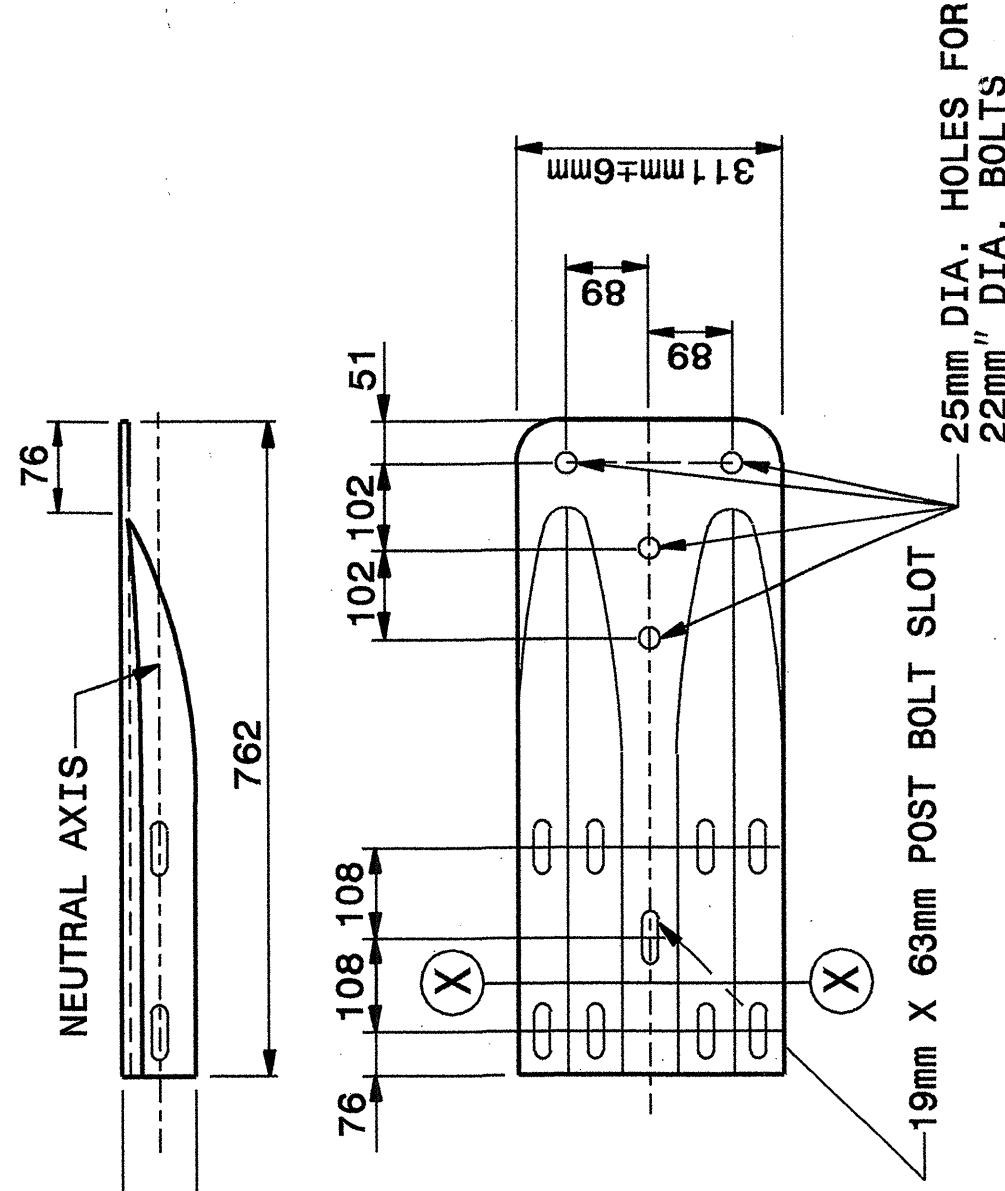
STATE OF
 NORTH CAROLINA
 DEPT. OF TRANSPORTATION
 DIVISION OF HIGHWAYS
 RALEIGH, N.C.

METRIC DETAIL DRAWING FOR
GUARDRAIL INSTALLATION

SHEET 6 OF 7
862D02



Note:
 This drawing is dimensioned in millimeters unless otherwise depicted within the drawing.



SYSTEM PARTS - GENERAL USE

STATE OF
 NORTH CAROLINA
 DEPT. OF TRANSPORTATION
 DIVISION OF HIGHWAYS
 RALEIGH, N.C.

METRIC DETAIL DRAWING FOR
GUARDRAIL INSTALLATION

SHEET 6 OF 7
862D02

DESIGN SERVICES UNIT
STANDARDS AND SPECIAL DESIGN
 Office 919-250-4128 FAX 919-250-4119

SEE PLATE FOR TITLE

ORIGINAL BY: 2002 STD.862.02 DATE:
 MODIFIED BY: E.E. WARD DATE: 02-09-03
 CHECKED BY: DATE: 5-03
 FILE SPEC.: Jusr/stds/02todet/1/metric/86202/862d02m.dgn

