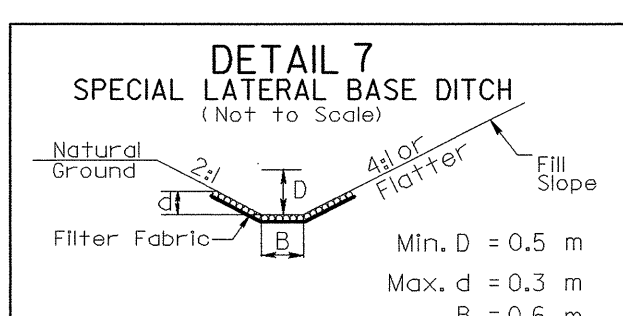
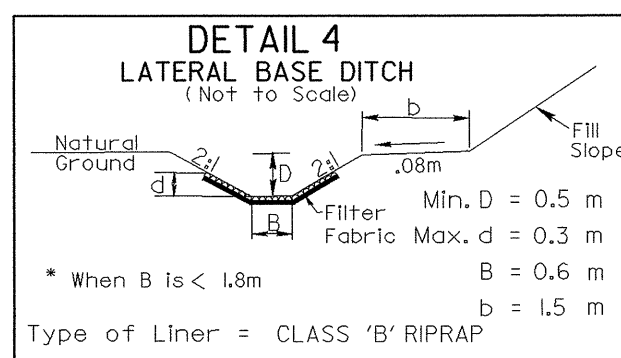


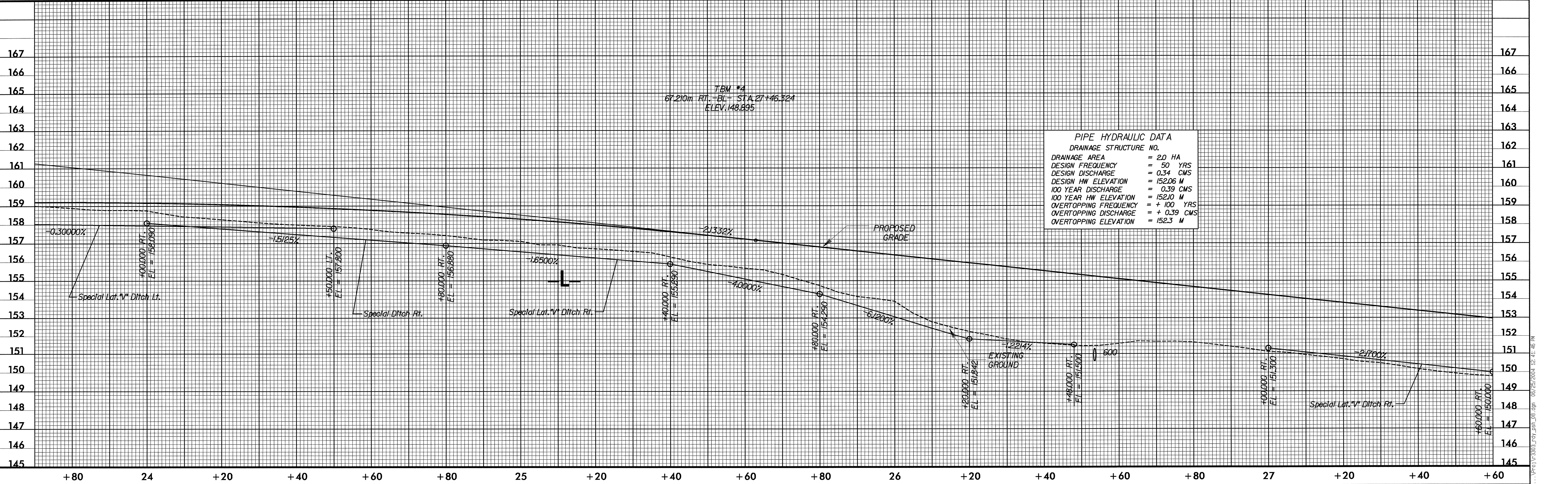
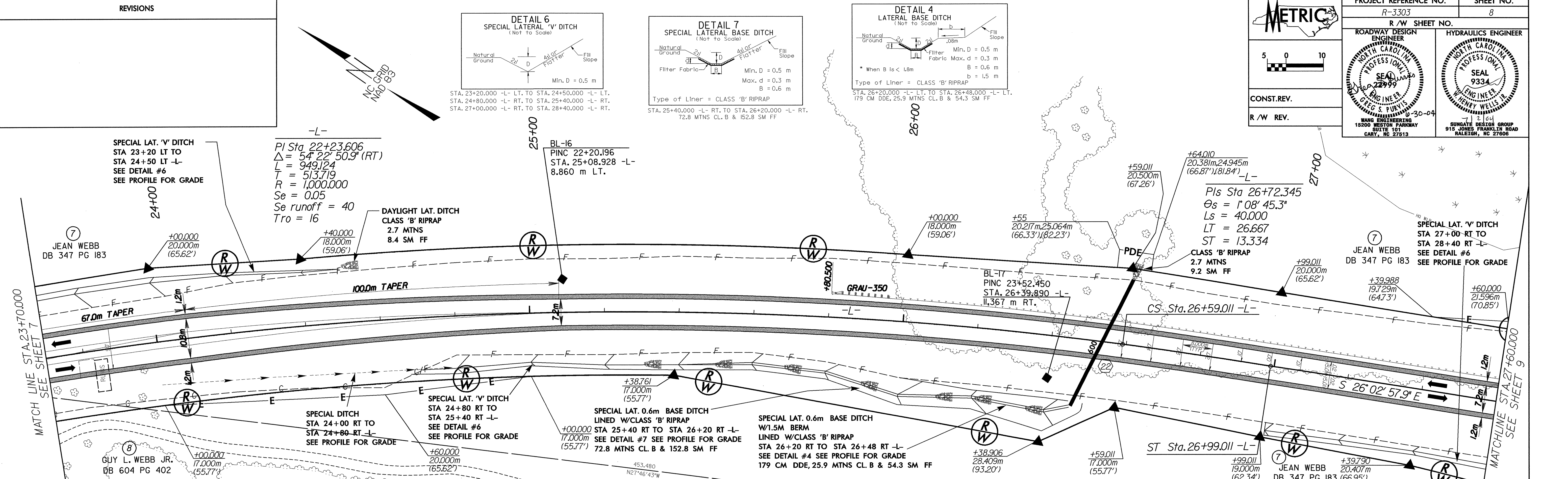
STA. 23+20.000 -L- LT. TO STA. 24+50.000 -L- LT.
 STA. 24+80.000 -L- RT. TO STA. 25+40.000 -L- RT.
 STA. 27+00.000 -L- RT. TO STA. 28+40.000 -L- RT.



STA. 25+40.000 -L- RT. TO STA. 26+20.000 -L- RT.
 72.8 MTNS CL. B & 152.8 SM FF



STA. 26+20.000 -L- LT. TO STA. 26+48.000 -L- LT.
 179 CM DDE, 25.9 MTNS CL. B & 54.3 SM FF



| PIPE HYDRAULIC DATA | |
|------------------------|-------------|
| DRAINAGE STRUCTURE NO. | |
| DRAINAGE AREA | = 20 HA |
| DESIGN FREQUENCY | = 50 YRS |
| DESIGN DISCHARGE | = 0.34 CMS |
| DESIGN HW ELEVATION | = 152.06 M |
| 100 YEAR DISCHARGE | = 0.39 CMS |
| 100 YEAR HW ELEVATION | = 152.10 M |
| OVERTOPPING FREQUENCY | = +100 YRS |
| OVERTOPPING DISCHARGE | = +0.39 CMS |
| OVERTOPPING ELEVATION | = 152.3 M |