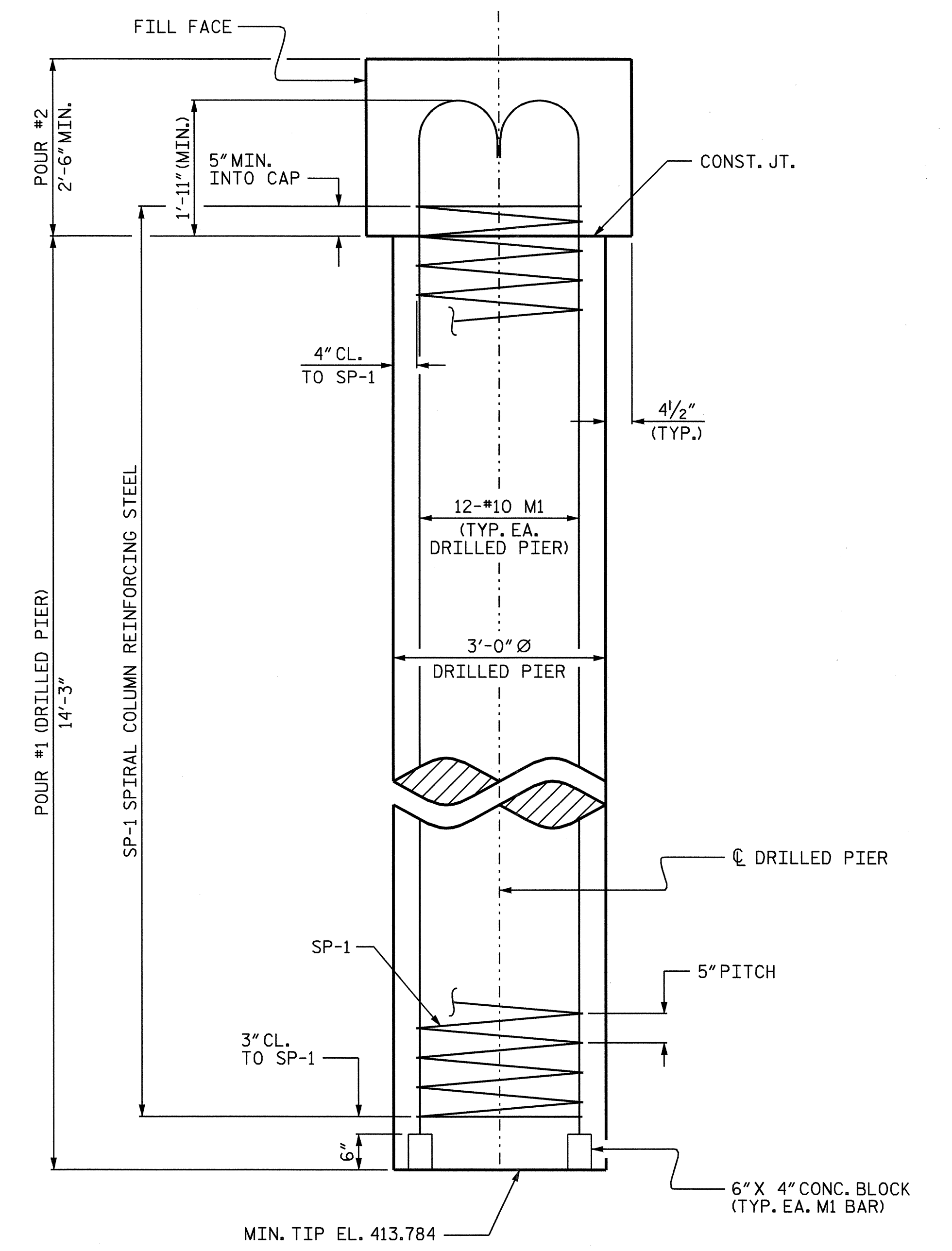


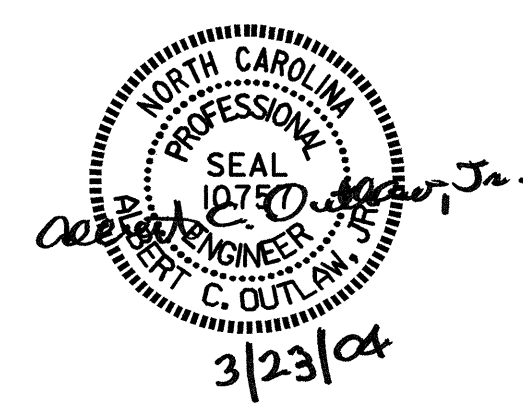
PLAN OF DRILLED PIERS
 (DIMENSIONS & REINFORCING STEEL ARE TYPICAL FOR EACH DRILLED PIER)



END ELEVATION
 (TYP. EA. DRILLED PIER)

PROJECT NO. B-3885
ORANGE COUNTY
 STATION: 17+75.00 -L-
 SHEET 3 OF 4

STATE OF NORTH CAROLINA DEPARTMENT OF TRANSPORTATION RALEIGH						SHEET NO. S-21
SUBSTRUCTURE END BENT No. 1						
REVISIONS						TOTAL SHEETS 33
NO.	BY:	DATE:	NO.	BY:	DATE:	
1			3			
2			4			



DRAWN BY: P.C. BREWER DATE: 1/20/04
 CHECKED BY: S.B. WILLIAMS DATE: 1/29/04

22-MAR-2004 14:41
 W:\squad\b3885\pbrewer\Microrstation\B3885.sd.EB1.01.dgn
 outflow