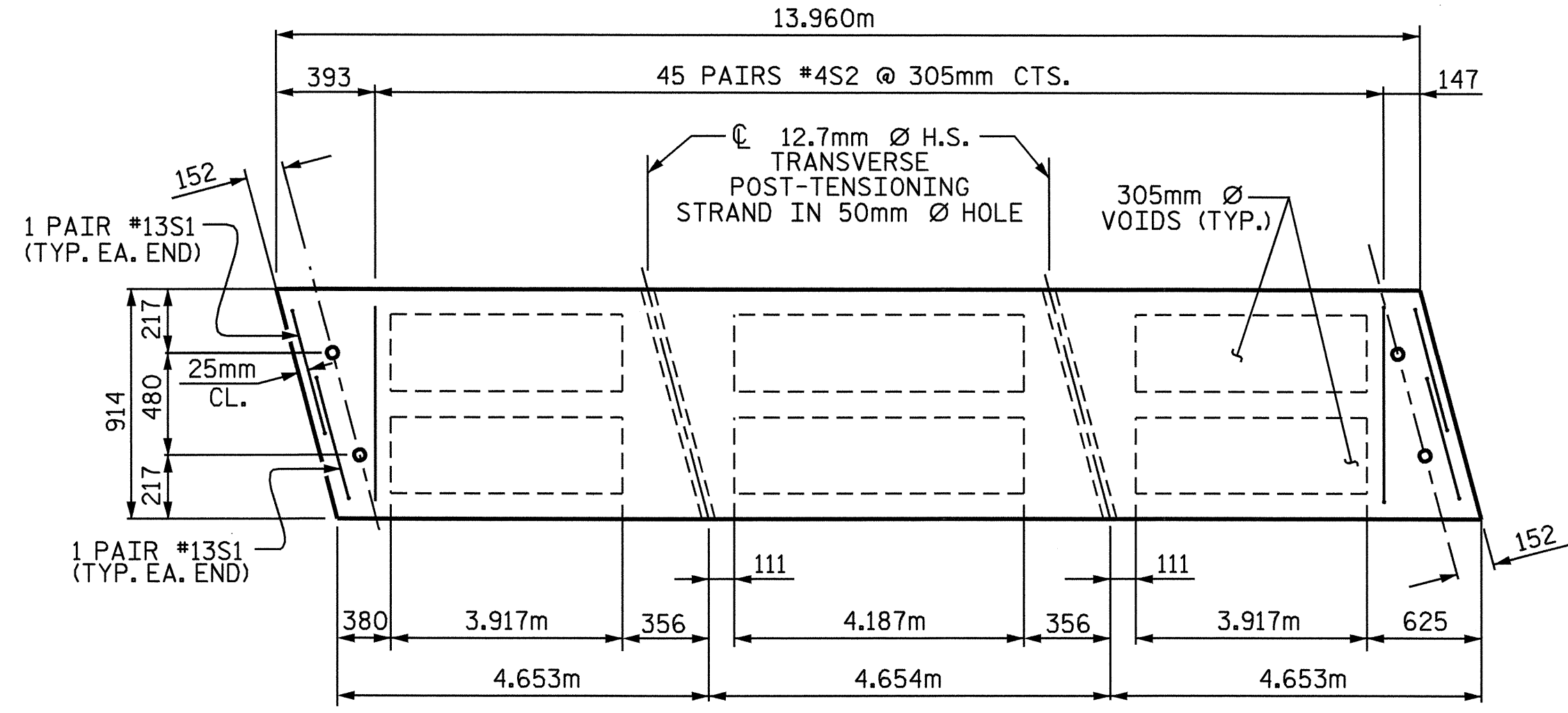
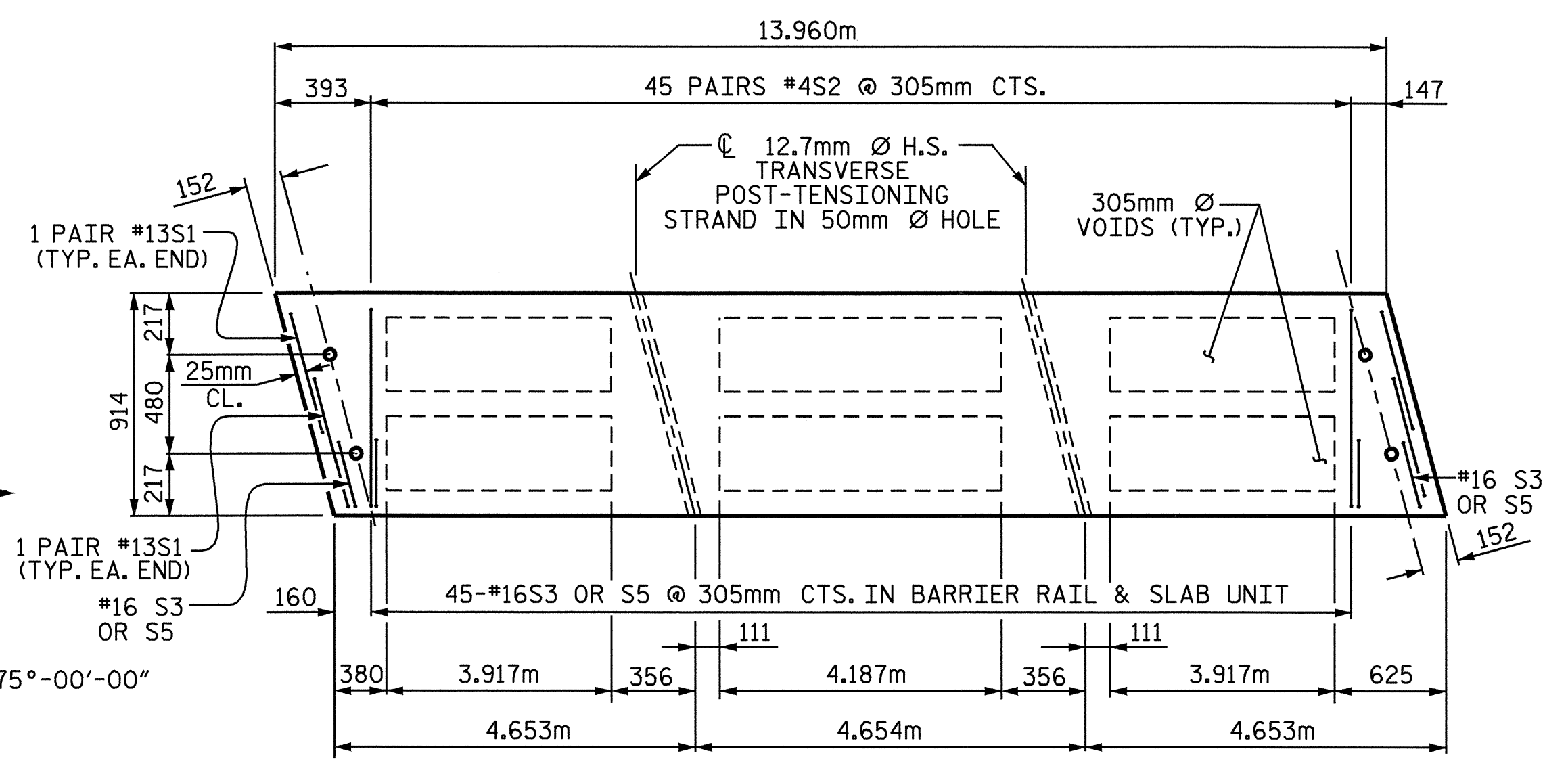


PLAN OF SPAN "B"

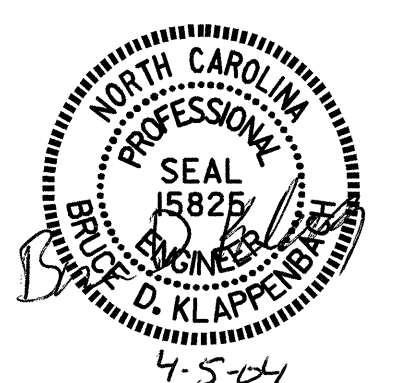


PLAN OF INTERIOR CORED SLAB UNIT



PLAN OF EXTERIOR CORED SLAB UNIT

DRAWN BY : M. G. SHAIKH DATE : 3-9-03
 CHECKED BY : D. A. GLADDEN DATE : 4-28-03



PROJECT NO. R-2514A
 ONSLOW COUNTY
 STATION: 182+87.400-L-MED

SHEET 3 OF 5

STATE OF NORTH CAROLINA
 DEPARTMENT OF TRANSPORTATION
 RALEIGH
 SUPERSTRUCTURE
 PLAN OF SPAN "B"
 (LEFT LANE)

REVISIONS						SHEET NO.
NO.	BY:	DATE:	NO.	BY:	DATE:	S-6
1			3			TOTAL SHEETS
2			4			46

STR. #1