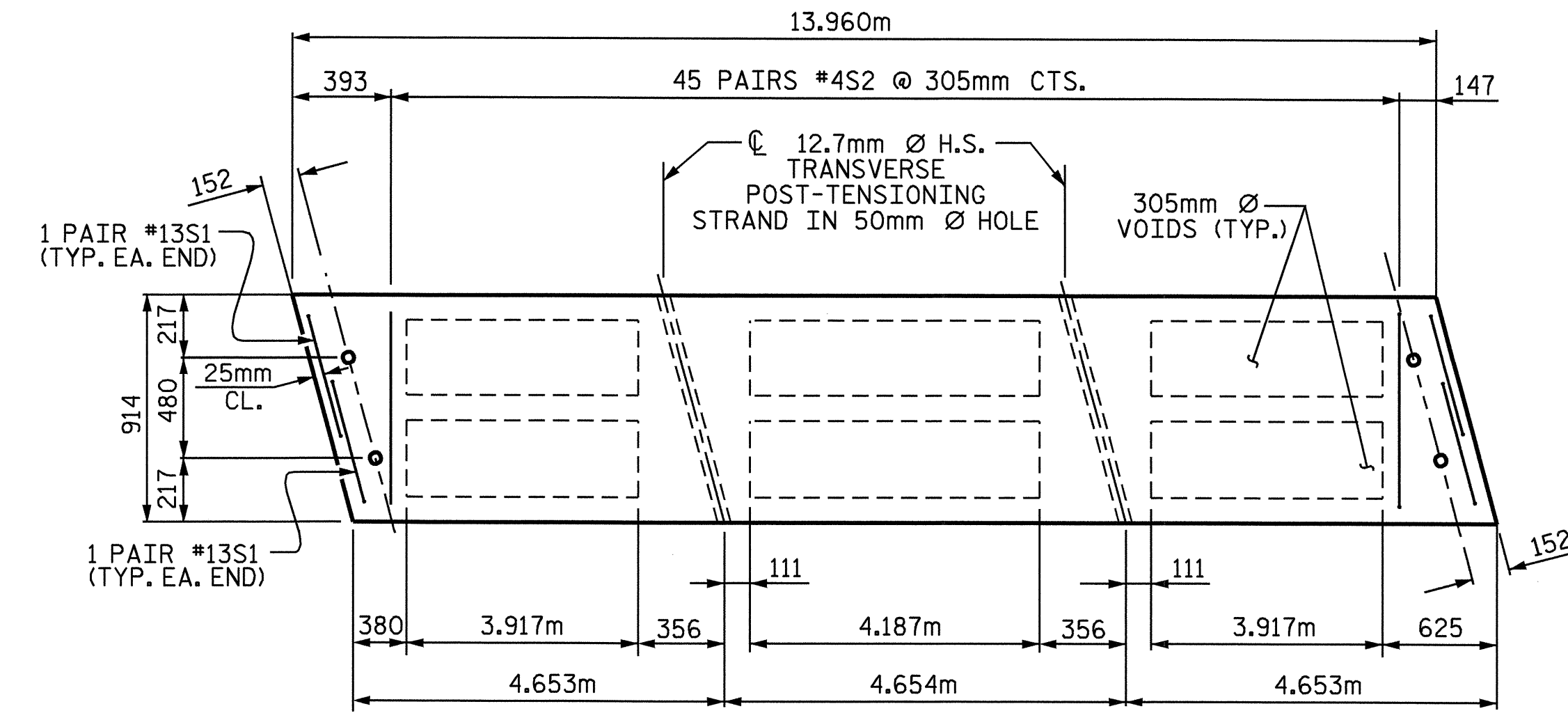
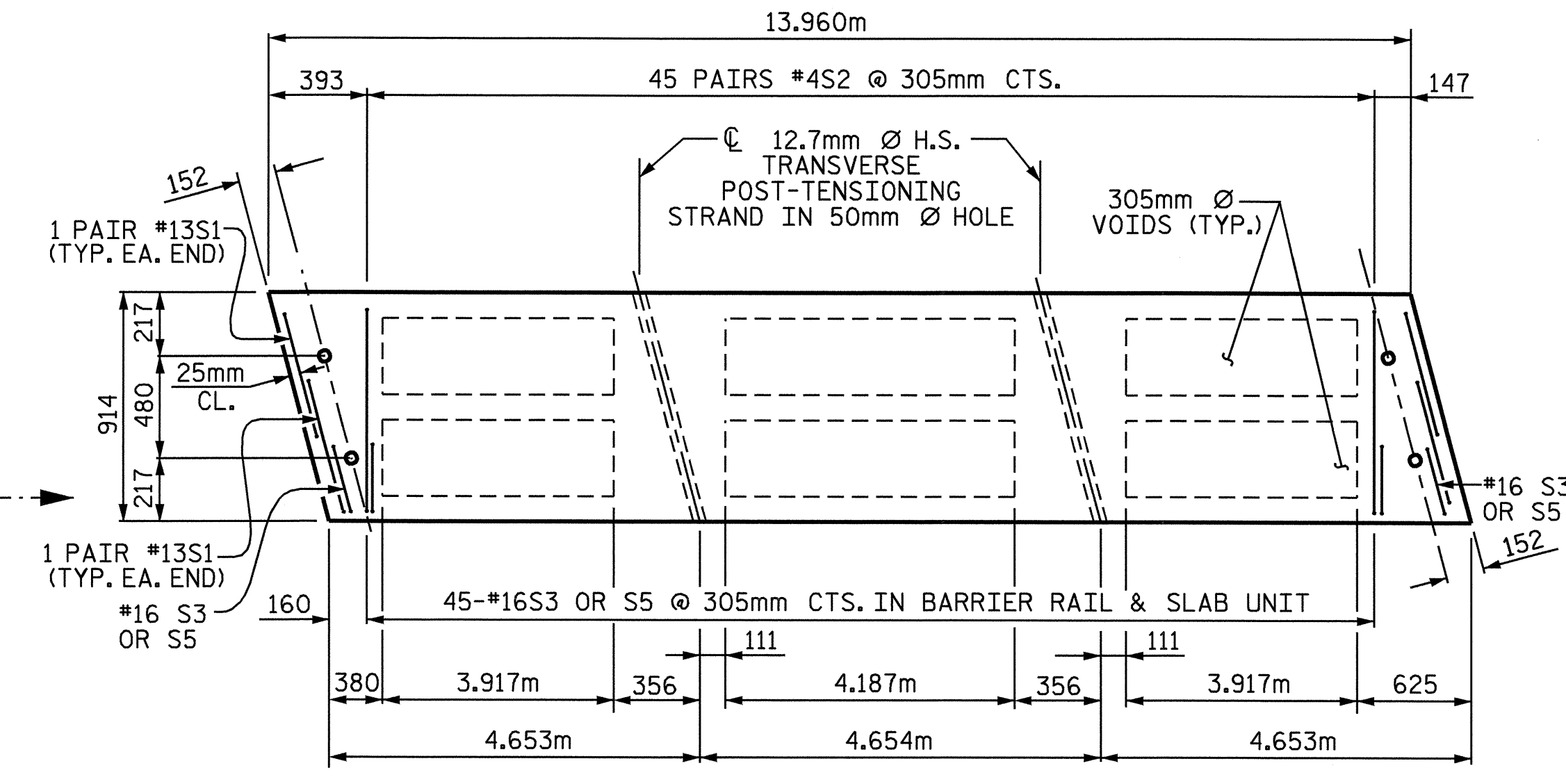


PLAN OF SPAN "C"



PLAN OF INTERIOR CORED SLAB UNIT



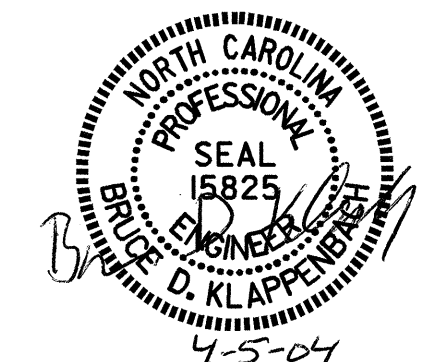
PLAN OF EXTERIOR CORED SLAB UNIT

PROJECT NO. R-2514A
ON SLOW COUNTY
STATION: 182+87.400-L-MED

SHEET 4 OF 5

STATE OF NORTH CAROLINA
DEPARTMENT OF TRANSPORTATION
RALEIGH

SUPERSTRUCTURE
PLAN OF SPAN "C"
(LEFT LANE)



DRAWN BY: M. G. SHAIKH DATE: 3-9-03
CHECKED BY: D. A. GLADDEN DATE: 4-28-03

REVISIONS					SHEET NO. S-7 TOTAL SHEETS 46
NO.	BY:	DATE:	NO.	DATE:	
1			3		
2			4		